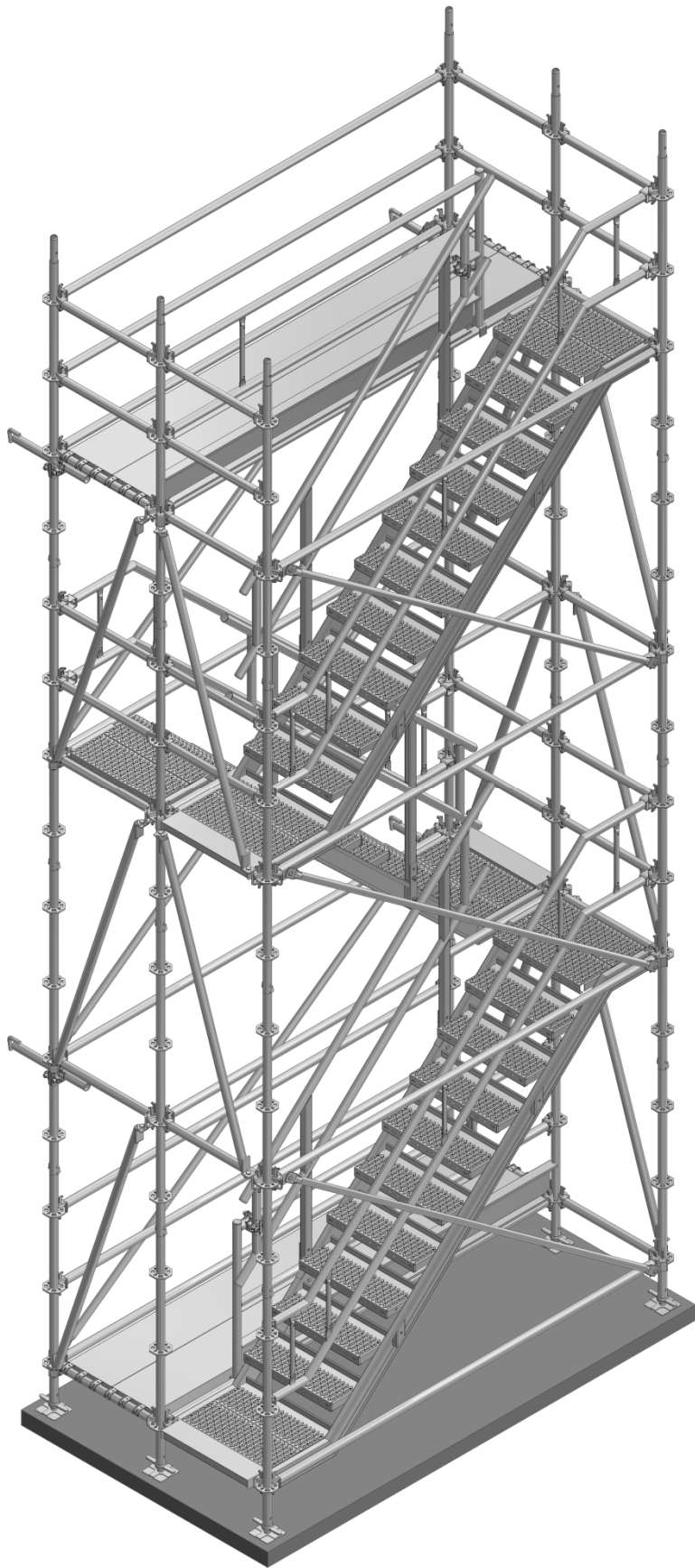


 **MARCEGAGLIA**



SM8 -STAIRCASE 660x3000

REV.3

SUMMARY

NOTES	2
1. Elements	3
2. SM8 - STAIRCASE 660x3000mm FOR SCAFFOLDING - STEEL RAMP	17
2.1 <i>Details for last landing staircase height: from 2,34 metres to 20,34 metres</i>	17
2.2 <i>Details for last landing staircase height: from: 22,34 metres to 40,34 metres</i>	17
2.3 <i>Scheme</i>	18
3. SM8 - STAIRCASE 660x3000mm - STEEL RAMP	19
3.1 <i>Details for last landing staircase height: from 2,34 metres to 20,34 metres</i>	19
3.2 <i>Details for last landing staircase height: from 22,34 metres to 40,34 metres</i>	19
3.3 <i>Scheme</i>	20
4. SM8 - STAIRCASE 660x3000mm FOR SCAFFOLDING - ALUMINIUM RAMP	21
4.1 <i>Details for last landing staircase height: from 2,34 metres to 20,34 metres</i>	21
4.2 <i>Details for last landing staircase height: from da metri 22,34 to 40,34 metres</i>	21
5. SM8 - STAIRCASE 660x3000mm - ALUMINIUM RAMP	22
5.1 <i>Details for last landing staircase height: from 2,34 metres to 20,34 metres</i>	22
5.2 <i>Details for last landing staircase height: from 22,34 metres to 40,34 metres</i>	22

NOTE GENERALI

The staircase fro scaffolding and the staircase below are assembled in counter-clockwise.

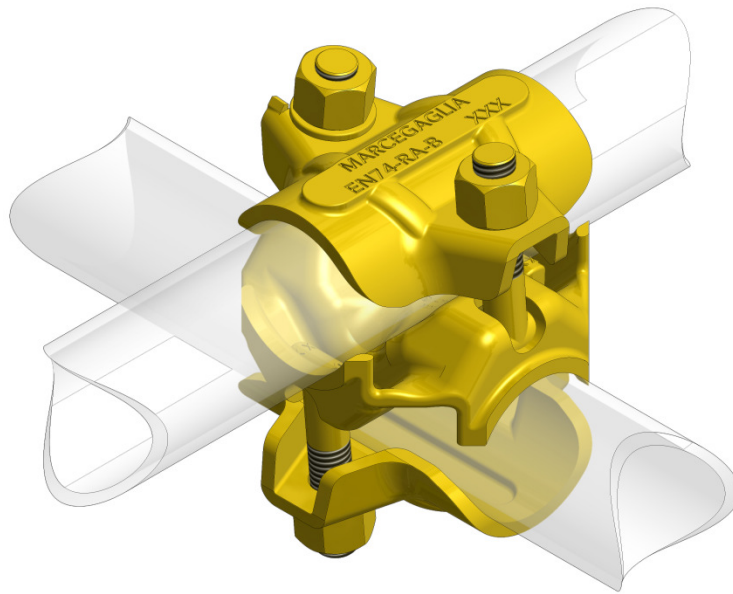
If you want to proceed in clockwise, these are the codes you must change:

CODE	DESCRIPTION		CODE	DESCRIPTION
3150202161	SM8, 660x3000 staircase tower right handrail, Z.C.	replaces	3150202041	SM8, 660x3000 staircase tower left handrail, Z.C.
3150202171	SM8, 660x3000 staircase tower lefttt handrail with clamp, Z.C.	replaces	3150202051	SM8, 660x3000 staircase tower right handrail with clamp, Z.C.

If you want to add a an intermediate landing in a staircase, you must add the following elements for each landing:

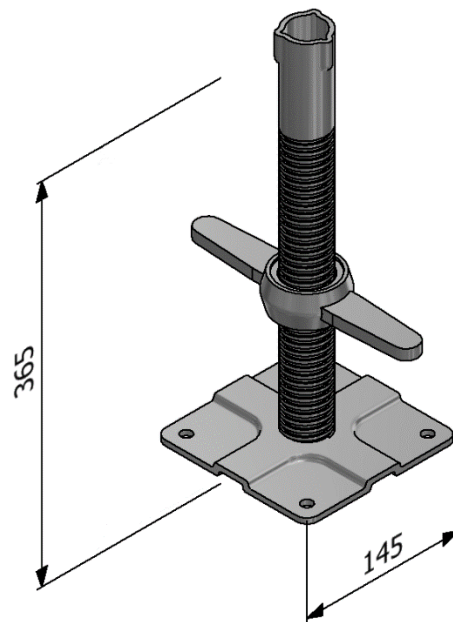
QUANTITY	CODE	DESCRIPTION
2	3150200541	SM8, ledger 3000 mm, Z.C.
1	3150202041	SM8, 660x3000 staircase tower left handrail, Z.C..

1. Elements



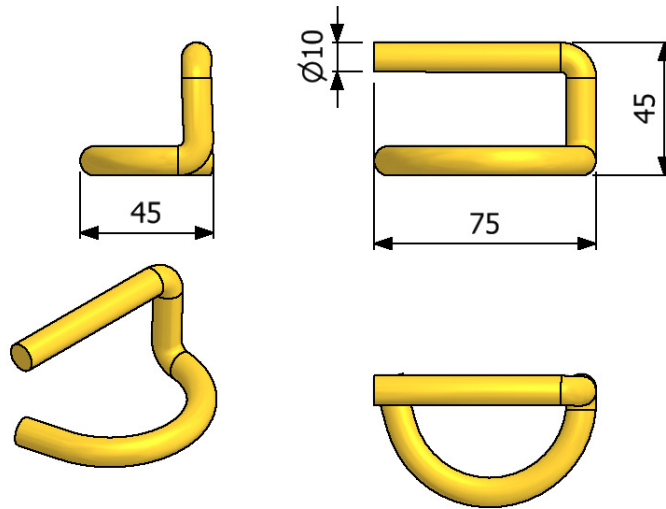
NOTE

CODE	ITALIAN DESCRIPTION	ENGLISH DESCRIPTION	WEIGHT T KG	NOTE
3020300006	GIUNTO ORTOGONALE D.48 MM 4 BUL. Z.TR.	4-bolts right angle coupler, Z.TR.	1,42	



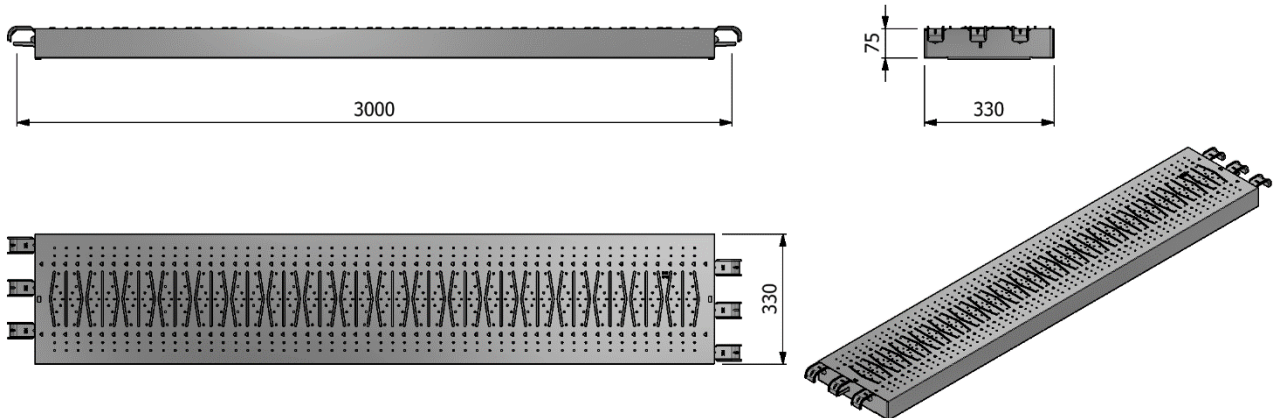
NOTE

CODE	ITALIAN DESCRIPTION	ENGLISH DESCRIPTION	WEIGHT KG	NOTE
3040501062	BASSETTA REGOLABILE 330 MM Z.EL.	330 mm adjustable base jack, Z.EL.	2,420	



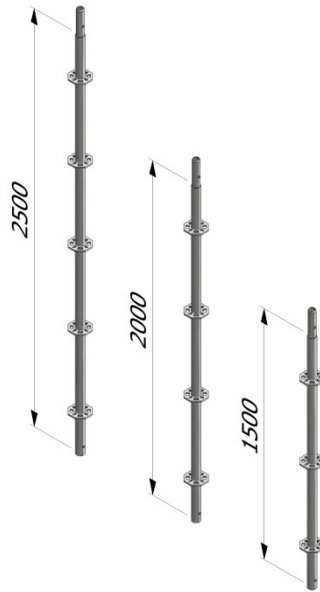
NOTE

CODE	ITALIAN DESCRIPTION	ENGLISH DESCRIPTION	WEIGHT T KG	NOTE
3040701006	SPINA D. 10 MM Z.TR.	10 mm diameter spigot pin, Z.TR.	0,120	



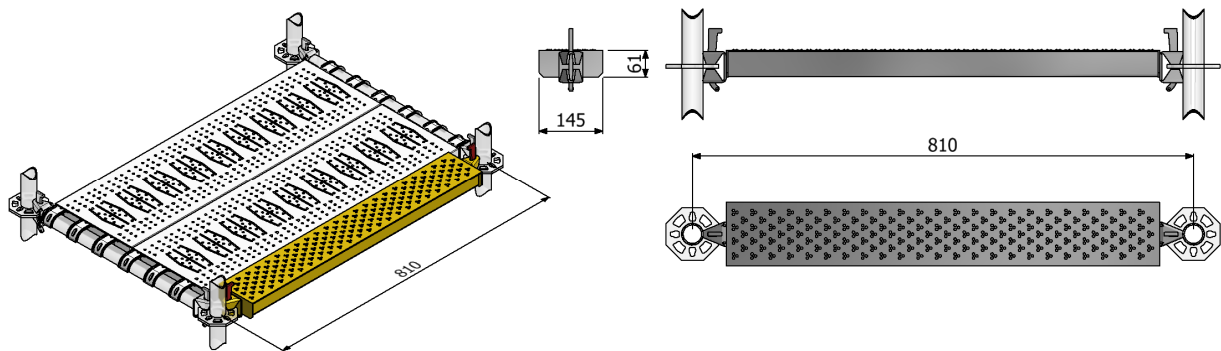
NOTE

CODE	ITALIAN DESCRIPTION	ENGLISH DESCRIPTION	WEIGHT KG	NOTE
3070102071	TAVOLA SECURDECK 330X3000X75 MM Z.S.	330x3000x75 mm SECURDECK steel plank, Z.S.	19,90	



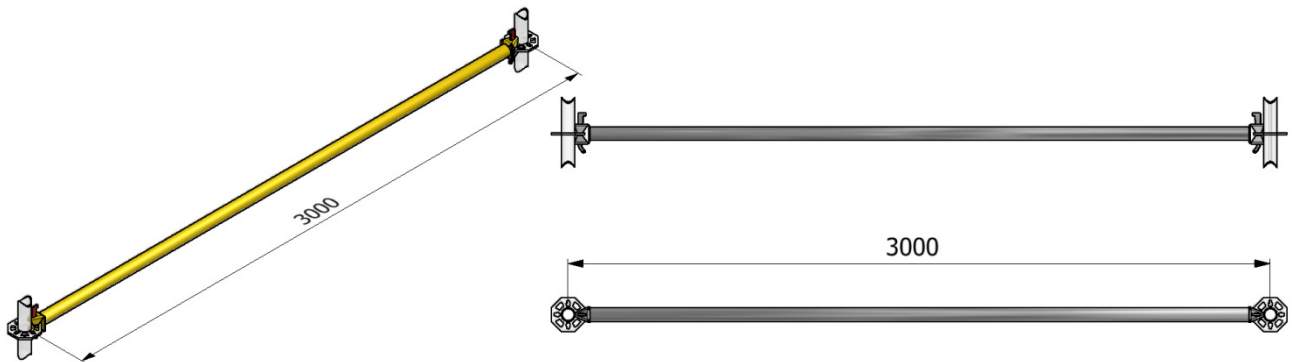
NOTE

CODE	ITALIAN DESCRIPTION	ENGLISH DESCRIPTION	WEIGHT T KG	NOTE
3150100121	SM8 MONTANTE 2500 MM - SPIN. 38X2 Z.C.	SM8, upright with pin 2500 mm, Z.C.	12,2	
3150100131	SM8 MONTANTE 2000 MM - SPIN. 38X2 Z.C.	SM8, upright with pin 2000 mm, Z.C.	9,86	
3150100141	SM8 MONTANTE 1500 MM - SPIN. 38X2 Z.C.	SM8, upright with pin 1500 mm, Z.C.	7,52	



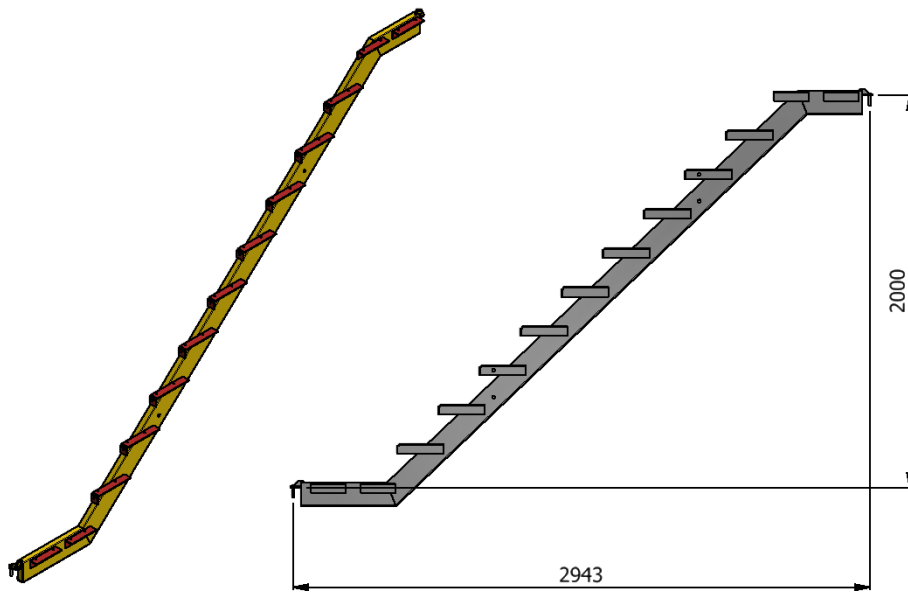
NOTE

CODE	ITALIAN DESCRIPTION	ENGLISH DESCRIPTION	WEIGHT KG	NOTE
3150200501	SM8 COMPENSO CON CLAMPA 810 MM Z.C.	SM8, steel decking filler 810 mm with clamp, Z.C.	5,09	



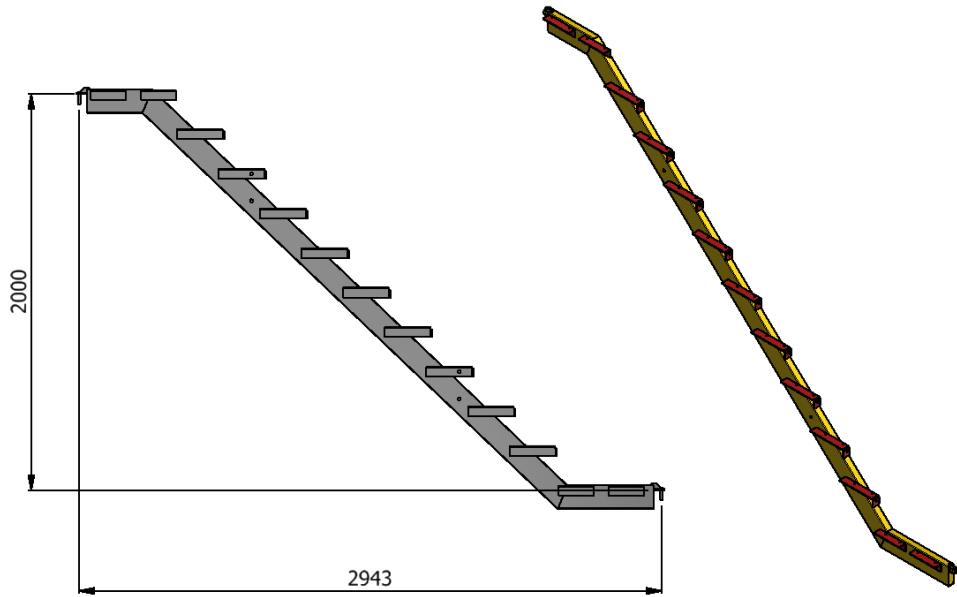
NOTE

CODE	ITALIAN DESCRIPTION	ENGLISH DESCRIPTION	WEIGHT T KG	NOTE
3150200541	SM8 CORRENTE DA 3000 MM Z.C.	SM8, ledger 3000 mm, Z.C.	11,88	



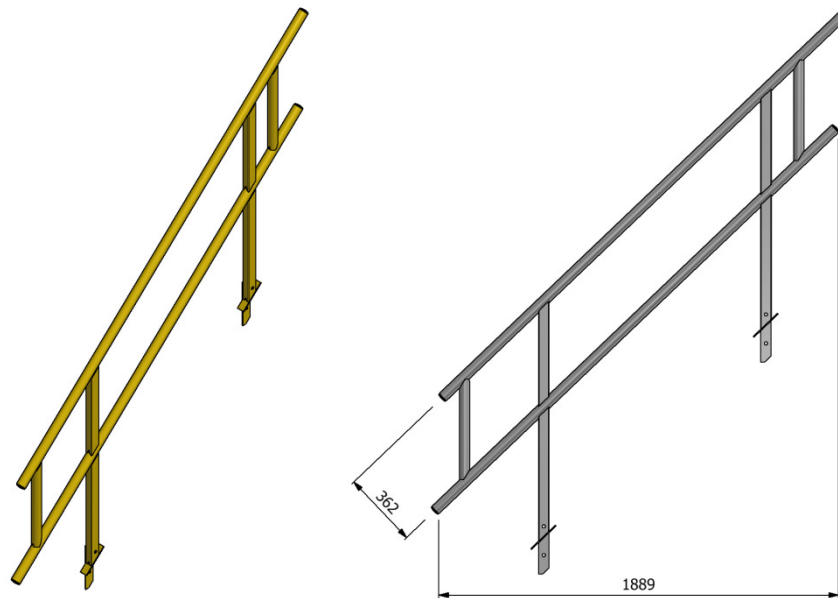
NOTE

CODE	ITALIAN DESCRIPTION	ENGLISH DESCRIPTION	WEIGHT KG	NOTE
3150202021	SM8 SCALA 660x3000 COSCIALE SX Z.C.	SM8, 660x3000 staircase tower left stringer, Z.C.	24,35	



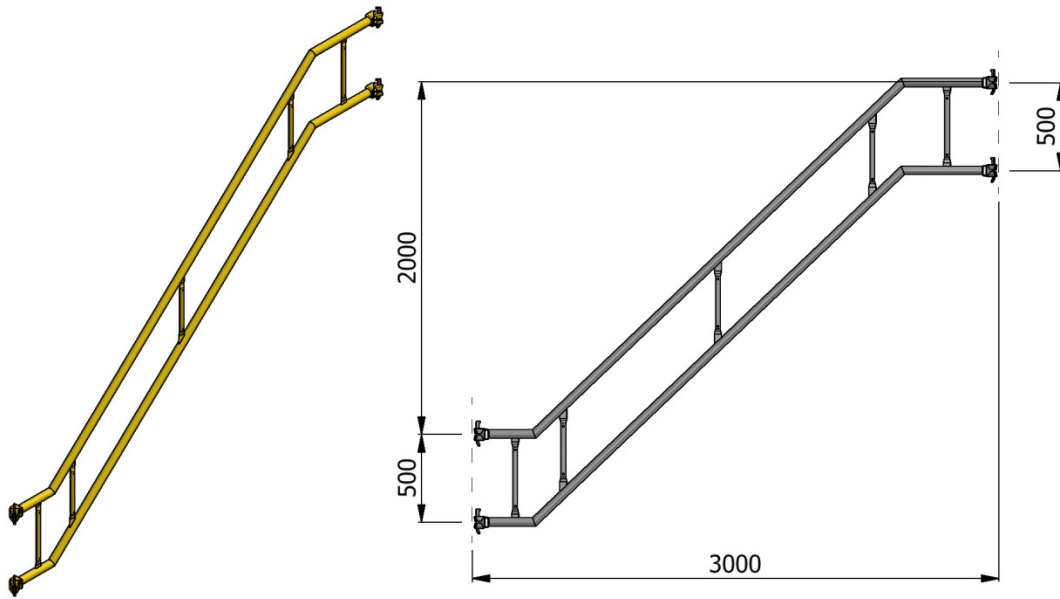
NOTE

CODE	ITALIAN DESCRIPTION	ENGLISH DESCRIPTION	WEIGHT T KG	NOTE
3150202031	SM8 SCALA 660x3000 COSCIALE DX Z.C.	SM8, 660x3000 staircase tower right stringer, Z.C.	24,35	



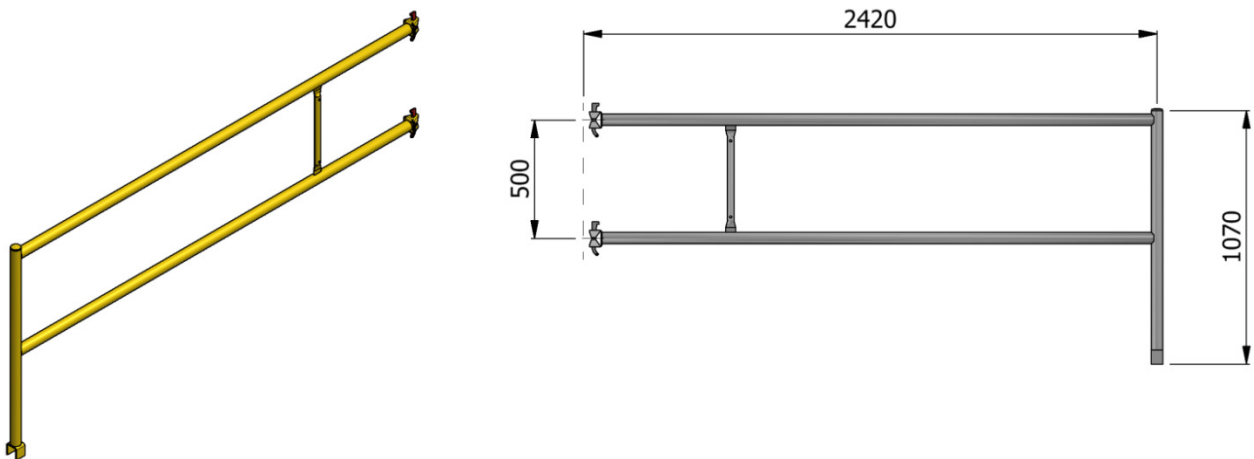
NOTE

CODE	ITALIAN DESCRIPTION	ENGLISH DESCRIPTION	WEIGHT KG	NOTE
3150202041	SM8 SCALA 660x3000 CORRIMANO SX Z.C.	SM8, 660x3000 staircase tower left handrail, Z.C.	22,15	



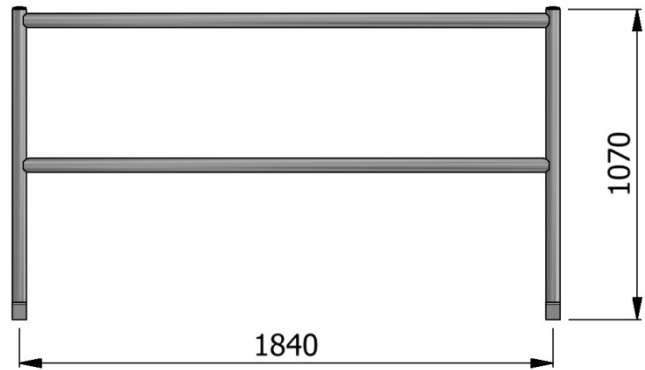
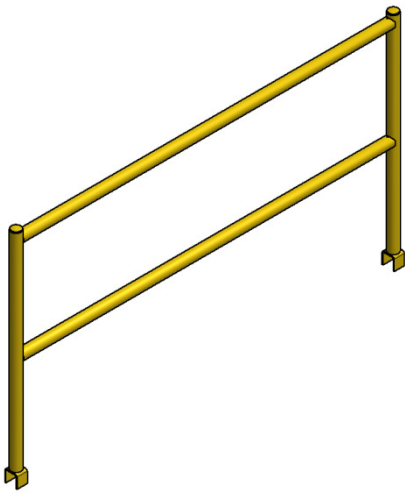
NOTE

CODE	ITALIAN DESCRIPTION	ENGLISH DESCRIPTION	WEIGHT T KG	NOTE
3150202051	SM8 SCALA 660x3000 CORR.CLAMPA DX Z.C.	SM8, 660x3000 staircase tower right handrail with clamp, Z.C.	21,70	



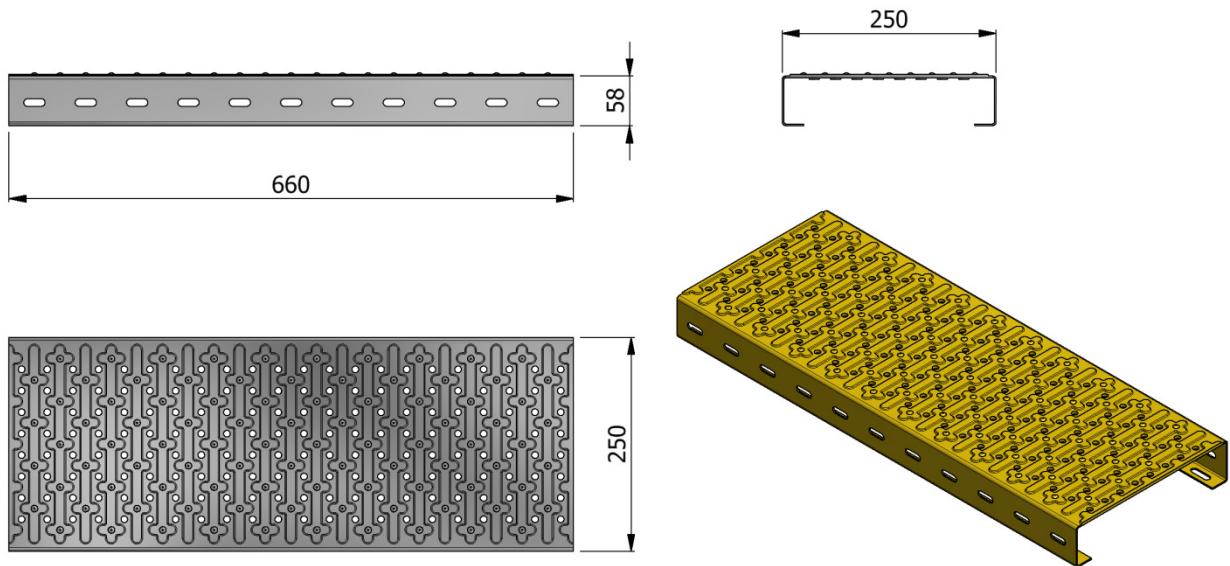
NOTE

CODE	ITALIAN DESCRIPTION	ENGLISH DESCRIPTION	WEIGHT KG	NOTE
3150202061	SM8 SCALA 660x3000 CORR.INT. TIPO 1 Z.C.	SM8, 660x3000 staircase tower type 1 internal handrail, Z.C.	15,70	



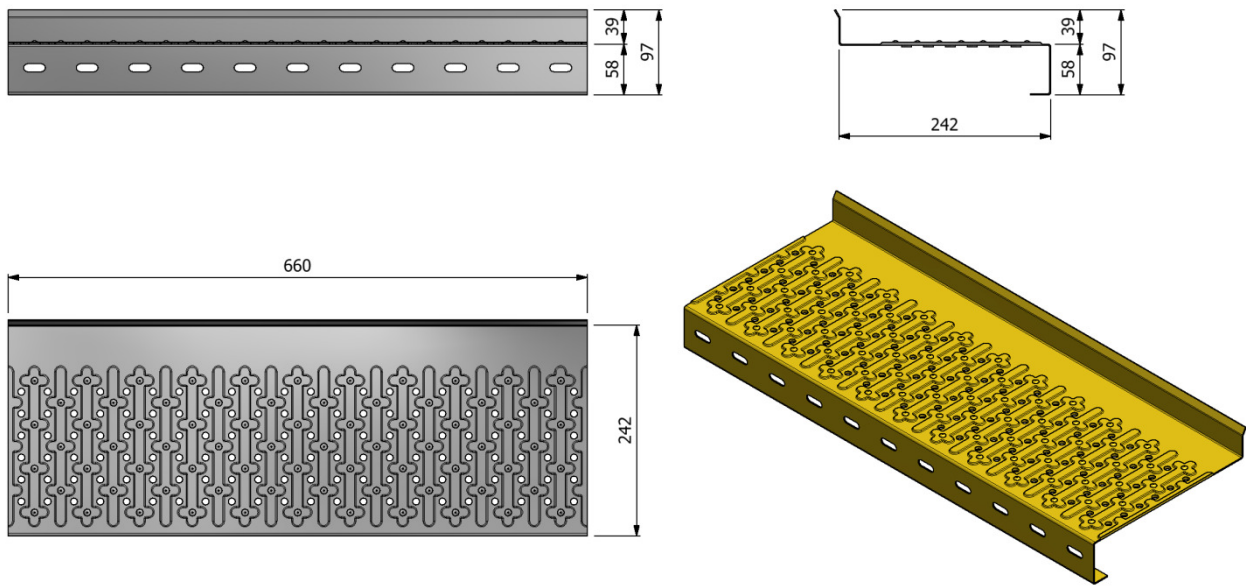
NOTE

CODE	ITALIAN DESCRIPTION	ENGLISH DESCRIPTION	WEIGHT T KG	NOTE
3150202071	SM8 SCALA 660x3000 CORR.INT. TIPO 2 Z.C.	SM8, 660x3000 staircase tower type 2 internal handrail, Z.C.	14,22	



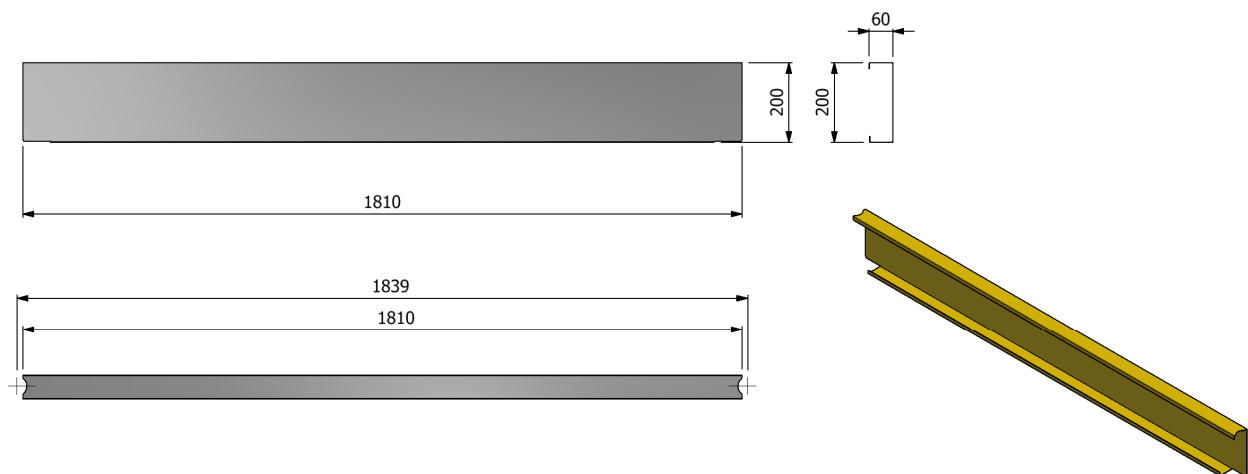
NOTE

CODE	ITALIAN DESCRIPTION	ENGLISH DESCRIPTION	WEIGHT KG	NOTE
3150202081	SM8 SCALA 660x3000 GR.ABA XF 250X2 Z.C.	SM8, 660x3000 staircase tower ABA GF step Th.2, Z.C.	4,15	



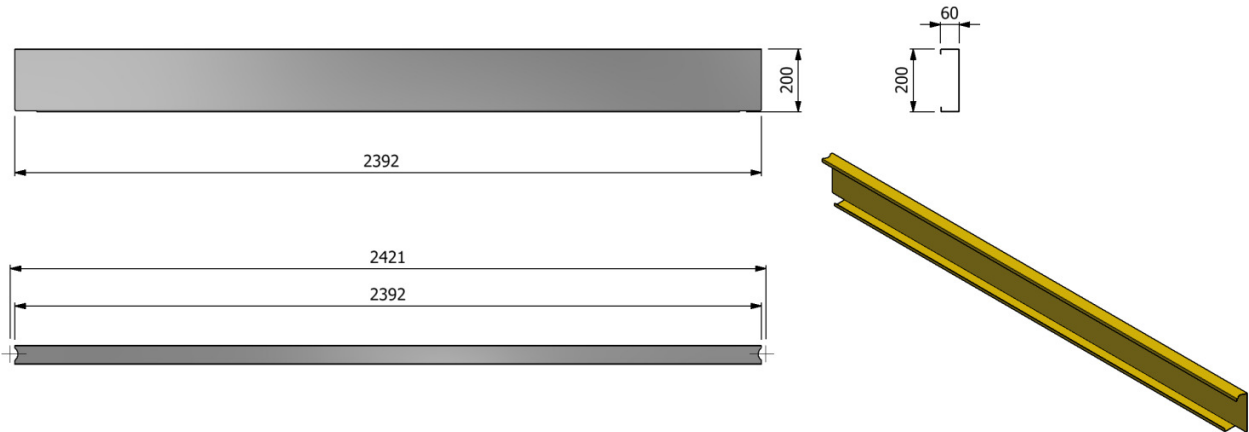
NOTE

CODE	ITALIAN DESCRIPTION	ENGLISH DESCRIPTION	WEIGHT T KG	NOTE
3150202091	SM8 SCALA 660x3000 GR.ABA XFL SP.1,5 Z.C	SM8, 660x3000 staircase tower ABA GF step Th.1,5 , Z.C.	2,75	



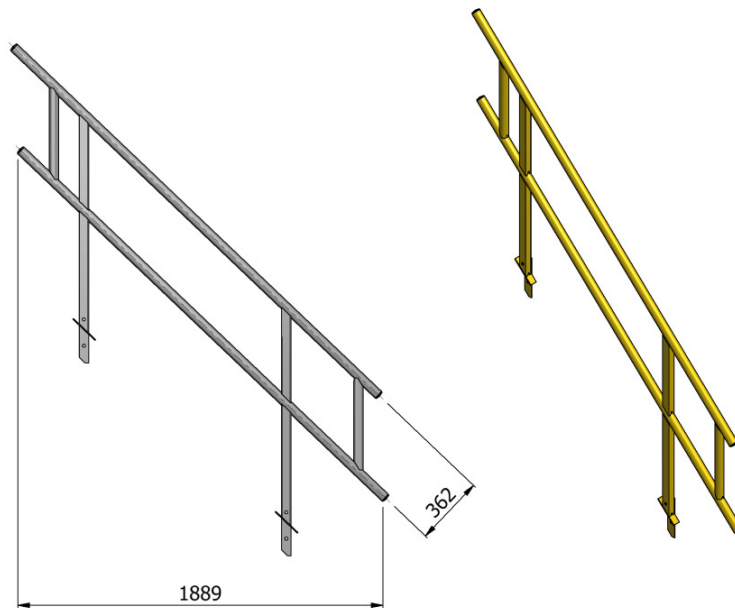
NOTE

CODE	ITALIAN DESCRIPTION	ENGLISH DESCRIPTION	WEIGHT KG	NOTE
3150202101	SM8 SCALA 660x3000 FERM.INT. L=1810 Z.S	SM8, 660x3000 staircase tower, internal toeboard 1810mm, Z.C.	4,79	



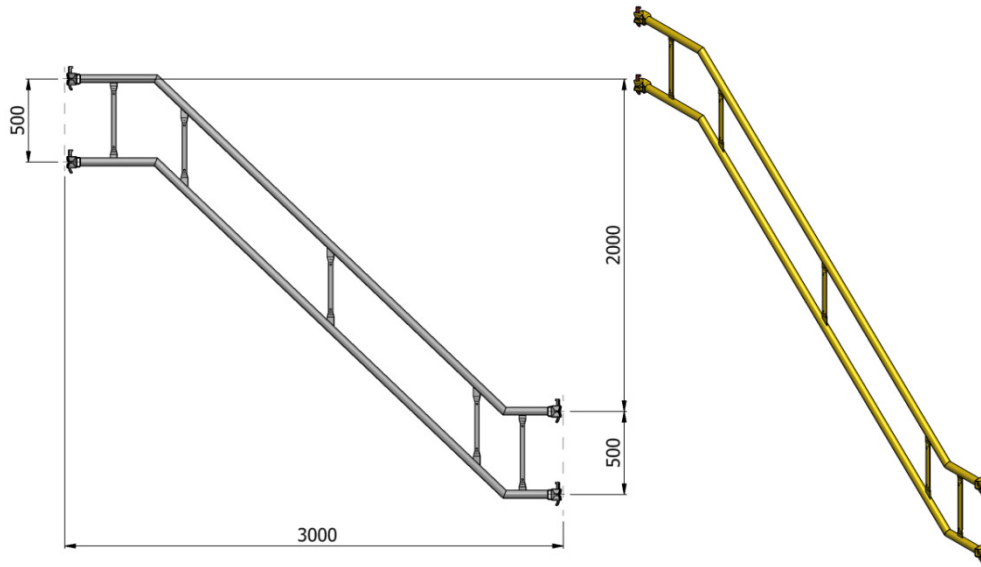
NOTE

CODE	ITALIAN DESCRIPTION	ENGLISH DESCRIPTION	WEIGHT T KG	NOTE
3150202111	SM8 SCALA 660x3000 FERM.INT. L=2390 Z.S	SM8, 660x3000 staircase tower, internal toeboard 2390mm, Z.C.	6,36	



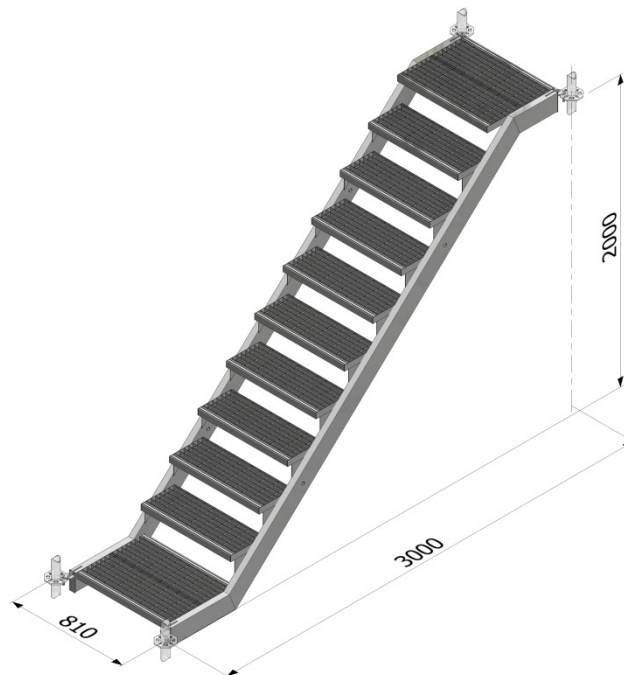
NOTE

CODE	ITALIAN DESCRIPTION	ENGLISH DESCRIPTION	WEIGHT KG	NOTE
3150202161	SM8 SCALA 660x3000 CORRIMANO DX Z.C.	SM8, 660x3000 staircase tower right handrail, Z.C.	28,08	



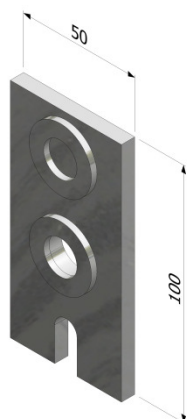
NOTE

CODE	ITALIAN DESCRIPTION	ENGLISH DESCRIPTION	WEIGHT T KG	NOTE
3150202171	SM8 SCALA 660x3000 CORR.CLAMPA SX Z.C.	SM8, 660x3000 staircase tower left handrail with clamp, Z.C.	21,70	



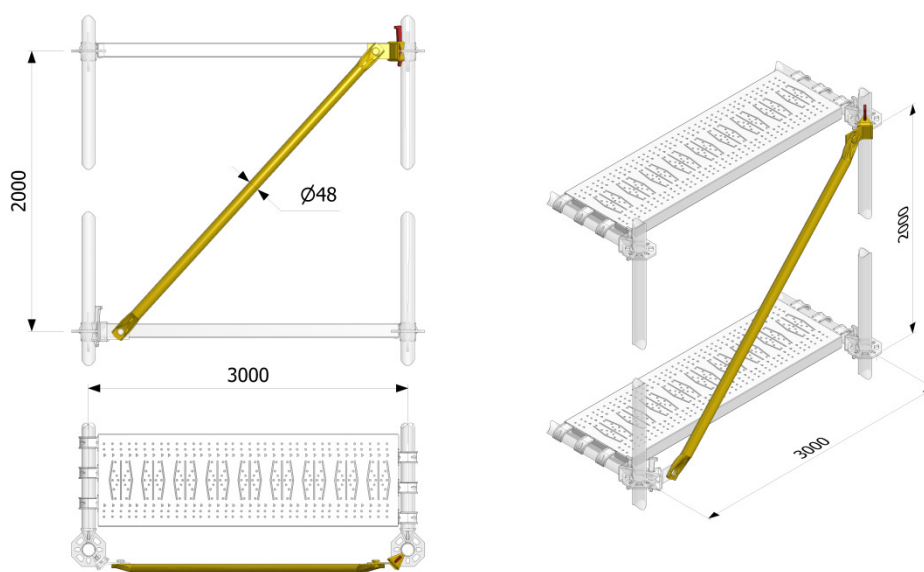
NOTE

CODE	ITALIAN DESCRIPTION	ENGLISH DESCRIPTION	WEIGHT KG	NOTE
3150202209	SM8 SCALA 660x3000 RAMPA IN ALLUMINIO	SM8, 660x3000 staircase ALUMINIUM ramp	32,95	



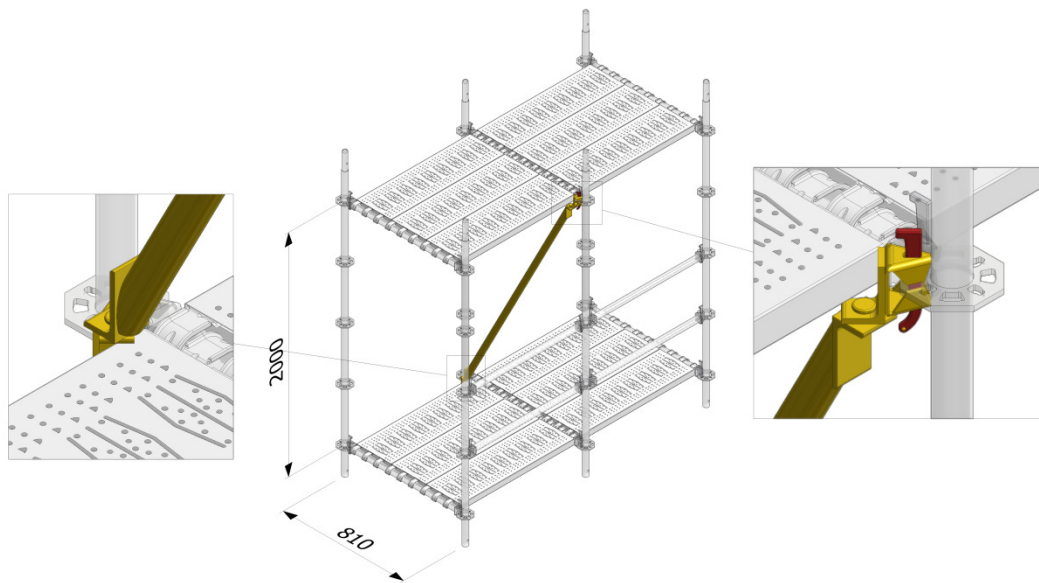
NOTE

CODE	ITALIAN DESCRIPTION	ENGLISH DESCRIPTION	WEIGHT T KG	NOTE
3150202211	SM8 SCALA 660x3000 FERMO PARAPETTI Z.C.	SM8, 660x3000 staircase parapet block Z.C.	0,246	



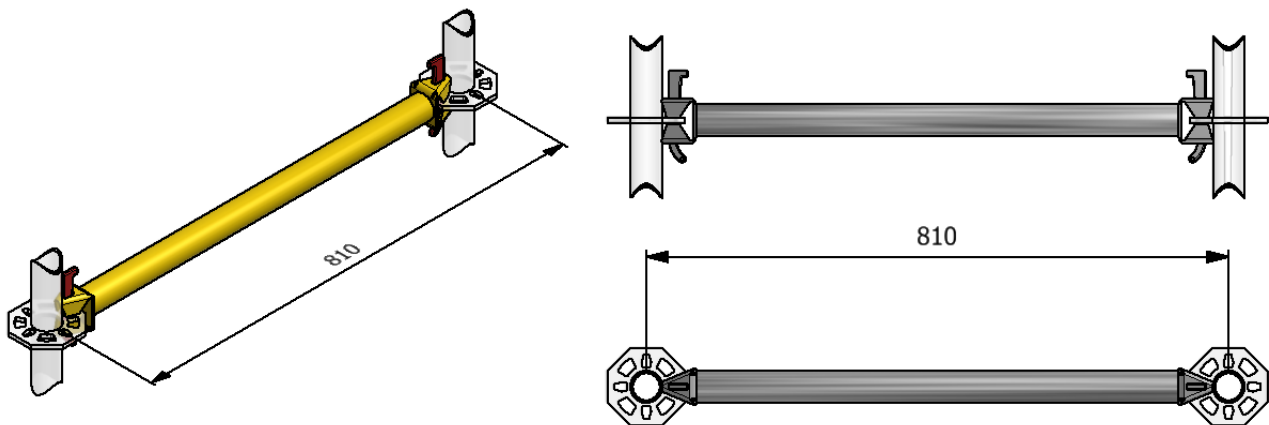
NOTE

CODE	ITALIAN DESCRIPTION	ENGLISH DESCRIPTION	WEIGHT KG	NOTE
3150500151	SM8 DIAGONALE VISTA 3000X2000 MM Z.C.	SM8, vertical brace 3000x2000 mm, Z.C.	14,82	



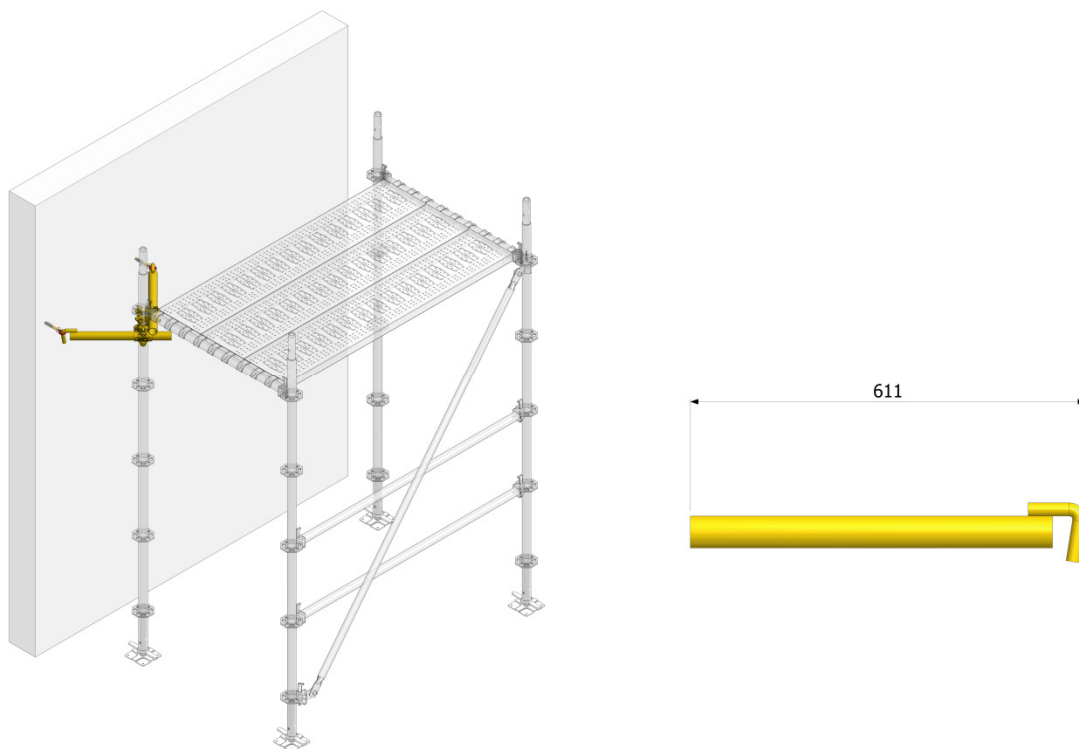
NOTE

CODE	ITALIAN DESCRIPTION	ENGLISH DESCRIPTION	WEIGHT T KG	NOTE
3150500191	SM8, SECTIONAL VERTICAL BRACE 810X2000 MM, Z.C.	SM8, sectional vertical brace 810x2000 mm, Z.C.	8,47	



NOTE

CODE	ITALIAN DESCRIPTION	ENGLISH DESCRIPTION	WEIGHT KG	NOTE
3150700291	SM8 CORRENTE DA 810 MM Z.C.	SM8, ledger 810 mm, Z.C.	3,6	



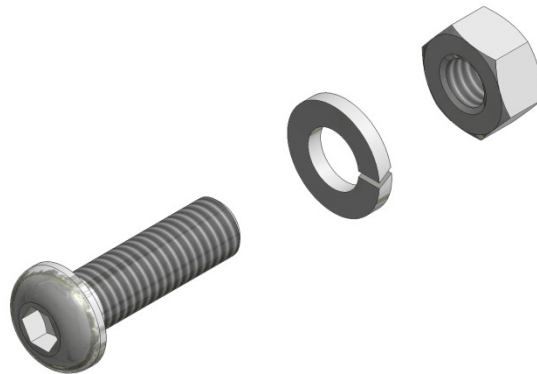
NOTE

CODE	ITALIAN DESCRIPTION	ENGLISH DESCRIPTION	WEIGHT T KG	NOTE
3150700851	SM8 STOCCO DI ANC. 600 MM Z.C.	SM8, anchoring 600 mm, Z.C.	2,71	



NOTE

CODE	ITALIAN DESCRIPTION	ENGLISH DESCRIPTION	WEIGHT KG	NOTE
6010112781	VITE M 14X70 5737 8,8 ZN	Screw M 14X70 5737 8,8 ZN	0,092	
6010401461	DADO ES.NORM 5588 M14 ZN	Nut ES.NORM 5588 M14 ZN	0,020	
6010521991	ROSETTA ELAST DIN 127- M14	Washer DIN 127- M14	0,009	


NOTE

CODE	ITALIAN DESCRIPTION	ENGLISH DESCRIPTION	WEIGHT KG	NOTE
6011807681	VT TBCE M 6x20 10.9 - ISO 7380	Screw TBCE M 6X20 10.9	0,006	
6010400661	DADO ES.NORM 5588 M 6 ZN	Nut ES.NORM 5588 M 6 ZN	0,002	
6010521591	ROSETTA ELAST DIN 127- M6	Washer DIN 127- M6	0,008	

NOTE

CODE	ITALIAN DESCRIPTION	ENGLISH DESCRIPTION	WEIGHT KG	NOTE

2. SM8 – STAIRCASE 660x3000mm FOR SCAFFOLDING – STEEL RAMP

2.1 Details for last landing staircase height: from 2,34 meters to 20,34 meters

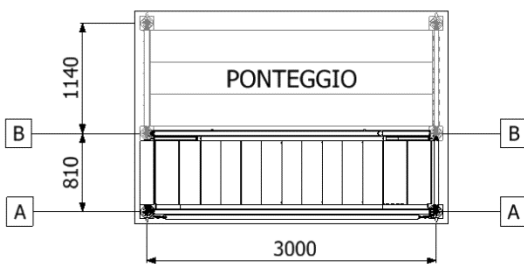
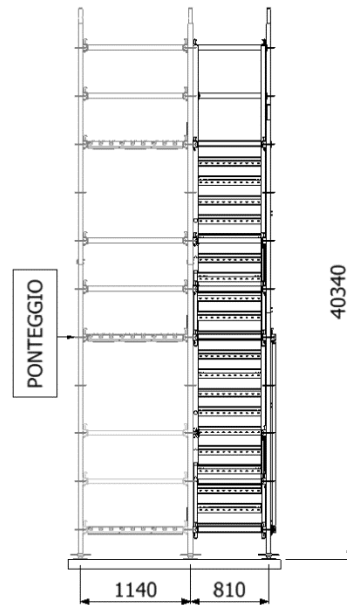
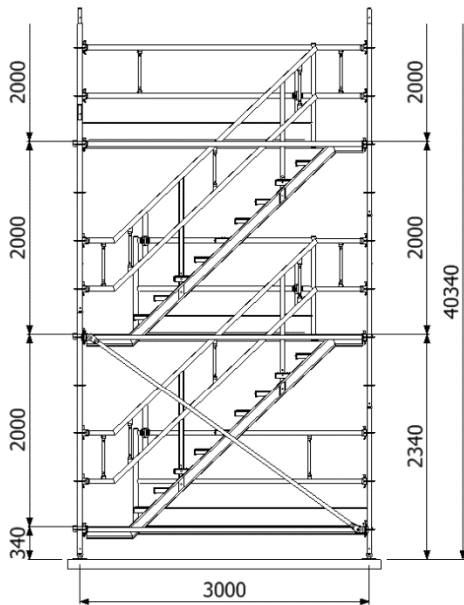
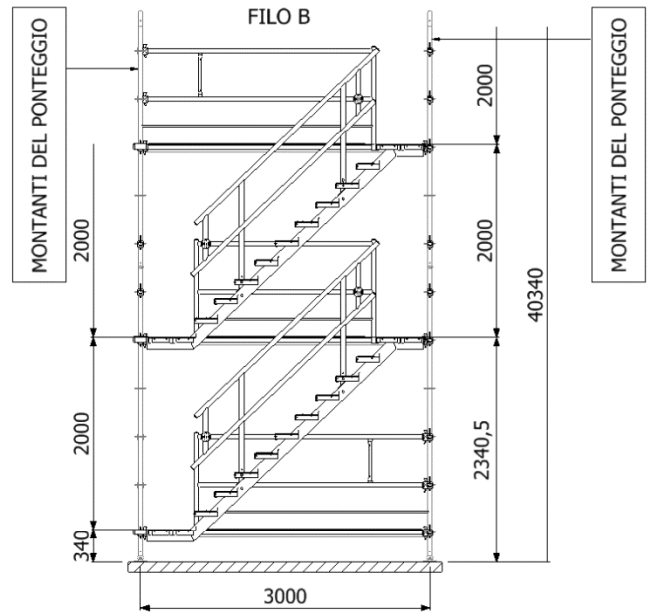
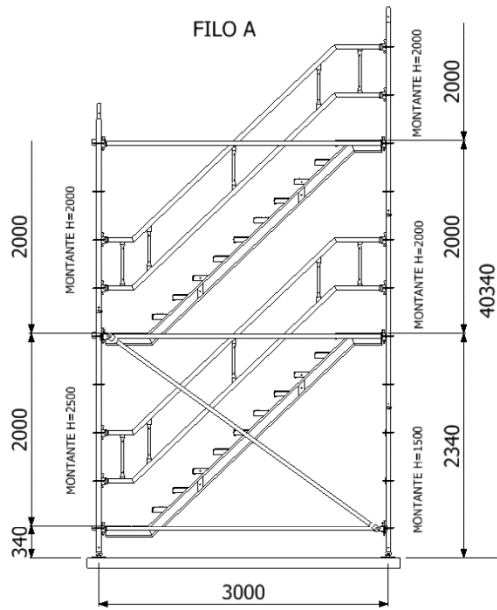
CODE	DESCRIPTION	LAST LANDING IN METERS									
		2,34	4,34	6,34	8,34	10,34	12,34	14,34	16,34	18,34	20,34
3020300006	4-bolts right angle coupler, Z.TR.	2	4	6	8	10	12	14	16	18	20
3040501062	330 mm adjustable base jack, Z.EL.	2	2	2	2	2	2	2	2	2	2
3040701006	10 mm diameter spigot pin, Z.TR.	1	3	5	7	9	11	13	15	17	19
315010021	SM8, upright with pin 2500 mm, Z.C.	1	1	1	1	1	1	1	1	1	1
315010031	SM8, upright with pin 2000 mm, Z.C.	1	3	5	7	9	11	13	15	17	19
315010041	SM8, upright with pin 1500 mm, Z.C.	1	1	1	1	1	1	1	1	1	1
3150200501	SM8, STEEL DECKING FILLER 810 MM WITH CLAMP, Z.C.	2	3	4	5	6	7	8	9	10	11
3150200541	SM8, LEDGER 3000 MM, Z.C.	4	6	8	10	12	14	16	18	20	22
3150202021	SM8, 660x3000 staircase tower left stringer, Z.C.	1	2	3	4	5	6	7	8	9	10
3150202031	SM8, 660x3000 staircase tower right stringer, Z.C.	1	2	3	4	5	6	7	8	9	10
3150202041	SM8, 660x3000 staircase tower left handrail, Z.C.	1	2	3	4	5	6	7	8	9	10
3150202051	SM8, 660x3000 staircase tower right handrail with clamp, Z.C.	1	2	3	4	5	6	7	8	9	10
3150202061	SM8, 660x3000 staircase tower type 1 internal handrail, Z.C.	2	2	2	2	2	2	2	2	2	2
3150202071	SM8, 660x3000 staircase tower type 2 internal handrail, Z.C.	1	2	3	4	5	6	7	8	9	10
3150202081	SM8, 660x3000 staircase tower ABA GF step Th.2, Z.C.	3	6	9	12	15	18	21	24	27	30
3150202091	SM8, 660x3000 staircase tower ABA GF step Th.15, Z.C.	10	20	30	40	50	60	70	80	90	100
3150202101	SM8, 660x3000 staircase tower, internal to eboard 1810mm, Z.C.		1	2	3	4	5	6	7	8	9
3150202111	SM8, 660x3000 staircase tower, internal to eboard 2390mm, Z.C.	2	2	2	2	2	2	2	2	2	2
3150202161	SM8, 660x3000 staircase tower right handrail, Z.C.										
3150202171	SM8, 660x3000 staircase tower left handrail with clamp, Z.C.										
3150500151	SM8, vertical brace 3000x2000 mm, Z.C.	1	1	2	2	3	3	4	4	5	5
3150700291	SM8, ledger 810 mm, Z.C.	4	9	14	19	24	29	34	39	44	49
601012781	SCREWM 14X70 5737 8,8 ZN	4	8	12	21	20	24	28	32	36	40
6010400661	DADO ES.NORM 5588 M 6 ZN	52	104	156	208	260	312	364	416	468	520
6010401461	NUT ES.NORM 5588 M 14 ZN	4	8	12	16	20	24	28	32	36	40
6010521591	Washer DIN 127- M 6	52	104	156	208	260	312	364	416	468	520
6010521991	WASHER DIN 127- M 14	4	8	12	16	20	24	28	32	36	40
601807681	VT TBCE M 6X20 10.9	52	104	156	208	260	312	364	416	468	520
TOTAL WEIGHT KG		302	524	761	982	1219	1441	1677	1899	2127	2358

2.2 Details for last landing staircase height: from 22,34 meters to 40,34 meters

CODE	DESCRIPTION	LAST LANDING IN METERS									
		22,34	24,34	26,34	28,34	30,34	32,34	34,34	36,34	38,34	40,34
3020300006	4-bolts right angle coupler, Z.TR.	22	24	26	28	30	32	34	36	38	40
3040501062	330 mm adjustable base jack, Z.EL.	2	2	2	2	2	2	2	2	2	2
3040701006	10 mm diameter spigot pin, Z.TR.	21	23	25	27	29	31	33	35	37	39
315010021	SM8, upright with pin 2500 mm, Z.C.	1	1	1	1	1	1	1	1	1	1
315010031	SM8, upright with pin 2000 mm, Z.C.	21	23	25	27	29	31	33	35	37	39
315010041	SM8, upright with pin 1500 mm, Z.C.	1	1	1	1	1	1	1	1	1	1
3150200501	SM8, STEEL DECKING FILLER 810 MM WITH CLAMP, Z.C.	12	13	14	15	16	17	18	19	20	21
3150200541	SM8, LEDGER 3000 MM, Z.C.	24	26	28	30	32	34	36	38	40	42
3150202021	SM8, 660x3000 staircase tower left stringer, Z.C.	11	12	13	14	15	16	17	18	19	20
3150202031	SM8, 660x3000 staircase tower right stringer, Z.C.	11	12	13	14	15	16	17	18	19	20
3150202041	SM8, 660x3000 staircase tower left handrail, Z.C.	11	12	13	14	15	16	17	18	19	20
3150202051	SM8, 660x3000 staircase tower right handrail with clamp, Z.C.	11	12	13	14	15	16	17	18	19	20
3150202061	SM8, 660x3000 staircase tower type 1 internal handrail, Z.C.	2	2	2	2	2	2	2	2	2	2
3150202071	SM8 SCALA 660X3000 CORR.INT.TIPO 2 Z.C.	10	11	12	13	14	15	16	17	18	19
3150202081	SM8, 660x3000 staircase tower ABA GF step Th.2, Z.C.	33	36	39	42	45	48	51	54	57	60
3150202091	SM8, 660x3000 staircase tower ABA GF step Th.15, Z.C.	110	120	130	140	150	160	170	180	190	200
3150202101	SM8, 660x3000 staircase tower, internal to eboard 1810mm, Z.C.	10	11	12	13	14	15	16	17	18	19
3150202111	SM8, 660x3000 staircase tower, internal to eboard 2390mm, Z.C.	2	2	2	2	2	2	2	2	2	2
3150202161	SM8, 660x3000 staircase tower right handrail, Z.C.										
3150202171	SM8, 660x3000 staircase tower left handrail with clamp, Z.C.										
3150500151	SM8, vertical brace 3000x2000 mm, Z.C.	6	6	7	7	8	8	9	9	10	10
3150700291	SM8, ledger 810 mm, Z.C.	54	59	64	69	74	79	84	89	94	99
601012781	SCREWM 14X70 5737 8,8 ZN	44	48	52	56	60	64	68	72	76	80
6010400661	DADO ES.NORM 5588 M 6 ZN	572	624	676	728	780	832	884	936	988	1040
6010401461	NUT ES.NORM 5588 M 14 ZN	44	48	52	56	60	64	68	72	76	80
6010521591	Washer DIN 127- M 6	572	624	676	728	780	832	884	936	988	1040
6010521991	WASHER DIN 127- M 14	44	48	52	56	60	64	68	72	76	80
601807681	VT TBCE M 6X20 10.9	572	624	676	728	780	832	884	936	988	1040
TOTAL WEIGHT KG		2594	2816	3053	3274	3512	3733	3970	4192	4429	4650

Go to par. 2.3 - page 18 to see the installation manual

2.3 Scheme



3. SM8 - STAIRCASE 660x3000mm - STEEL RAMP

3.1 Details for last landing staircase height: from 2,34 meters to 20,34 meters

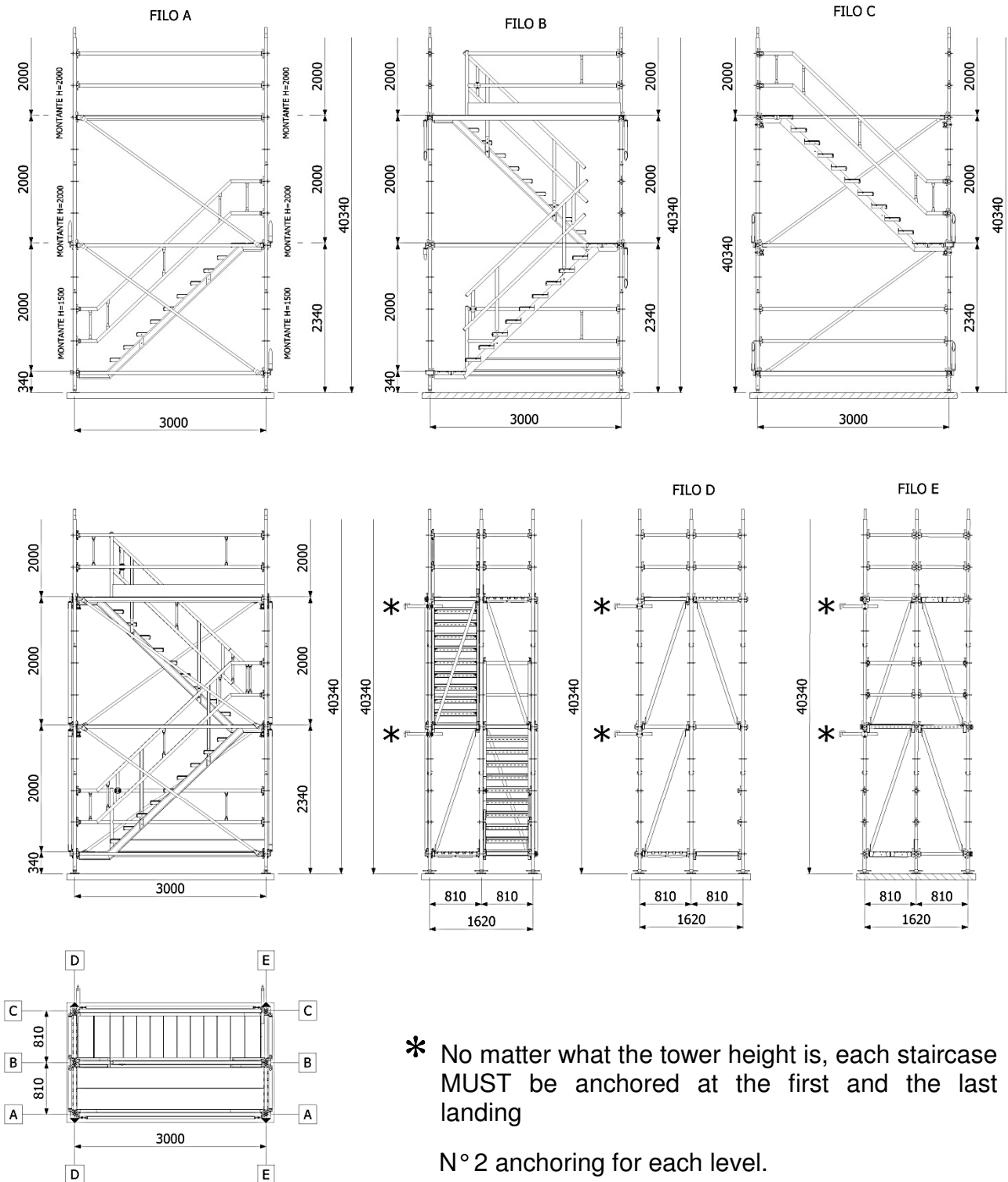
CODE	DESCRIPTION	LAST LANDING IN METERS									
		2,34	4,34	6,34	8,34	10,34	12,34	14,34	16,34	18,34	20,34
3020300006	4-bolts right angle coupler, Z.TR.	4	6	6	6	6	8	8	8	8	10
3040501062	330 mm adjustable base jack, Z.EL.	6	6	6	6	6	6	6	6	6	6
340701006	10 mm diameter spigot pin, Z.TR.	6	12	18	24	30	36	42	48	54	60
3070102071	330X3000X75 MM SECURDECK STEEL PLANK, Z.S.	4	4	4	4	4	4	4	4	4	4
3150100131	SM8, upright with pin 2000 mm, Z.C.	6	12	18	24	30	36	42	48	54	60
3150100141	SM8, upright with pin 1500 mm, Z.C.	6	6	6	6	6	6	6	6	6	6
3150200501	SM8, STEEL DECKING FILLER 810 MM WITH CLAMP, Z.C.	1	2	3	4	5	6	7	8	9	10
3150200541	SM8, LEDGER 3000 MM, Z.C.	10	13	16	19	22	25	28	31	34	37
3150202021	SM8, 660x3000 staircase tower left stringer, Z.C.	1	2	3	4	5	6	7	8	9	10
3150202031	SM8, 660x3000 staircase tower right stringer, Z.C.	1	2	3	4	5	6	7	8	9	10
3150202041	SM8, 660x3000 staircase tower left handrail, Z.C.	1	2	3	4	5	6	7	8	9	10
3150202051	SM8, 660x3000 staircase tower right handrail with clamp, Z.C.	1	2	3	4	5	6	7	8	9	10
3150202061	SM8 SCALA 660X3000 CORR.INT.TIPO 1Z.C.	2	2	2	2	2	2	2	2	2	2
3150202081	SM8, 660x3000 staircase tower ABA GF step Th.2, Z.C.	3	6	9	12	15	18	21	24	27	30
3150202091	SM8, 660x3000 staircase tower ABA GF step Th.15, Z.C.	10	20	30	40	50	60	70	80	90	100
3150202111	SM8, 660x3000 staircase tower, internal to eboard 2390mm, Z.C.	2	2	2	2	2	2	2	2	2	2
3150202161	SM8, 660x3000 staircase tower right handrail, Z.C.										
3150202171	SM8, 660x3000 staircase tower left handrail with clamp, Z.C.										
3150500151	SM8, vertical brace 3000x2000 mm, Z.C.	2	4	6	8	10	12	14	16	18	20
3150500191	SM8, SECTIONAL VERTICAL BRACE 810X2000 MM, Z.C.	3	7	11	15	19	23	27	31	35	39
3150700291	SM8, ledger 810 mm, Z.C.	15	22	29	36	43	50	57	64	71	78
3150700851	SM8, ANCHORING 600 MM, Z.C.	2	4	4	4	4	6	6	6	6	8
601012781	SCREWM 14X70 5737 8,8 ZN	4	8	12	16	20	24	28	32	36	40
6010400661	nut ES.NORM 5588 M 6 ZN	52	104	156	208	260	312	364	416	468	520
6010401461	NUT ES.NORM 5588 M 14 ZN	4	8	12	16	20	24	28	32	36	40
6010521591	Washer DIN 127- M 6	52	104	156	208	260	312	364	416	468	520
6010521991	WASHER DIN 127- M 14	4	8	12	16	20	24	28	32	36	40
601807681	VT TBCE M 6X20 10.9	52	104	156	208	260	312	364	416	468	520
TOTAL WEIGHT KG		621	951	1274	1569	1919	2250	2572	2895	3217	3548

3.2 Details for last landing staircase height: from 22,34 meters to 40,34 meters

CODE	DESCRIPTION	LAST LANDING IN METERS									
		22,34	24,34	26,34	28,34	30,34	32,34	34,34	36,34	38,34	40,34
3020300006	4-bolts right angle coupler, Z.TR.	10	10	10	12	12	12	12	14	14	14
3040501062	330 mm adjustable base jack, Z.EL.	6	6	6	6	6	6	6	6	6	6
340701006	10 mm diameter spigot pin, Z.TR.	66	72	78	84	90	96	102	108	114	120
3070102071	330X3000X75 MM SECURDECK STEEL PLANK, Z.S.	4	4	4	4	4	4	4	4	4	4
3150100131	SM8, upright with pin 2000 mm, Z.C.	66	72	78	84	90	96	102	108	114	120
3150100141	SM8, upright with pin 1500 mm, Z.C.	6	6	6	6	6	6	6	6	6	6
3150200501	SM8, STEEL DECKING FILLER 810 MM WITH CLAMP, Z.C.	11	12	13	14	15	16	17	18	19	20
3150200541	SM8, LEDGER 3000 MM, Z.C.	40	43	46	49	52	55	58	61	64	67
3150202021	SM8, 660x3000 staircase tower left stringer, Z.C.	11	12	13	14	15	16	17	18	19	20
3150202031	SM8, 660x3000 staircase tower right stringer, Z.C.	11	12	13	14	15	16	17	18	19	20
3150202041	SM8 SCALA 600X3000 CORRIMANO SX Z.C.	11	12	13	14	15	16	17	18	19	20
3150202051	SM8, 660x3000 staircase tower right handrail with clamp, Z.C.	11	12	13	14	15	16	17	18	19	20
3150202061	SM8, 660x3000 staircase tower type 1 internal handrail, Z.C.	2	2	2	2	2	2	2	2	2	2
3150202081	SM8, 660x3000 staircase tower ABA GF step Th.2, Z.C.	33	36	39	42	45	48	51	54	57	60
3150202091	SM8, 660x3000 staircase tower ABA GF step Th.15, Z.C.	110	120	130	140	150	160	170	180	190	200
3150202111	SM8, 660x3000 staircase tower, internal to eboard 2390mm, Z.C.	2	2	2	2	2	2	2	2	2	2
3150202161	SM8, 660x3000 staircase tower right handrail, Z.C.										
3150202171	SM8, 660x3000 staircase tower left handrail with clamp, Z.C.										
3150500151	SM8, vertical brace 3000x2000 mm, Z.C.	22	24	26	28	30	32	34	36	38	40
3150500191	SM8, SECTIONAL VERTICAL BRACE 810X2000 MM, Z.C.	43	47	51	55	59	63	67	71	75	79
3150700291	SM8, ledger 810 mm, Z.C.	85	92	99	106	113	120	127	134	141	148
3150700851	SM8, ANCHORING 600 MM, Z.C.	8	8	8	10	10	10	10	12	12	12
601012781	SCREWM 14X70 5737 8,8 ZN	44	48	52	56	60	64	68	72	76	80
6010400661	DADO ES.NORM 5588 M 6 ZN	572	624	676	728	780	832	884	936	988	1040
6010401461	NUT ES.NORM 5588 M 14 ZN	44	48	52	56	60	64	68	72	76	80
6010521591	Washer DIN 127- M 6	572	624	676	728	780	832	884	936	988	1040
6010521991	WASHER DIN 127- M 14	44	48	52	56	60	64	68	72	76	80
601807681	VT TBCE M 6X20 10.9	572	624	676	728	780	832	884	936	988	1040
TOTAL WEIGHT KG		3870	4193	4515	4846	5169	5491	5814	6145	6467	6790

Go to par. 3.3 - page 20 to see the installation manual

3.3 Scheme



* No matter what the tower height is, each staircase MUST be anchored at the first and the last landing

N° 2 anchoring for each level.

The intermediate anchorings should be balanced among the floor. 8 metres is the maximum distance between two anchorings.

4. SM8 - STAIRCASE 660x3000mm FOR SCAFFOLDING - ALUMINIUM RAMP
4.1 Details for last landing staircase height: from 2,34 meters to 20,34 meters

CODE	DESCRIPTION	LAST LANDING IN METERS									
		2,34	4,34	6,34	8,34	10,34	12,34	14,34	16,34	18,34	20,34
3020300006	4-BOLTS RIGHT ANGLE COUPLER, Z.TR.	2	4	6	8	10	12	14	16	18	20
3040501062	330 MM ADJUSTABLE BASE JACK, Z.EL.	2	2	2	2	2	2	2	2	2	2
3040701006	10 MM DIAMETER SPIGOT PIN, Z.TR.	1	3	5	7	9	11	13	15	17	19
3150100121	SM8, UP RIGHT WITH PIN 2500 MM, Z.C.	1	1	1	1	1	1	1	1	1	1
3150100131	SM8, UP RIGHT WITH PIN 2000 MM, Z.C.	1	3	5	7	9	11	13	15	17	19
3150100141	SM8, UP RIGHT WITH PIN 1500 MM, Z.C.	1	1	1	1	1	1	1	1	1	1
3150200501	SM8, STEEL DECKING FILLER 810 MM WITH CLAMP, Z.C.	2	3	4	5	6	7	8	9	10	11
3150200541	SM8, LEDGER 3000 MM, Z.C.	4	6	8	10	12	14	16	18	20	22
3150202041	SM8, 660x3000 staircase tower left handrail, Z.C..	1	2	3	4	5	6	7	8	9	10
3150202051	SM8, 660x3000 staircase tower right handrail with clamp, Z.C..	1	2	3	4	5	6	7	8	9	10
3150202061	SM8, 660x3000 staircase tower type 1 internal handrail, Z.C.	2	2	2	2	2	2	2	2	2	2
3150202071	SM8, 660x3000 staircase tower type 2 internal handrail, Z.C.	1	2	3	4	5	6	7	8	9	10
3150202101	SM8, 660x3000 staircase tower, internal to eboard 1810mm, Z.C.		1	2	3	4	5	6	7	8	9
3150202111	SM8, 660x3000 staircase tower, internal to eboard 2390mm, Z.C.	2	2	2	2	2	2	2	2	2	2
3150202161	SM8, 660x3000 staircase tower right handrail, Z.C.										
3150202171	SM8, 660x3000 staircase tower left handrail with clamp, Z.C.										
3150202209	SM8, 660x3000 staircase ALUMINIUM ramp	1	2	3	4	5	6	7	8	9	10
3150202211	SM8, 660x3000 staircase parapet block Z.C.	2	4	6	8	10	12	14	16	18	20
3150500151	SM8, VERTICAL BRACE 3000X2000 MM, Z.C.	1	1	2	2	3	3	4	4	5	5
3150700291	SM8, LEDGER 810 MM, Z.C.	4	9	14	19	24	29	34	39	44	49
6010112781	UNI 5737 - M 14 x 70	4	8	12	16	20	24	28	32	36	40
6010401461	Nut ES.NORM 5588 M 14 ZN	4	8	12	16	20	24	28	32	36	40
6010521991	Washer DIN 127- M 14	4	8	12	16	20	24	28	32	36	40
TOTAL WEIGHT KG		248	417	600	768	951	1120	1303	1472	1655	1823

4.2 Details for last landing staircase height: from 22,34 meters to 40,34 meters

CODE	DESCRIPTION	LAST LANDING IN METERS									
		22,34	24,34	26,34	28,34	30,34	32,34	34,34	36,34	38,34	40,34
3020300006	4-BOLTS RIGHT ANGLE COUPLER, Z.TR.	22	24	26	28	30	32	34	36	38	40
3040501062	330 MM ADJUSTABLE BASE JACK, Z.EL.	2	2	2	2	2	2	2	2	2	2
3040701006	10 MM DIAMETER SPIGOT PIN, Z.TR.	21	23	25	27	29	31	33	35	37	39
3150100121	SM8, UP RIGHT WITH PIN 2500 MM, Z.C.	1	1	1	1	1	1	1	1	1	1
3150100131	SM8, UP RIGHT WITH PIN 2000 MM, Z.C.	21	23	25	27	29	31	33	35	37	39
3150100141	SM8, UP RIGHT WITH PIN 1500 MM, Z.C.	1	1	1	1	1	1	1	1	1	1
3150200501	SM8, STEEL DECKING FILLER 810 MM WITH CLAMP, Z.C.	12	13	14	15	16	17	18	19	20	21
3150200541	SM8, LEDGER 3000 MM, Z.C.	24	26	28	30	32	34	36	38	40	42
3150202041	SM8, 660x3000 staircase tower left handrail, Z.C..	11	12	13	14	15	16	17	18	19	20
3150202051	SM8, 660x3000 staircase tower right handrail with clamp, Z.C..	11	12	13	14	15	16	17	18	19	20
3150202061	SM8, 660x3000 staircase tower type 1 internal handrail, Z.C.	2	2	2	2	2	2	2	2	2	2
3150202071	SM8, 660x3000 staircase tower type 2 internal handrail, Z.C.	10	11	12	13	14	15	16	17	18	19
3150202101	SM8, 660x3000 staircase tower, internal to eboard 1810mm, Z.C.	10	11	12	13	14	15	16	17	18	19
3150202111	SM8, 660x3000 staircase tower, internal to eboard 2390mm, Z.C.	2	2	2	2	2	2	2	2	2	2
3150202161	SM8, 660x3000 staircase tower right handrail, Z.C.										
3150202171	SM8, 660x3000 staircase tower left handrail with clamp, Z.C.										
3150202209	SM8, 660x3000 staircase ALUMINIUM ramp	11	12	13	14	15	16	17	18	19	20
3150202211	SM8, 660x3000 staircase parapet block Z.C.	22	24	26	28	30	32	34	36	38	40
3150500151	SM8, VERTICAL BRACE 3000X2000 MM, Z.C.	6	6	7	7	8	8	9	9	10	10
3150700291	SM8, LEDGER 810 MM, Z.C.	54	59	64	69	74	79	84	89	94	99
6010112781	UNI 5737 - M 14 x 70	44	48	52	56	60	64	68	72	76	80
6010401461	Nut ES.NORM 5588 M 14 ZN	44	48	52	56	60	64	68	72	76	80
6010521991	Washer DIN 127- M 14	44	48	52	56	60	64	68	72	76	80
TOTAL WEIGHT KG		2007	2175	2358	2527	2710	2878	3062	3230	3413	3582

Go to par. 2.3 - page 18 to see the installation manual

5. SM8 - STAIRCASE 660x3000mm - ALUMINIUM RAMP
5.1 Details for last landing staircase height: from 2,34 meters to 20,34 meters

CODE	DESCRIPTION	LAST LANDING IN METERS									
		2,34	4,34	6,34	8,34	10,34	12,34	14,34	16,34	18,34	20,34
3020300006	4-BOLTS RIGHT ANGLE COUPLER, Z.TR.	4	6	6	6	6	8	8	8	8	10
3040501062	330 MM ADJUSTABLE BASE JACK, Z.EL.	6	6	6	6	6	6	6	6	6	6
3040701006	10 MM DIAMETER SPIGOT PIN, Z.TR.	6	12	18	24	30	36	42	48	54	60
3070102071	330X3000X75 MM SECURDECK STEEL PLANK, Z.S.	4	4	4	4	4	4	4	4	4	4
3150100131	SM8, UP RIGHT WITH PIN 2000 MM, Z.C.	6	12	18	24	30	36	42	48	54	60
3150100141	SM8, UP RIGHT WITH PIN 1500 MM, Z.C.	6	6	6	6	6	6	6	6	6	6
3150200501	SM8, STEEL DECKING FILLER 810 MM WITH CLAMP, Z.C.	1	2	3	4	5	6	7	8	9	10
3150200541	SM8, LEDGER 3000 MM, Z.C.	10	13	16	19	22	25	28	31	34	37
3150202041	SM8, 660x3000 staircase tower left handrail, Z.C..	1	2	3	4	5	6	7	8	9	10
3150202051	SM8, 660x3000 staircase tower right handrail with clamp, Z.C..	1	2	3	4	5	6	7	8	9	10
3150202061	SM8, 660x3000 staircase tower type 1 internal handrail, Z.C.	2	2	2	2	2	2	2	2	2	2
3150202111	SM8, 660x3000 staircase tower, internal to eboard 2390mm, Z.C.	2	2	2	2	2	2	2	2	2	2
3150202161	SM8, 660x3000 staircase tower right handrail, Z.C.										
3150202171	SM8, 660x3000 staircase tower left handrail with clamp, Z.C.										
3150202209	SM8, 660x3000 staircase ALUMINIUM ramp	1	2	3	4	5	6	7	8	9	10
3150202211	SM8, 660x3000 staircase parapet block Z.C.	2	4	6	8	10	12	14	16	18	20
3150500161	SM8, VERTICAL BRACE 3000X2000 MM, Z.C.	2	4	6	8	10	12	14	16	18	20
3150500191	SM8, SECTIONAL VERTICAL BRACE 810X2000 MM, Z.C.	3	7	11	15	19	23	27	31	35	39
3150700291	SM8, ledger 810 mm, Z.C.	15	22	29	36	43	50	57	64	71	78
3150700851	SM8, ANCHORING 600 MM, Z.C..	2	4	4	4	4	6	6	6	6	8
6010112781	UNI 5737 - M 14 x 70	4	8	12	16	20	24	28	32	36	40
6010401461	DADO ESAGONALE UNI 5588 - M 14 ZN	4	8	12	16	20	24	28	32	36	40
6010401461	Washer DIN 127- M 14	4	8	12	16	20	24	28	32	36	40
TOTAL WEIGHT KG		567	844	1114	1383	1652	1929	2198	2467	2736	3014

5.2 Details for last landing staircase height: from 22,34 meters to 40,34 meters

CODE	DESCRIPTION	LAST LANDING IN METERS									
		22,34	24,34	26,34	28,34	30,34	32,34	34,34	36,34	38,34	40,34
3020300006	4-BOLTS RIGHT ANGLE COUPLER, Z.TR.	10	10	10	12	12	12	12	14	14	14
3040501062	330 MM ADJUSTABLE BASE JACK, Z.EL.	6	6	6	6	6	6	6	6	6	6
3040701006	10 MM DIAMETER SPIGOT PIN, Z.TR.	66	72	78	84	90	96	102	108	114	120
3070102071	330X3000X75 MM SECURDECK STEEL PLANK, Z.S.	4	4	4	4	4	4	4	4	4	4
3150100131	SM8, UP RIGHT WITH PIN 2000 MM, Z.C.	66	72	78	84	90	96	102	108	114	120
3150100141	SM8, UP RIGHT WITH PIN 1500 MM, Z.C.	6	6	6	6	6	6	6	6	6	6
3150200501	SM8, STEEL DECKING FILLER 810 MM WITH CLAMP, Z.C.	11	12	13	14	15	16	17	18	19	20
3150200541	SM8, LEDGER 3000 MM, Z.C.	40	43	46	49	52	55	58	61	64	67
3150202041	SM8, 660x3000 staircase tower left handrail, Z.C..	11	12	13	14	15	16	17	18	19	20
3150202051	SM8, 660x3000 staircase tower right handrail with clamp, Z.C..	11	12	13	14	15	16	17	18	19	20
3150202061	SM8, 660x3000 staircase tower type 1 internal handrail, Z.C.	2	2	2	2	2	2	2	2	2	2
3150202111	SM8, 660x3000 staircase tower, internal to eboard 2390mm, Z.C.	2	2	2	2	2	2	2	2	2	2
3150202161	SM8, 660x3000 staircase tower right handrail, Z.C.										
3150202171	SM8, 660x3000 staircase tower left handrail with clamp, Z.C.										
3150202209	SM8, 660x3000 staircase ALUMINIUM ramp	11	12	13	14	15	16	17	18	19	20
3150202211	SM8, 660x3000 staircase parapet block Z.C.	22	24	26	28	30	32	34	36	38	40
3150500161	SM8, VERTICAL BRACE 3000X2000 MM, Z.C.	22	24	26	28	30	32	34	36	38	40
3150500191	SM8, SECTIONAL VERTICAL BRACE 810X2000 MM, Z.C.	43	47	51	55	59	63	67	71	75	79
3150700291	SM8, ledger 810 mm, Z.C.	85	92	99	106	113	120	127	134	141	148
3150700851	SM8, ANCHORING 600 MM, Z.C..	8	8	8	10	10	10	10	12	12	12
6010112781	UNI 5737 - M 14 x 70	44	48	52	56	60	64	68	72	76	80
6010401461	Nut ES.NORM 5588 M 14 ZN	44	48	52	56	60	64	68	72	76	80
6010521991	Washer DIN 127- M 14	44	48	52	56	60	64	68	72	76	80
TOTAL WEIGHT KG		3283	3552	3821	4098	4368	4637	4906	5183	5452	5721

Go to par. 3.3 - page 20 to see the installation manual