



**MARCEGAGLIA**

# **MATERIAL LIST REAL PONT EN**

REV. 0 - MAY 2013

**INDICE ANALITICO**
**A**

Anchoring screw d. 48 mm Black painted .....	13
SM8, anchoring 340 mm, Z.C. ....	52
SM8, anchoring 600 mm, Z.C. ....	52
SM8, anchoring B type, 1190 mm, Z.C. ....	52

**B**

355 mm adjustable base jack, Z.C. ....	43
355 mm adjustable base jack, Z.EL. ....	43
700 mm adjustable base jack, Z.EL. ....	43
Adjustable base jack 1000 mm Z.EL. ....	33
Base plate 48 mm diameter , Z.C. ....	13
Base plate 48 mm diameter , Z.TR. ....	13
RP 330/490, 1050 mm offset bracket strut, Z.C. ....	29
RP 330/490, bridging ledger 3600 mm, Z.C. ....	37
RP 330/490, bridging ledger 5000 mm, Z.C. ....	37
RP 330/490-T5, bridging ledger junction beam, Z.C. ....	41
RP 330/490-T5, bridging ledger transom, Z.C. ....	42
RP 330/490-UF, 1050 mm loading platform bracket, Z.C. ....	31
RP 330/490-UF, 1050 mm offset bracket, Z.C. ....	32
RP 330-T5, 393 mm intermediate bracket, Z.C. ....	29
RP 330-UF, 410 mm side bracket, Z.C. ....	31
RP 490 - T5, 544 mm intermediate bracket, Z.C. ....	39
RP EN, 750 mm offset bracket strut, Z.C. ....	30
RP EN, 750 mm offset bracket, Z.C. ....	32
RP, 750 mm bridging ledger junction beam, Z.C. ....	35
RP490-UF, 560 mm side bracket, Z.C. ....	30
T5 - RP,1050 mm loading platform bracket strut, Z.C. ....	39

**C**

4-bolts right angle coupler, Z.TR. ....	11
Head coupler, Z.TR. ....	10
Pivot coupler, Z.TR. ....	10
RP 330/490, 2500 mm comp. street protection , Z.C. ....	41
RP 330/490/ T5, 2500 mm comp. street protection , Z.C. ....	41
Simple 4-bolts coupler, Z.TR. ....	11
Simple coupler, Z.TR. ....	12
Swivel coupler, Z.TR. ....	12

**D**

RP 330/490, 2500 mm deck compens. for intermediate bracket, Z.C. ....	40
RP EN, double fencing 1800 mm Z.C. ....	23
RP EN, double fencing 2500 mm Z.C. ....	24
RP EN, double fencing 3000 mm Z.C. ....	24

T5 - RP, 1800 mm deck compens. for intermediate bracket, Z.C. ....	40
--	----

## F

RP EN walk-through frame, 1800-750mm, Z.C. ....	15
RP EN, 1050 bridging ledger comp. frame h.1060 mm, Z.C. ....	36
RP EN, 750 bridging ledger comp. frame h.1060 mm, Z.C. ....	36
RP EN, base half frame 1050x1300 mm, Z.C. ....	16
RP EN, base half frame 750x1300 mm, Z.C. ....	15
RP EN, frame 1050x2000 mm, Z.C. ....	19
RP EN, frame 750x2000 mm, Z.C. ....	16
RP EN, side fencing for side bracket 410 mm Z.C. ....	25
RP EN, side fencing for side bracket 560 mm Z.C. ....	25
RP EN, side fencing, 1050 mm Z.C. ....	26
RP EN, side fencing, 750 mm Z.C. ....	27

## H

RP 105 EN, horizontal & vertical brace, 2022 mm Z.S. ....	26
RP EN 105, horizontal brace 2645 mm Z.S. ....	20
RP EN, 3000x750 mm hor. brace with forged pin, Z.S. ....	22
RP, 75x1800, horizontal brace 1884 mm, Z.S. ....	27
RP, 75x2500, horizontal brace 2542 mm, Z.S. ....	27

## L

1330 mm ladder, Z.C. ....	51
2000 mm ladder handrail, Z.C. ....	50
2000 mm ladder, Z.C. ....	50
RP 330/490, 1800mm ledger with forged pin, Z.S. ....	19
RP 330/490, 2500 mm ledger with forged pin, Z.S. ....	20
RP EN, 3000 mm ledger with forged pin, Z.S. ....	22

## N

RP 330/490, narrow start, horizontal brace 348x1800mm, Z.S. ....	24
RP 330/490, narrow start, horizontal brace 348x2500mm, Z.S. ....	20
RP 330/490, narrow start, horizontal brace 648x1800mm, Z.S. ....	20
RP 330/490, narrow start, horizontal brace 648x2500mm, Z.S. ....	19
RP EN, narrow start: lower support 348mm, Z.C. ....	17
RP EN, narrow start: lower support 648mm, Z.C. ....	17
RP EN, narrow start: upper support 348 - 1050 mm, old Z.C. ....	18
RP EN, narrow start: upper support 648 - 1050 mm, old Z.C. ....	18

## P

RP EN, reinforced top parapet post 2000 mm, Z.C. ....	33
---	----

## S

10 mm diameter spigot pin, Z.TR. ....	38
200x1800 mm steel plank, Z.S. ....	44
200x2500 mm steel plank, Z.S. ....	45

330x1800x50 mm SECURDECK steel plank, Z.S. ....	48
330x2500x50 mm SECURDECK steel plank, Z.S. ....	48
330x3000x75 mm SECURDECK steel plank, Z.S. ....	49
490x1800x50 mm NEW STANDARD steel plank,Z.S. ....	49
490x1800x50 mm SECURDECK steel plank, Z.S. ....	48
490x2500x50 mm SECURDECK steel plank, Z.S. ....	48
500x1800 mm steel plank,Z.S. ....	44
RP 330/490/ T5, foldable street protection element, Z.C. ....	40
RP EN, safety fencing 1048 mm Z.C. ....	21
RP EN, safety fencing 1800 mm Z.C. ....	21
RP EN, safety fencing 2500 mm Z.C. ....	21
RP EN, safety fencing 3000 mm Z.C. ....	23
RP EN, safety fencing 750 mm Z.C. ....	21
Steel castor wheel with rubber coating, V.R. ....	14
Steel castor wheel, V.R. ....	14
Truss beams spigot pin, Z.C. ....	34

## T

1800 mm toeboard UNIFICATO, Z.S. ....	49
2500 mm toeboard UNIFICATO, Z.S. ....	49
3000 mm toeboard UNIFICATO, Z.S. ....	49
3286 mm truss beam , Z.C. ....	34
4280 mm truss beam , Z.C. ....	34
490x1800 mm trapdoor in Al & ply., front opening ....	47
490x1800 mm trapdoor, Z.C. ....	45
490x1800 mm trapdoor,P.Z. ....	44
490x2500 mm trapdoor in Al & ply., front opening ....	47
660x1800 mm trapdoor in Al & ply., front opening ....	46
660x2500 mm trapdoor in Al & ply., front opening ....	46
660x3000 mm EN trapdoor in Al & ply., front opening ....	48
660x3000x3 mm trapdoor in Al & ply., front opening ....	46
750 mm toeboard UNIFICATO, EN Z.S. ....	49
TAVOLA CON BOTOLA DA 490X1800X50 MM IN ACCIAIO	
- ZINCATURA A CALDO. ....	45
Toeboard UNIFICATO 1050 mm, Z.S. ....	42
Plank-trapdoor 2500x490x50 mm P.Z. ....	51
Plank-trapdoor EN 1800x660 mm H.60 P.Z. ....	47
Plank-trapdoor EN 2500x660 mm H.60 P.Z. ....	47
RP 330/490, 1050 mm transom with forged pin, Z.S. ....	26
RP 75, mm transom with forged pin, Z.S. ....	28
RP EN, simple reinforced terminal, Z.C. ....	28
RP, 750 mm bridging ledger transom, Z.C. ....	35
SM8, trap door 660x1800 mm, Z.S. ....	52
SM8, trap door 660x2500 mm, Z.S. ....	52
TUBE 48X3,25S235JRCM300 N. ....	9
TUBE ø 48,3X3,25 - Fe 360 - L = 0,4 M - SENDZIMIR GALV. ....	9

TUBE ø 48,3X3,25 - Fe 360 - L = 0,5 M - SENDZIMIR GALV.....	9
TUBE ø 48,3X3,25 - Fe 360 - L = 0,6 M - SENDZIMIR GALV.....	9
TUBE ø 48,3X3,25 - Fe 360 - L = 0,75 M - SENDZIMIR GALV.....	9
TUBE ø 48,3X3,25 - Fe 360 - L = 0,9 M - SENDZIMIR GALV.....	9
TUBE ø 48,3X3,25 - Fe 360 - L = 1 M - SENDZIMIR GALV.....	9
TUBE ø 48,3X3,25 - Fe 360 - L = 1,2 M - SENDZIMIR GALV.....	9
TUBE ø 48,3X3,25 - Fe 360 - L = 1,25 M - SENDZIMIR GALV.....	9
TUBE ø 48,3X3,25 - Fe 360 - L = 1,5 M - SENDZIMIR GALV.....	9
TUBE ø 48,3X3,25 - Fe 360 - L = 1,8 M - SENDZIMIR GALV.....	9
TUBE ø 48,3X3,25 - Fe 360 - L = 2 M - SENDZIMIR GALV.....	9
TUBE ø 48,3X3,25 - Fe 360 - L = 2,25 M - SENDZIMIR GALV.....	9
TUBE ø 48,3X3,25 - Fe 360 - L = 2,5 M - SENDZIMIR GALV.....	9
TUBE ø 48,3X3,25 - Fe 360 - L = 2,75 M - SENDZIMIR GALV.....	9
TUBE ø 48,3X3,25 - Fe 360 - L = 3 M - SENDZIMIR GALV.....	9
TUBE ø 48,3X3,25 - Fe 360 - L = 3,25 M - SENDZIMIR GALV.....	9
TUBE ø 48,3X3,25 - Fe 360 - L = 3,6 M - SENDZIMIR GALV.....	9
TUBE ø 48,3X3,25 - Fe 360 - L = 4 M - SENDZIMIR GALV.....	9
TUBE ø 48,3X3,25 - Fe 360 - L = 4,5 M - SENDZIMIR GALV.....	9
TUBE ø 48,3X3,25 - Fe 360 - L = 5 M - SENDZIMIR GALV.....	9
TUBE ø 48,3X3,25 - Fe 360 - L = 5,4 M - SENDZIMIR GALV.....	9
TUBE ø 48,3X3,25 - Fe 360 - L = 6 M - SENDZIMIR GALV.....	9
TUBE ø 48,3X3,25 - S235JRH - L = 0,4 M - BLACK PAINTED.....	9
TUBE ø 48,3X3,25 - S235JRH - L = 0,5 M - BLACK PAINTED.....	9
TUBE ø 48,3X3,25 - S235JRH - L = 0,6 M - BLACK PAINTED.....	9
TUBE ø 48,3X3,25 - S235JRH - L = 0,75 M - BLACK PAINTED.....	9
TUBE ø 48,3X3,25 - S235JRH - L = 0,9 M - BLACK PAINTED.....	9
TUBE ø 48,3X3,25 - S235JRH - L = 1 M - BLACK PAINTED.....	9
TUBE ø 48,3X3,25 - S235JRH - L = 1,2 M - BLACK PAINTED.....	9
TUBE ø 48,3X3,25 - S235JRH - L = 1,25 M - BLACK PAINTED.....	9
TUBE ø 48,3X3,25 - S235JRH - L = 1,5 M - BLACK PAINTED.....	9
TUBE ø 48,3X3,25 - S235JRH - L = 1,8 M - BLACK PAINTED.....	9
TUBE ø 48,3X3,25 - S235JRH - L = 2 M - BLACK PAINTED.....	9
TUBE ø 48,3X3,25 - S235JRH - L = 2,25 M - BLACK PAINTED.....	9
TUBE ø 48,3X3,25 - S235JRH - L = 2,5 M - BLACK PAINTED.....	9
TUBE ø 48,3X3,25 - S235JRH - L = 2,75 M - BLACK PAINTED.....	9
TUBE ø 48,3X3,25 - S235JRH - L = 3,25 M - BLACK PAINTED.....	9
TUBE ø 48,3X3,25 - S235JRH - L = 3,6 M - BLACK PAINTED.....	9
TUBE ø 48,3X3,25 - S235JRH - L = 4 M - BLACK PAINTED.....	9
TUBE ø 48,3X3,25 - S235JRH - L = 4,5 M - BLACK PAINTED.....	9
TUBE ø 48,3X3,25 - S235JRH - L = 5 M - BLACK PAINTED.....	9
TUBE ø 48,3X3,25 - S235JRH - L = 5,4 M - BLACK PAINTED.....	9
TUBE ø 48,3X3,25 - S235JRH - L = 6 M - BLACK PAINTED.....	9
Tube's pin D.48 mm, Z.C.....	13

**V**

RP EN, 3000 mm vert./hor. brace with forged pin, Z.S.....	22
---	----



**INDICE PER CODE**

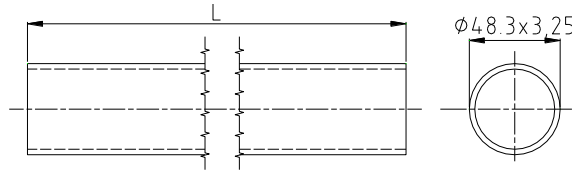
CODE	PAGINA	CODE	PAGINA
3010104000 .....	9	3010820035 .....	9
3010105000 .....	9	3010822535 .....	10
3010106000 .....	9	3010825035 .....	10
3010107500 .....	9	3010827535 .....	10
3010109000 .....	9	3010830035 .....	10
3010110000 .....	9	3010832535 .....	10
3010112000 .....	9	3010836035 .....	10
3010112500 .....	9	3010840035 .....	10
3010115000 .....	9	3010845035 .....	10
3010118000 .....	9	3010850035 .....	10
3010120000 .....	9	3010854035 .....	10
3010122500 .....	9	3010860035 .....	10
3010125000 .....	9	3020000006 .....	10
3010127500 .....	9	3020100006 .....	11
3010130000 .....	9	3020200006 .....	11
3010132500 .....	9	3020300006 .....	12
3010136000 .....	9	3020400006 .....	12
3010140000 .....	9	3020500006 .....	13
3010145000 .....	9	3030000001 .....	13
3010150000 .....	9	3030100001 .....	14
3010154000 .....	9	3030100006 .....	14
3010160000 .....	9	3030200000 .....	14
3010804035 .....	9	3030300000 .....	14
3010805035 .....	9	3030300010 .....	15
3010806035 .....	9	3040104051 .....	15
3010807535 .....	9	3040105961 .....	16
3010809035 .....	9	3040105991 .....	16
3010810035 .....	9	3040106071 .....	17
3010812035 .....	9	3040106161 .....	17
3010812535 .....	9	3040106171 .....	18
3010815035 .....	9	3040106181 .....	18
3010818035 .....	9	3040106191 .....	19
		3040107001 .....	19

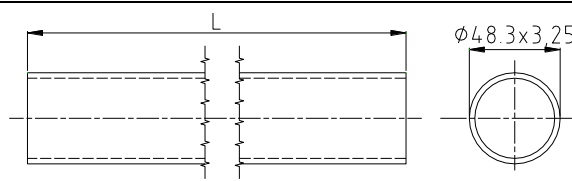
3040201015 .....	20	3040307201 .....	32
3040201155 .....	20	3040307501 .....	33
3040201165 .....	20	3040404111 .....	33
3040201175 .....	20	3040501012 .....	34
3040201195 .....	21	3040601041 .....	34
3040201266 .....	21	3040601051 .....	34
3040201661 .....	21	3040601061 .....	35
3040201671 .....	21	3040601151 .....	35
3040201681 .....	22	3040601171 .....	36
3040201691 .....	22	3040603011 .....	36
3040201705 .....	22	3040603021 .....	37
3040201715 .....	22	3040604021 .....	37
3040201725 .....	23	3040604031 .....	38
3040201751 .....	23	3040604041 .....	38
3040201791 .....	24	3040701006 .....	39
3040201801 .....	24	3040800331 .....	39
3040201851 .....	24	3040800341 .....	40
3040202065 .....	25	3040800351 .....	40
3040204271 .....	25	3040800381 .....	40
3040204281 .....	26	3040800401 .....	41
3040206015 .....	26	3040800411 .....	41
3040206065 .....	26	3040800421 .....	41
3040206131 .....	27	3040800471 .....	42
3040206141 .....	27	3040800481 .....	42
3040206165 .....	28	3040800711 .....	43
3040206175 .....	28	3040800901 .....	43
3040206185 .....	28	3040800902 .....	43
3040206305 .....	<b>Errore. Il segnalibro non è definito.</b>	3060300141 .....	44
3040303021 .....	29	3070100001 .....	44
3040304051 .....	29	3070100011 .....	44
3040305011 .....	30	3070100021 .....	45
3040306141 .....	30	3070100031 .....	45
3040306501 .....	31	3070100071 .....	45
3040306701 .....	31	3070100081 .....	46
3040306901 .....	32	3070101079 .....	46



---

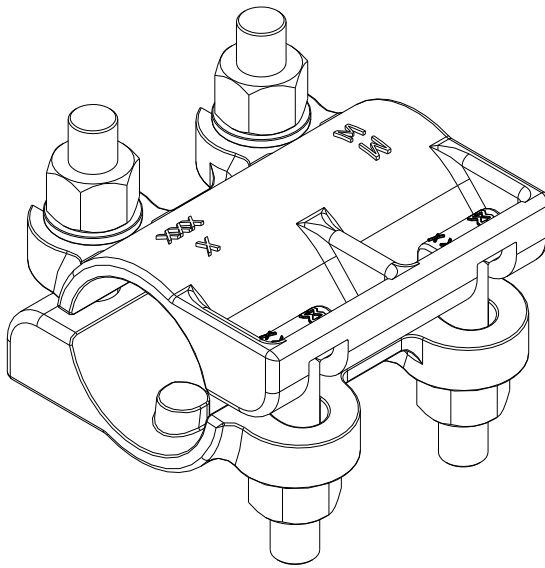
3070101139 .....	46
3070101149 .....	46
3070101209 .....	47
3070101229 .....	47
3070101491 .....	47
3070101511 .....	47
3070101521 .....	48
3070102011 .....	48
3070102021 .....	48
3070102041 .....	48
3070102051 .....	48
3070102071 .....	49
3070103011 .....	49
3070200221 .....	49
3070200301 .....	49
3070200311 .....	49
3070200321 .....	49
3070300131 .....	50
3070300141 .....	50
3070300161 .....	51
3070800031 .....	51
3150200191 .....	52
3150200201 .....	52
3150700171 .....	52
3150700841 .....	52
3150700851 .....	52

		NOTE		
CODE	ITALIAN DESCRIPTION	ENGLISH DESCRIPTION	WEIGHT T KG	NOTE
3010104000	TUBO 48X3,25S235JRCM040 N	TUBE Ø 48,3X3,25 - S235JRH - L = 0,4 M - BLACK PAINTED <b>Errore. Il segnalibro non è definito.</b>	1,32	
3010105000	TUBO 48X3,25S235JRCM050 N	TUBE Ø 48,3X3,25 - S235JRH - L = 0,5 M - BLACK PAINTED	1,65	
3010106000	TUBO 48X3,25S235JRCM060 N	TUBE Ø 48,3X3,25 - S235JRH - L = 0,6 M - BLACK PAINTED	1,98	
3010107500	TUBO 48X3,25S235JRCM075 N	TUBE Ø 48,3X3,25 - S235JRH - L = 0,75 M - BLACK PAINTED	2,48	
3010109000	TUBO 48X3,25S235JRCM090 N	TUBE Ø 48,3X3,25 - S235JRH - L = 0,9 M - BLACK PAINTED <b>Errore. Il segnalibro non è definito.</b>	2,97	
3010110000	TUBO 48X3,25S235JRCM100 N	TUBE Ø 48,3X3,25 - S235JRH - L = 1 M - BLACK PAINTED <b>Errore. Il segnalibro non è definito.</b>	3,30	
3010112000	TUBO 48X3,25S235JRCM120 N	TUBE Ø 48,3X3,25 - S235JRH - L = 1,2 M - BLACK PAINTED	3,96	
3010112500	TUBO 48X3,25S235JRCM125 N	TUBE Ø 48,3X3,25 - S235JRH - L = 1,25 M - BLACK PAINTED	4,13	
3010115000	TUBO 48X3,25S235JRCM150 N	TUBE Ø 48,3X3,25 - S235JRH - L = 1,5 M - BLACK PAINTED <b>Errore. Il segnalibro non è definito.</b>	4,95	
3010118000	TUBO 48X3,25S235JRCM180 N	TUBE Ø 48,3X3,25 - S235JRH - L = 1,8 M - BLACK PAINTED <b>Errore. Il segnalibro non è definito.</b>	5,94	
3010120000	TUBO 48X3,25S235JRCM200 N	TUBE Ø 48,3X3,25 - S235JRH - L = 2 M - BLACK PAINTED <b>Errore. Il segnalibro non è definito.</b>	6,60	
3010122500	TUBO 48X3,25S235JRCM225 N	TUBE Ø 48,3X3,25 - S235JRH - L = 2,25 M - BLACK PAINTED <b>Errore. Il segnalibro non è definito.</b>	7,43	
3010125000	TUBO 48X3,25S235JRCM250 N	TUBE Ø 48,3X3,25 - S235JRH - L = 2,5 M - BLACK PAINTED <b>Errore. Il segnalibro non è definito.</b>	8,25	
3010127500	TUBO 48X3,25S235JRCM275 N	TUBE Ø 48,3X3,25 - S235JRH - L = 2,75 M - BLACK PAINTED	9,08	
3010130000	TUBO 48X3,25S235JRCM300 N	TUBE Ø 48,3X3,25 - S235JRH - L = 3 M - BLACK PAINTED <b>Errore. Il segnalibro non è definito.</b>	9,90	
3010132500	TUBO 48X3,25S235JRCM325 N	TUBE Ø 48,3X3,25 - S235JRH - L = 3,25 M - BLACK PAINTED	10,73	
3010136000	TUBO 48X3,25S235JRCM360 N	TUBE Ø 48,3X3,25 - S235JRH - L = 3,6 M - BLACK PAINTED <b>Errore. Il segnalibro non è definito.</b>	11,88	
3010140000	TUBO 48X3,25S235JRCM400 N	TUBE Ø 48,3X3,25 - S235JRH - L = 4 M - BLACK PAINTED <b>Errore. Il segnalibro non è definito.</b>	13,20	
3010145000	TUBO 48X3,25S235JRCM450 N	TUBE Ø 48,3X3,25 - S235JRH - L = 4,5 M - BLACK PAINTED	14,85	
3010150000	TUBO 48X3,25S235JRCM500 N	TUBE Ø 48,3X3,25 - S235JRH - L = 5 M - BLACK PAINTED <b>Errore. Il segnalibro non è definito.</b>	16,50	
3010154000	TUBO 48X3,25S235JRCM540 N	TUBE Ø 48,3X3,25 - S235JRH - L = 5,4 M - BLACK PAINTED	17,82	
3010160000	TUBO 48X3,25S235JRCM600 N	TUBE Ø 48,3X3,25 - S235JRH - L = 6 M - BLACK PAINTED	19,80	

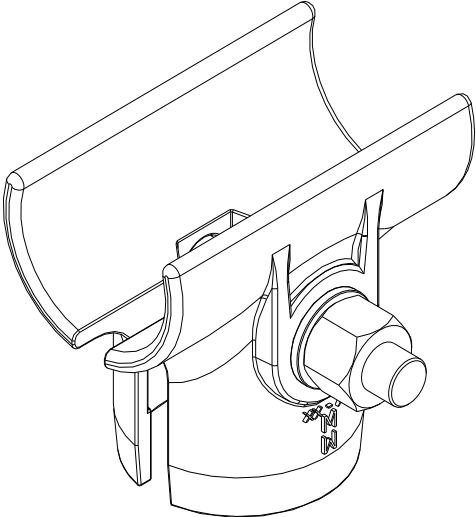
		NOTE		
CODE	ITALIAN DESCRIPTION	ENGLISH DESCRIPTION	WEIGHT T KG	NOTE
3010804035	TUBO 48X3,25 FE36 CM040 ZS	TUBE Ø 48,3X3,25 - Fe 360 - L = 0,4 M - SENDZIMIR GALV.	1,38	
3010805035	TUBO 48X3,25 FE36 CM050 ZS	TUBE Ø 48,3X3,25 - Fe 360 - L = 0,5 M - SENDZIMIR GALV.	1,72	
3010806035	TUBO 48X3,25 FE36 CM060 ZS	TUBE Ø 48,3X3,25 - Fe 360 - L = 0,6 M - SENDZIMIR GALV.	2,07	
3010807535	TUBO 48X3,25 FE36 CM075 ZS	TUBE Ø 48,3X3,25 - Fe 360 - L = 0,75 M - SENDZIMIR GALV.	2,59	
3010809035	TUBO 48X3,25 FE36 CM090 ZS	TUBE Ø 48,3X3,25 - Fe 360 - L = 0,9 M - SENDZIMIR GALV. <b>Errore. Il segnalibro non è definito.</b>	3,10	
3010810035	TUBO 48X3,25 FE36 CM100 ZS	TUBE Ø 48,3X3,25 - Fe 360 - L = 1 M - SENDZIMIR GALV.	3,45	
3010812035	TUBO 48X3,25 FE36 CM120 ZS	TUBE Ø 48,3X3,25 - Fe 360 - L = 1,2 M - SENDZIMIR GALV.	4,14	
3010812535	TUBO 48X3,25 FE36 CM125 ZS	TUBE Ø 48,3X3,25 - Fe 360 - L = 1,25 M - SENDZIMIR GALV.	4,31	
3010815035	TUBO 48X3,25 FE36 CM150 ZS	TUBE Ø 48,3X3,25 - Fe 360 - L = 1,5 M - SENDZIMIR GALV. <b>Errore. Il segnalibro non è definito.</b>	5,17	
3010818035	TUBO 48X3,25 FE36 CM180 ZS	TUBE Ø 48,3X3,25 - Fe 360 - L = 1,8 M - SENDZIMIR GALV.	6,21	
3010820035	TUBO 48X3,25 FE36 CM200 ZS	TUBE Ø 48,3X3,25 - Fe 360 - L = 2 M - SENDZIMIR GALV. <b>Errore. Il</b>	6,90	

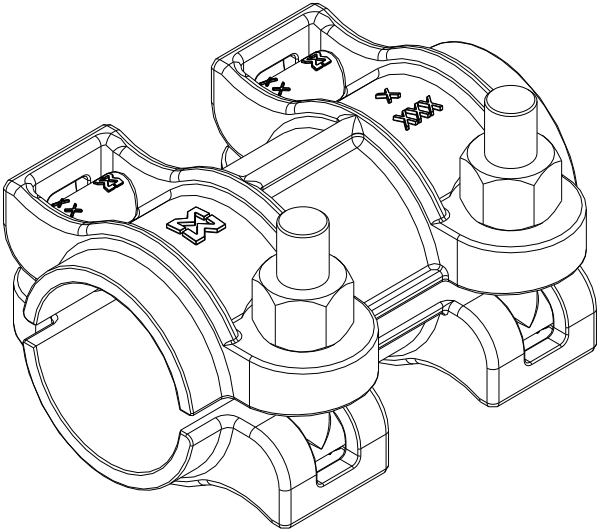
		segnalibro non è definito.		
3010822535	TUBO 48X3,25 FE36 CM225 ZS	TUBE ø 48,3X3,25 - Fe 360 - L = 2,25 M - SENDZIMIR GALV.	7,76	
3010825035	TUBO 48X3,25 FE36 CM250 ZS	TUBE ø 48,3X3,25 - Fe 360 - L = 2,5 M - SENDZIMIR GALV.	7,76	
3010827535	TUBO 48X3,25 FE36 CM275 ZS	TUBE ø 48,3X3,25 - Fe 360 - L = 2,75 M - SENDZIMIR GALV.	9,49	
3010830035	TUBO 48X3,25 FE36 CM300 ZS	TUBE ø 48,3X3,25 - Fe 360 - L = 3 M - SENDZIMIR GALV.	11,21	
3010832535	TUBO 48X3,25 FE36 CM325 ZS	TUBE ø 48,3X3,25 - Fe 360 - L = 3,25 M - SENDZIMIR GALV.	12,42	
3010836035	TUBO 48X3,25 FE36 CM360 ZS	TUBE ø 48,3X3,25 - Fe 360 - L = 3,6 M - SENDZIMIR GALV.	12,42	
3010840035	TUBO 48X3,25 FE36 CM400 ZS	TUBE ø 48,3X3,25 - Fe 360 - L = 4 M - SENDZIMIR GALV.	13,80	
3010845035	TUBO 48X3,25 FE36 CM450 ZS	TUBE ø 48,3X3,25 - Fe 360 - L = 4,5 M - SENDZIMIR GALV.	15,52	
3010850035	TUBO 48X3,25 FE36 CM500 ZS	TUBE ø 48,3X3,25 - Fe 360 - L = 5 M - SENDZIMIR GALV.	17,25	
3010854035	TUBO 48X3,25 FE36 CM540 ZS	TUBE ø 48,3X3,25 - Fe 360 - L = 5,4 M - SENDZIMIR GALV.	18,63	
3010860035	TUBO 48X3,25 FE36 CM600 ZS	TUBE ø 48,3X3,25 - Fe 360 - L = 6 M - SENDZIMIR GALV.	20,70	

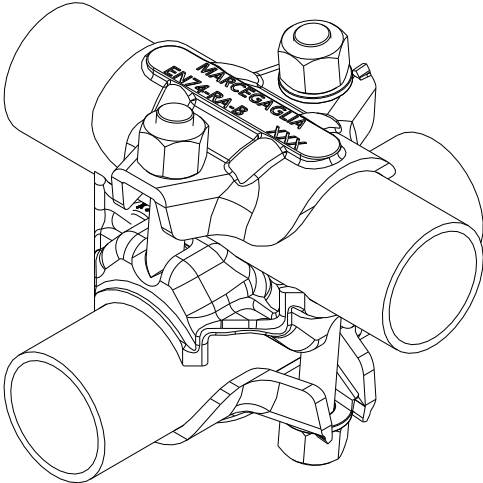
CODE	ITALIAN DESCRIPTION	ENGLISH DESCRIPTION	WEIGHT T KG	NOTE
3020000006	GIUNTO A PERNI D.48 MM Z.TR.	Pivot coupler, Z.TR.	1,73	

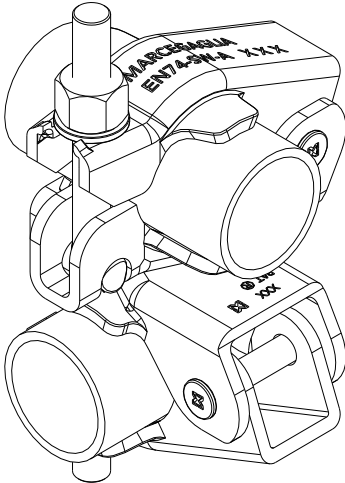


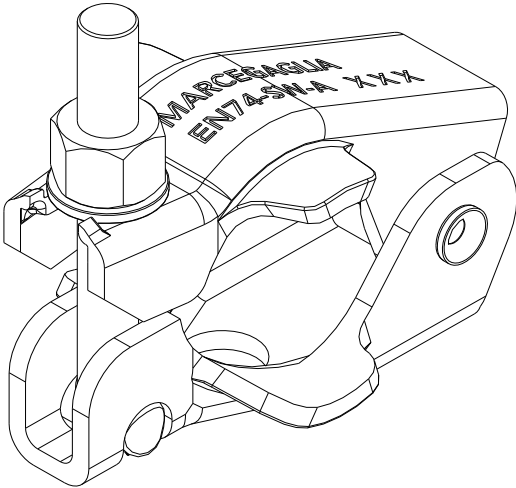
NOTE

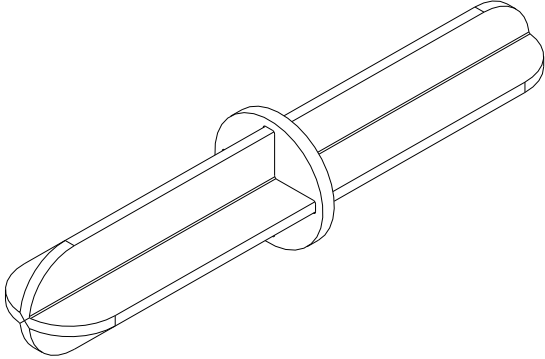
			NOTE	
CODE	ITALIAN DESCRIPTION	ENGLISH DESCRIPTION	WEIGHT T KG	NOTE
302010006	GIUNTO TESTA COLLARE D.48 MM Z.TR.	Head coupler, Z.TR.	0,94	

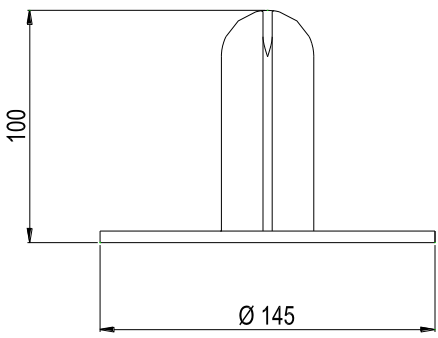
			NOTE	
CODE	ITALIAN DESCRIPTION	ENGLISH DESCRIPTION	WEIGHT T KG	NOTE
302020006	GIUNTO SEMPLICE D.48 MM 4 BUL. Z.TR.	Simple 4-bolts coupler, Z.TR.	0,94	

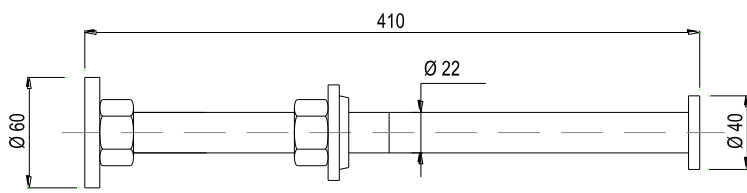
			NOTE	
CODE	ITALIAN DESCRIPTION	ENGLISH DESCRIPTION	WEIGHT T KG	NOTE
3020300006	GIUNTO ORTOGONALE D.48 MM 4 BUL. Z.TR.	4-bolts right angle coupler, Z.TR.	1,42	

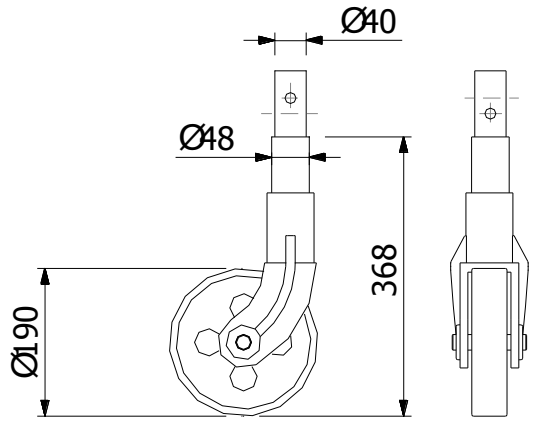
			NOTE	
CODE	ITALIAN DESCRIPTION	ENGLISH DESCRIPTION	WEIGHT T KG	NOTE
3020400006	GIUNTO ORIENTABILE D.48 MM Z.TR.	Swivel coupler, Z.TR.	1,45	

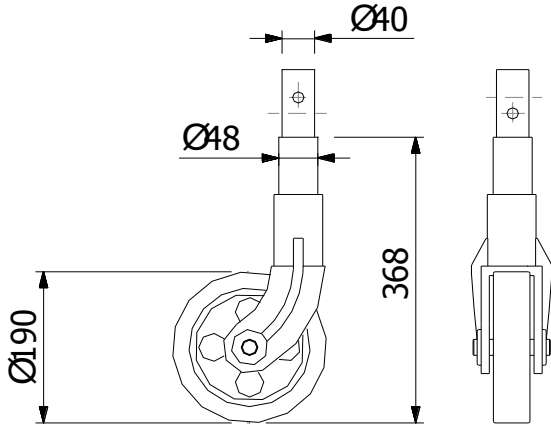
			NOTE	
CODE	ITALIAN DESCRIPTION	ENGLISH DESCRIPTION	WEIGHT T KG	NOTE
302050006	GIUNTO DI TENUTA D.48 MM Z.TR.	Simple coupler, Z.T.R.	0,69	

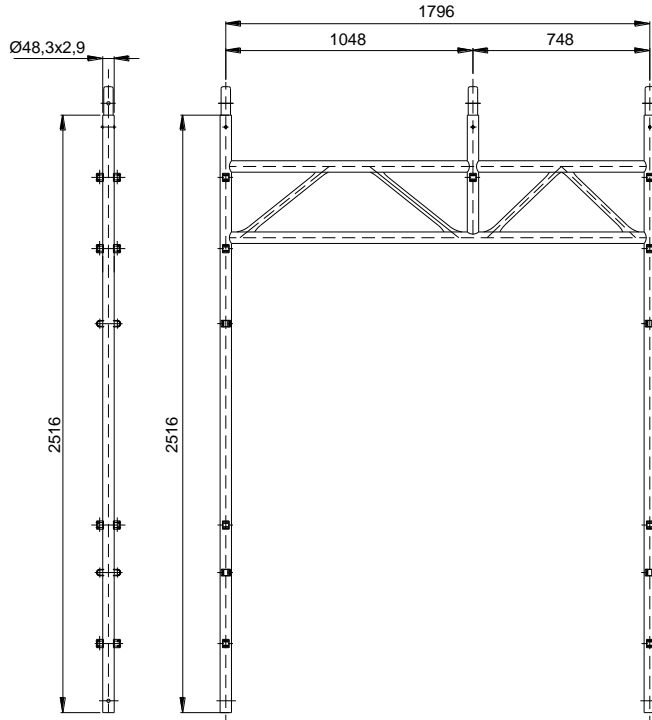
			NOTE	
CODE	ITALIAN DESCRIPTION	ENGLISH DESCRIPTION	WEIGHT T KG	NOTE
303000001	SPINOTTO TUBE/GIUNTO D.48 MM Z.C.	Tube's pin D.48 mm, Z.C.	0,64	

			NOTE	
CODE	ITALIAN DESCRIPTION	ENGLISH DESCRIPTION	WEIGHT T KG	NOTE
3030100001	BASSETTA SEMPLICE D.48 MM Z.C.	Base plate 48 mm diameter , Z.C.	0,90	
3030100006	BASSETTA SEMPLICE D.48 MM Z.TR.	Base plate 48 mm diameter , Z.TR.	0,92	

			NOTE	
CODE	ITALIAN DESCRIPTION	ENGLISH DESCRIPTION	WEIGHT T KG	NOTE
3030200000	VITONE DI ANCORAGGIO D.48 MM V.N.	Anchoring screw d. 48 mm Black painted	1,68	

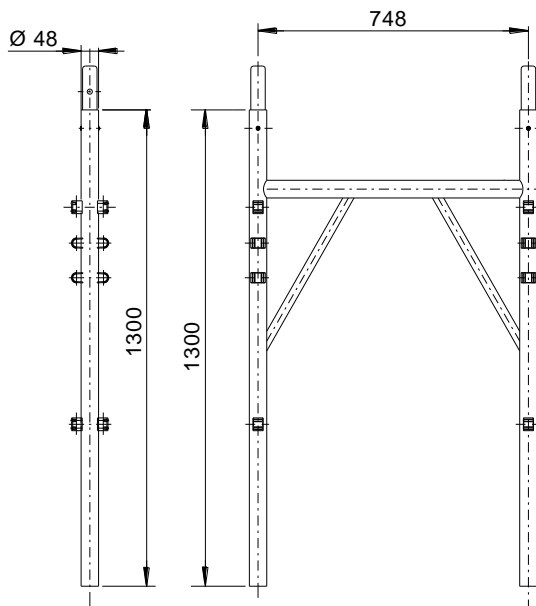
			NOTE	
CODE	ITALIAN DESCRIPTION	ENGLISH DESCRIPTION	WEIGHT T KG	NOTE
3030300000	RUOTA ACCIAIO - TUBE D.48 MM V.N.	Steel castor wheel, V.R. <b>Errore. Il segnalibro non è definito.</b>	10,00	

			NOTE	
CODE	ITALIAN DESCRIPTION	ENGLISH DESCRIPTION	WEIGHT T KG	NOTE
3030300010	RUOTA ACCIAIO GOMMATA -TUBE D.48 MM V.N.	Steel castor wheel with rubber coating, V.R.	9,55	

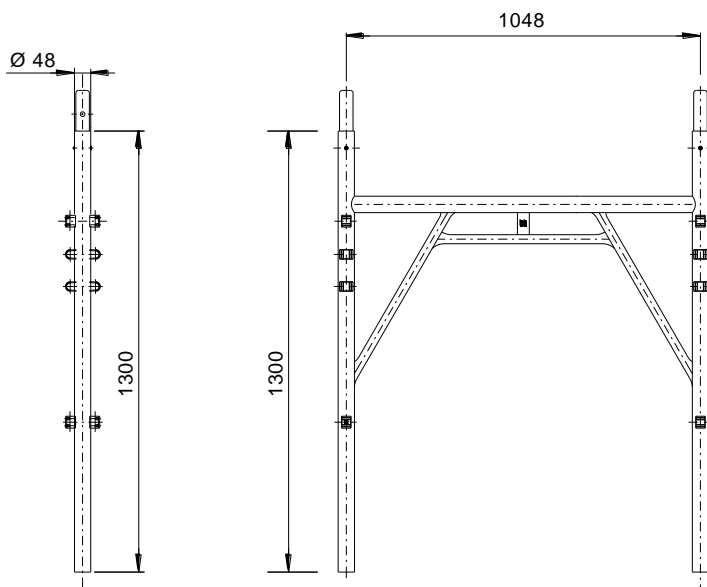
			NOTE	
CODE	ITALIAN DESCRIPTION	ENGLISH DESCRIPTION	WEIGHT T KG	NOTE
3040104051	TELAIO PASSO PEDONALE REAL PONT EN Z.C.	RP EN walk-through frame, 1800-750mm, Z.C.	34,14	

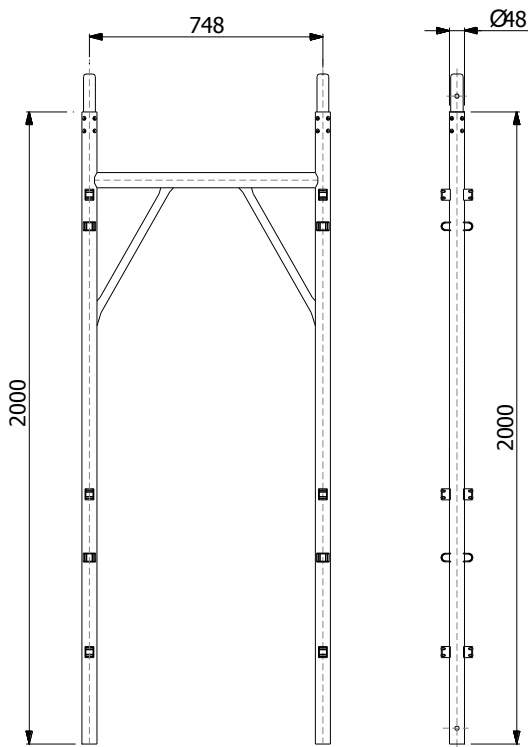


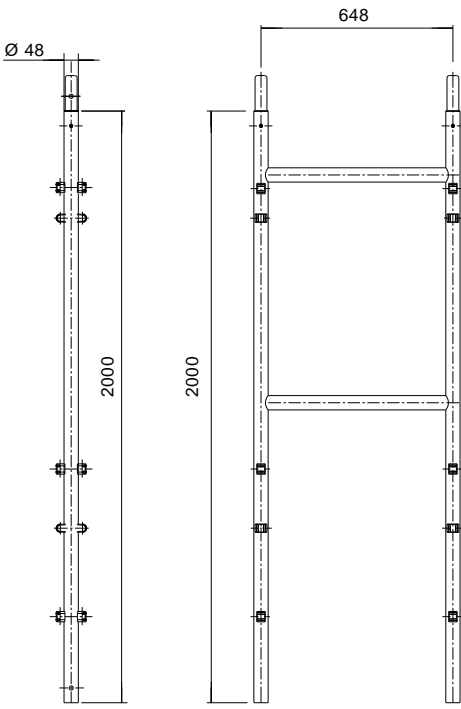
CODE		ITALIAN DESCRIPTION	ENGLISH DESCRIPTION	WEIGHT T KG	NOTE
3040105961		RP EN MEZZO TEL. BASE 748X1300 MM Z.C	RP EN, base half frame 750x1300 mm, Z.C.	14,50	

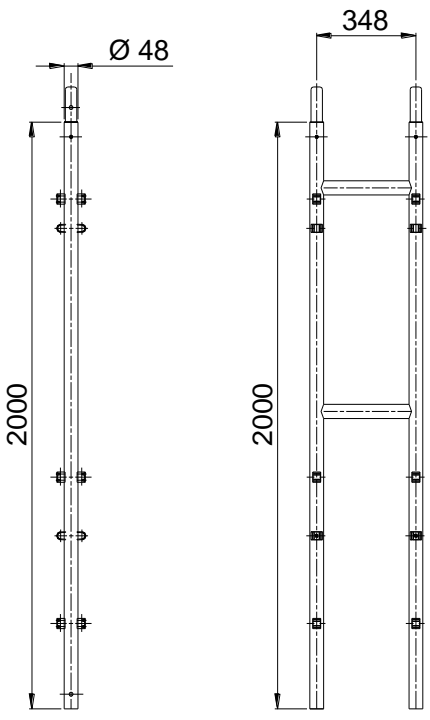

**NOTE**

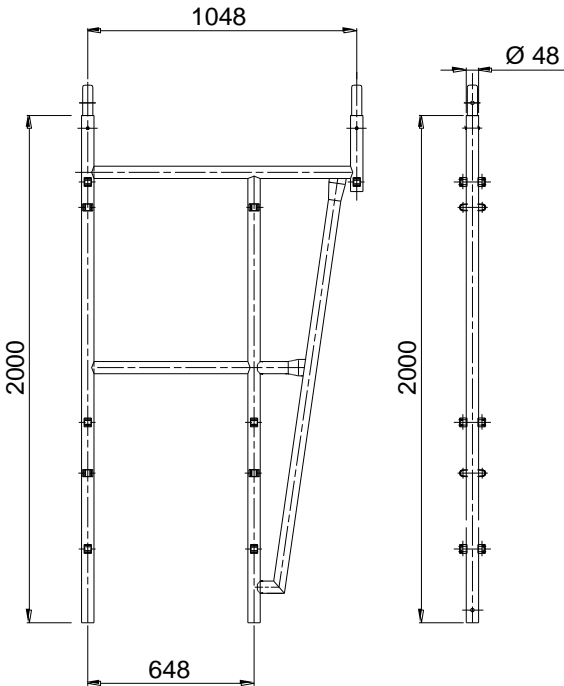
CODE		ITALIAN DESCRIPTION	ENGLISH DESCRIPTION	WEIGHT T KG	NOTE
3040105991		RP EN MEZZO TEL. BASE 1048X1300 MM Z.C.	RP EN, base half frame 1050x1300 mm, Z.C.	15,94	

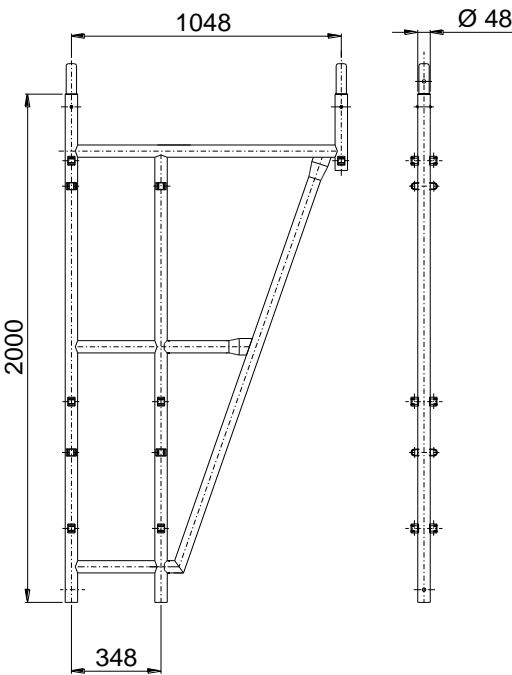

**NOTE**

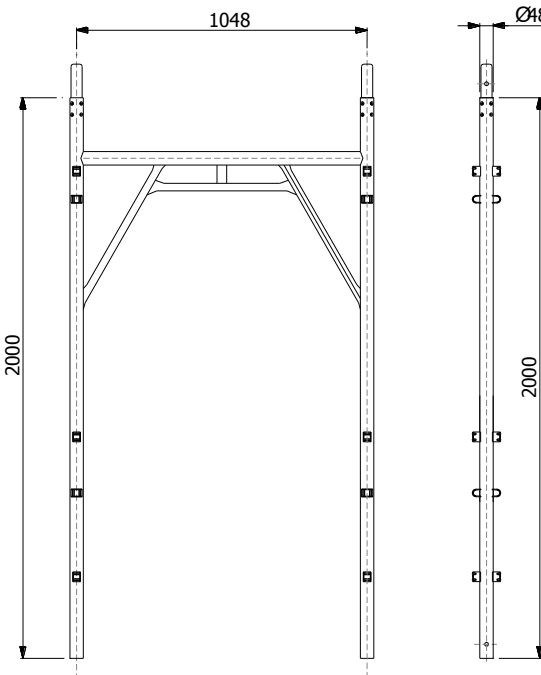
			NOTE	
CODE	ITALIAN DESCRIPTION	ENGLISH DESCRIPTION	WEIGHT T KG	NOTE
3040106071	TELAIO REAL PONT 75 EN Z.C.	RP EN, frame 750x2000 mm, Z.C.	19,31	

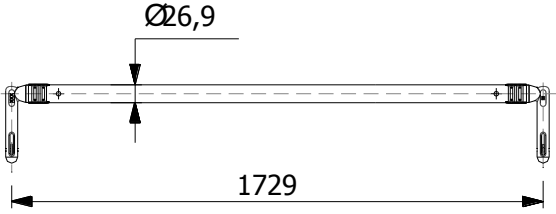
			NOTE	
CODE	ITALIAN DESCRIPTION	ENGLISH DESCRIPTION	WEIGHT T KG	NOTE
3040106161	RP EN-PR STAMPELLA INF. 648 MM Z.C.	RP EN, narrow start: lower support 648mm, Z.C.	19,66	

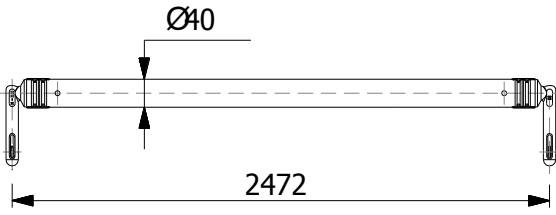
			NOTE	
CODE	ITALIAN DESCRIPTION	ENGLISH DESCRIPTION	WEIGHT T KG	NOTE
3040106171	RP EN STAMPELLA INFERIORE 348 MM Z.C.	RP EN, narrow start: lower support 348mm, Z.C.	17,53	

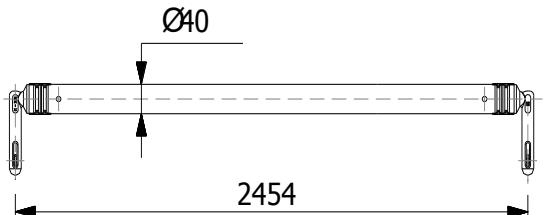
			NOTE	
CODE	ITALIAN DESCRIPTION	ENGLISH DESCRIPTION	WEIGHT T KG	NOTE
3040106181	RP EN TELAIO RASTREMATO 648/1048 MM Z.C.	RP EN, narrow start: upper support 648 - 1050 mm,old Z.C.	27,80	

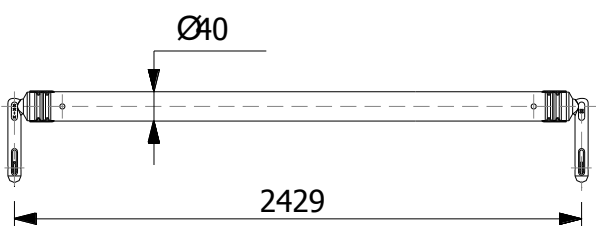
		NOTE		
CODE	ITALIAN DESCRIPTION	ENGLISH DESCRIPTION	WEIGHT T KG	NOTE
3040106191	RP EN TELAIO RASTREMATO 348/1048 MM Z.C.	RP EN, narrow start: upper support 348 - 1050 mm,old Z.C.	28,50	

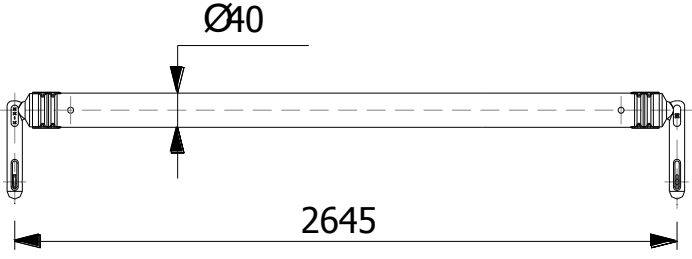
		NOTE		
CODE	ITALIAN DESCRIPTION	ENGLISH DESCRIPTION	WEIGHT T KG	NOTE
3040107001	TELAIO REAL PONT 105 EN Z.C.	RP EN, frame 1050x2000 mm, Z.C.	21,13	

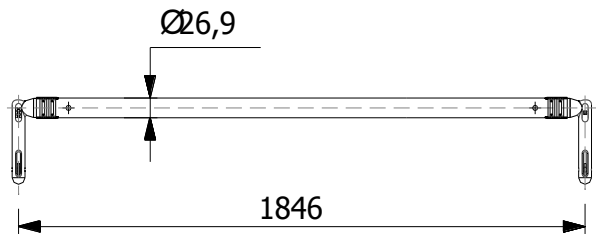
			NOTE	
CODE	ITALIAN DESCRIPTION	ENGLISH DESCRIPTION	WEIGHT T KG	NOTE
3040201015	RP330-490-PR CORRENTE PARAP.1800MM Z.S.	RP 330/490, 1800mm ledger with forged pin, Z.S.	2,88	

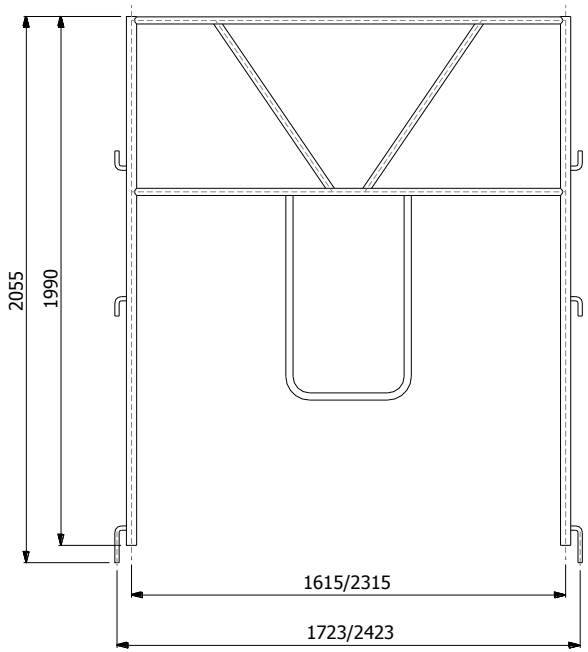
			NOTE	
CODE	ITALIAN DESCRIPTION	ENGLISH DESCRIPTION	WEIGHT T KG	NOTE
3040201155	RP330X490DIAG.PIA.PAR.ST.648X2500MM Z.S.	RP 330/490, narrow start, horizontal brace 648x2500mm, Z.S.	6,24	

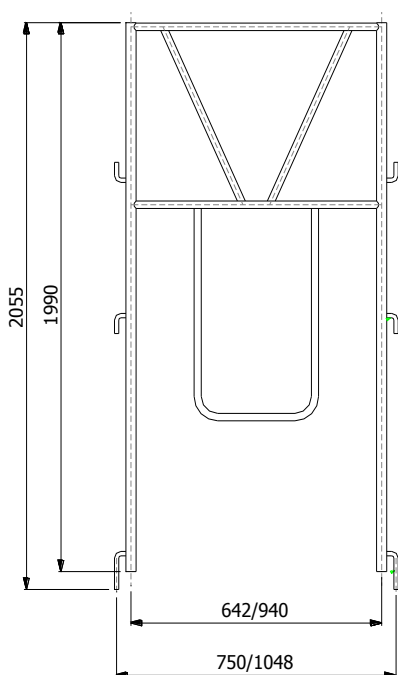
			NOTE	
CODE	ITALIAN DESCRIPTION	ENGLISH DESCRIPTION	WEIGHT T KG	NOTE
3040201165	RP330-490DIAG.PIA.PAR.ST.348X2500MM Z.S.	RP 330/490, narrow start, horizontal brace 348x2500mm, Z.S.	5,85	

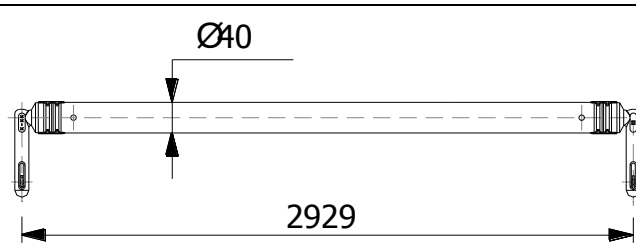
			NOTE	
CODE	ITALIAN DESCRIPTION	ENGLISH DESCRIPTION	WEIGHT T KG	NOTE
3040201175	RP330-490 CORRENTE PARAP. 2500 MM Z.S.	RP 330/490, 2500 mm ledger with forged pin, Z.S.	5,80	

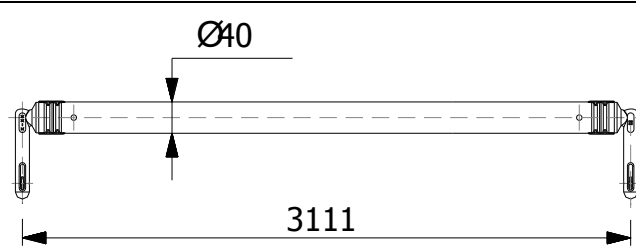
			NOTE	
CODE	ITALIAN DESCRIPTION	ENGLISH DESCRIPTION	WEIGHT T KG	NOTE
3040201195	RP330-490DIAGONALE PIANTA 2645MM EN Z.S.	RP EN 105, horizontal brace 2645 mm Z.S.	6,23	

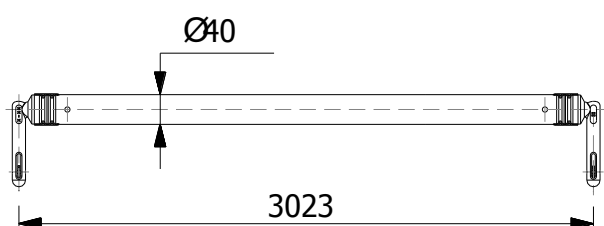
			NOTE	
CODE	ITALIAN DESCRIPTION	ENGLISH DESCRIPTION	WEIGHT T KG	NOTE
3040201266	RP330-490DIAG.PIA.PAR.ST.648X1800MM Z.S.	RP 330/490, narrow start, horizontal brace 648x1800mm, Z.S.	3,03	

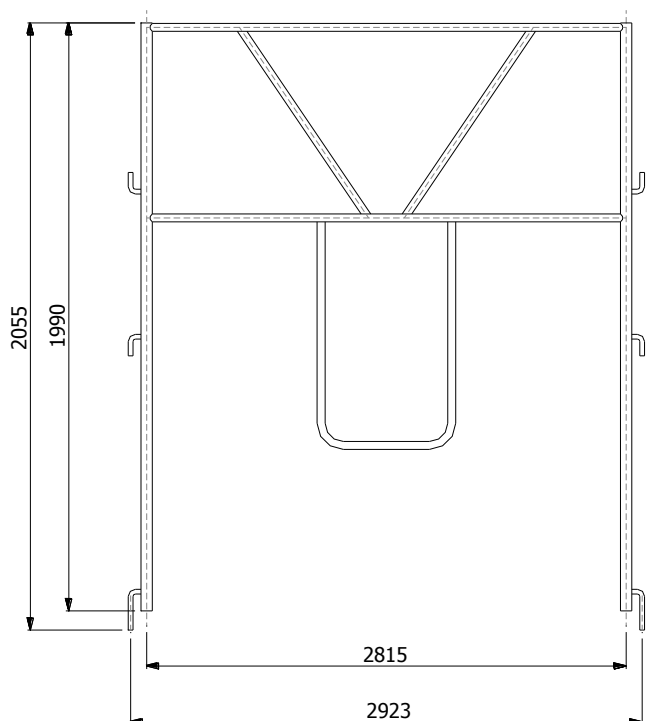
			NOTE	
CODE	ITALIAN DESCRIPTION	ENGLISH DESCRIPTION	WEIGHT T KG	NOTE
3040201661	PARAPETTO SICUREZZA RP 1800 EN Z.C.	RP EN, safety fencing 1800 mm Z.C.	16,98	
3040201671	PARAPETTO SICUREZZA RP 2500 EN Z.C.	RP EN, safety fencing 2500 mm Z.C.	18,74	

			NOTE	
CODE	ITALIAN DESCRIPTION	ENGLISH DESCRIPTION	WEIGHT T KG	NOTE
3040201681	PARAPETTO SICUREZZA RP 1048 EN Z.C.	RP EN, safety fencing 1048 mm Z.C.	15,10	
3040201691	PARAPETTO SICUREZZA RP 750 EN Z.C.	RP EN, safety fencing 750 mm Z.C.	14,08	

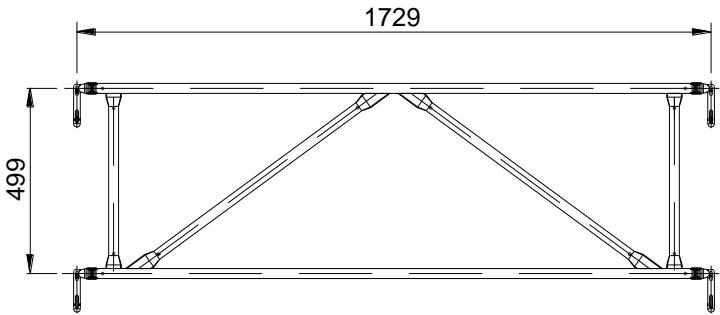
			NOTE	
CODE	ITALIAN DESCRIPTION	ENGLISH DESCRIPTION	WEIGHT T KG	NOTE
3040201705	CORRENTE PP RP 2929 MM EN Z.S	RP EN, 3000 mm ledger with forged pin, Z.S.	6,69	

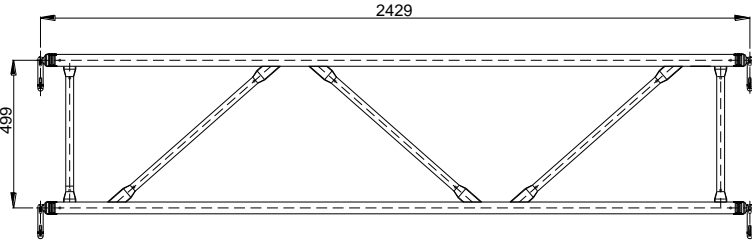
			NOTE	
CODE	ITALIAN DESCRIPTION	ENGLISH DESCRIPTION	WEIGHT T KG	NOTE
3040201715	DIAG. PIA/VIS PP RP 105 3111 MM EN Z.S.	RP EN, 3000 mm vert./hor. brace with forged pin, Z.S.	7,05	

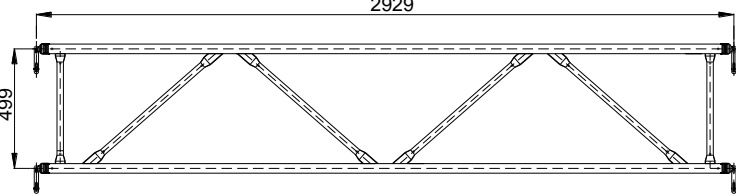
			NOTE	
CODE	ITALIAN DESCRIPTION	ENGLISH DESCRIPTION	WEIGHT T KG	NOTE
3040201725	DIAGONALE PIANTA PP RP75 3023 MM EN Z.S.	RP EN, 3000x750 mm hor. brace with forged pin, Z.S.	6,87	

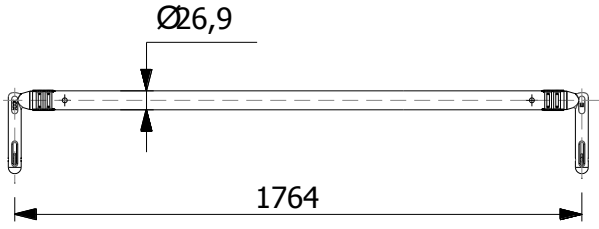
			NOTE	
CODE	ITALIAN DESCRIPTION	ENGLISH DESCRIPTION	WEIGHT T KG	NOTE
3040201751	PARAPETTO SICUREZZA RP 3000 EN Z.C.	RP EN, safety fencing 3000 mm Z.C.	21,96	

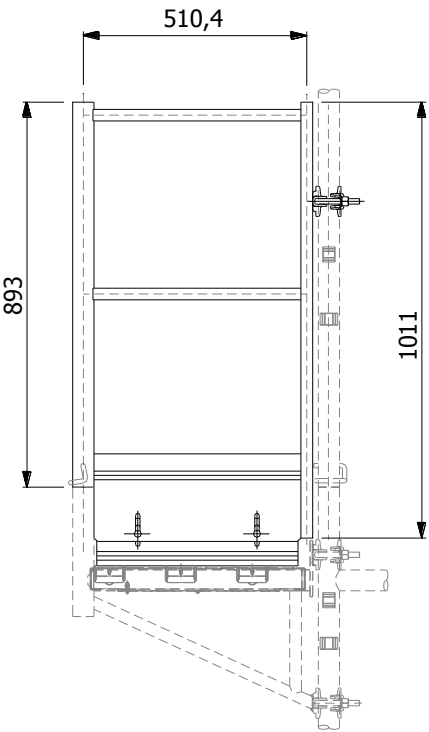


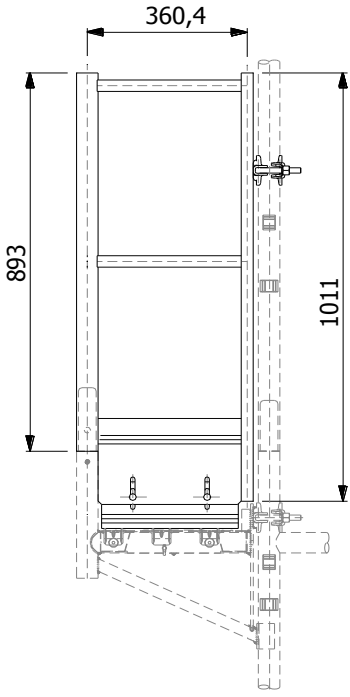
			NOTE	
CODE	ITALIAN DESCRIPTION	ENGLISH DESCRIPTION	WEIGHT T KG	NOTE
3040201791	TRALICCIO PARAPETTO RP 1800 MM EN Z.C.	RP EN, double fencing 1800 mm Z.C.	8,85	

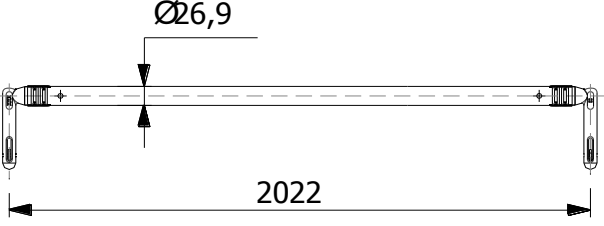
			NOTE	
CODE	ITALIAN DESCRIPTION	ENGLISH DESCRIPTION	WEIGHT T KG	NOTE
3040201801	TRALICCIO PARAPETTO RP 2500 MM EN Z.C.	RP EN, double fencing 2500 mm Z.C.	15,42	

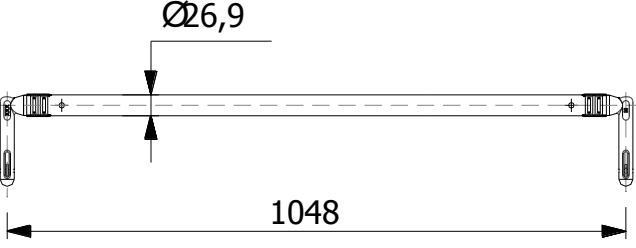
			NOTE	
CODE	ITALIAN DESCRIPTION	ENGLISH DESCRIPTION	WEIGHT T KG	NOTE
3040201851	TRALICCIO PARAPETTO RP 3000 MM EN Z.C.	RP EN, double fencing 3000 mm Z.C.	18,20	

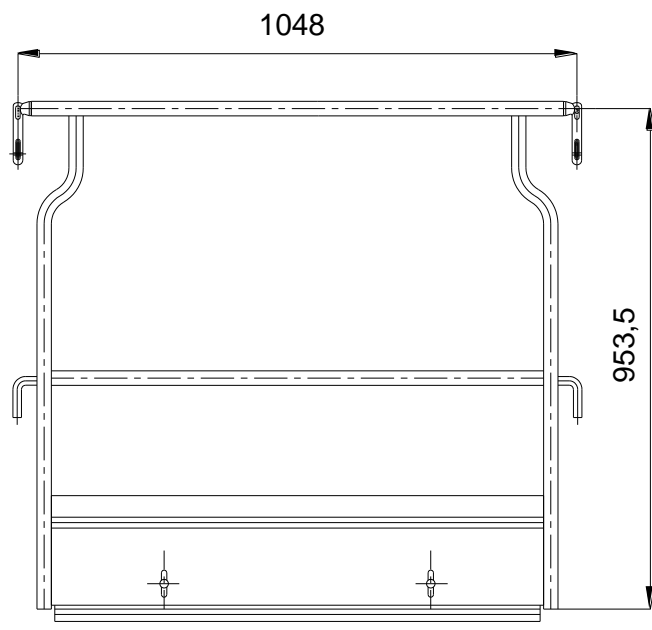
			NOTE	
CODE	ITALIAN DESCRIPTION	ENGLISH DESCRIPTION	WEIGHT T KG	NOTE
3040202065	RP330-490DIAG.PIA.PAR.ST.348X1800MM Z.S.	RP 330/490, narrow start, horizontal brace 348x1800mm, Z.S.	2,93	

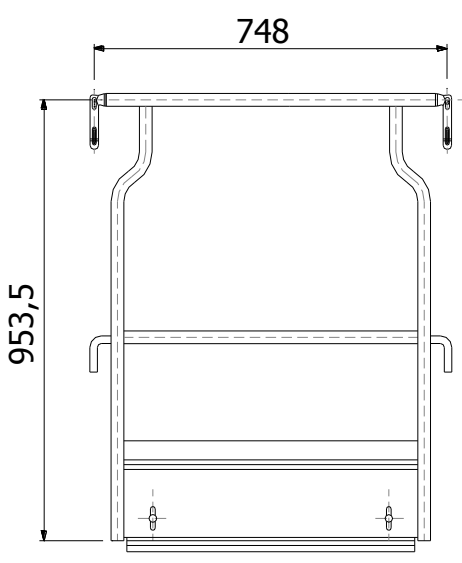
			NOTE	
CODE	ITALIAN DESCRIPTION	ENGLISH DESCRIPTION	WEIGHT T KG	NOTE
3040204271	RP EN TEL.PAR.TES.MEN.INT.TES.560MM Z.C.	RP EN, side fencing for side bracket 560 mm Z.C.	8,95	

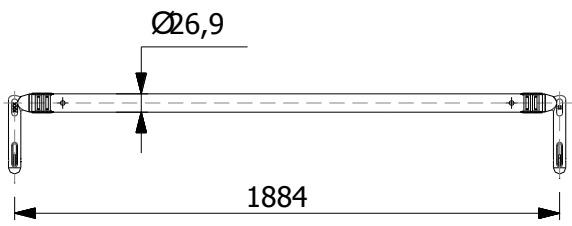
			NOTE	
CODE	ITALIAN DESCRIPTION	ENGLISH DESCRIPTION	WEIGHT T KG	NOTE
3040204281	RP EN TEL.PAR.TES.MEN.INT.TES.410MM Z.C.	RP EN, side fencing for side bracket 410 mm Z.C.	7,72	

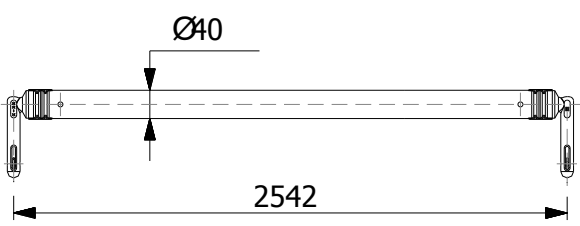
			NOTE	
CODE	ITALIAN DESCRIPTION	ENGLISH DESCRIPTION	WEIGHT T KG	NOTE
3040206015	RP330-490DIAG.PIANTA-VISTA2022MM EN Z.S.	RP 105 EN, horizontal & vertical brace, 2022 mm Z.S.	3,26	

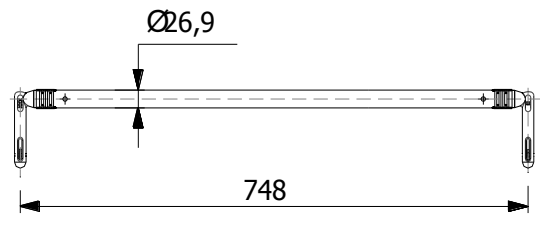
			NOTE	
CODE	ITALIAN DESCRIPTION	ENGLISH DESCRIPTION	WEIGHT T KG	NOTE
3040206065	RP330-490 CORRENTE TESTATA 1048 MM Z.S.	RP 330/490, 1050 mm transom with forged pin, Z.S.	2,02	

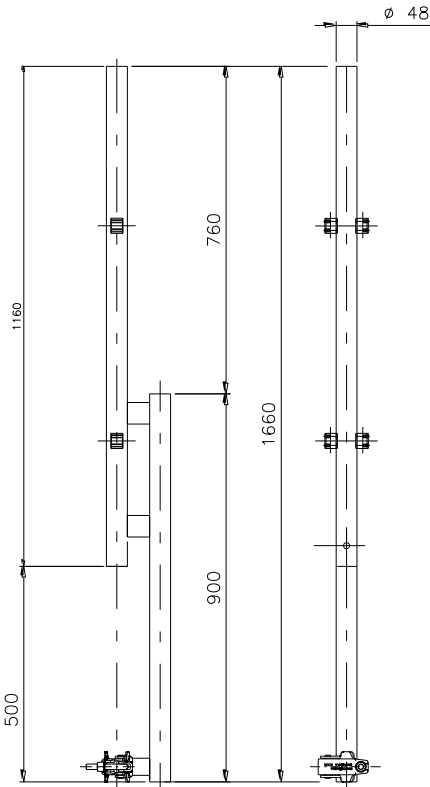
			NOTE	
CODE	ITALIAN DESCRIPTION	ENGLISH DESCRIPTION	WEIGHT T KG	NOTE
3040206131	TELAIO PARAP. TESTATA RP 1050 MM EN Z.C.	RP EN, side fencing, 1050 mm Z.C.	10,82	

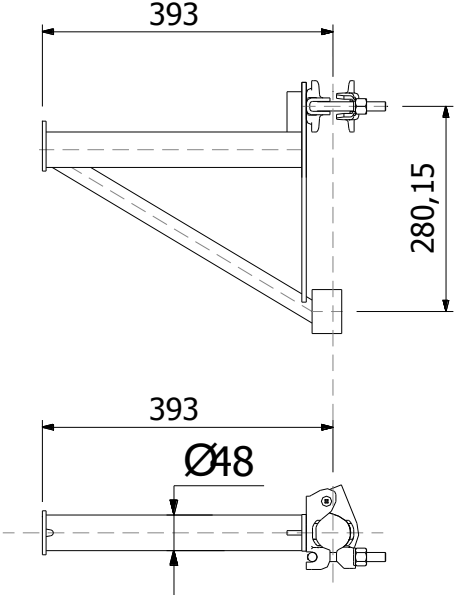
			NOTE	
CODE	ITALIAN DESCRIPTION	ENGLISH DESCRIPTION	WEIGHT T KG	NOTE
3040206141	TELAIO PARAP. TESTATA RP 750 MM EN Z.C.	RP EN, side fencing, 750 mm Z.C.	8,67	

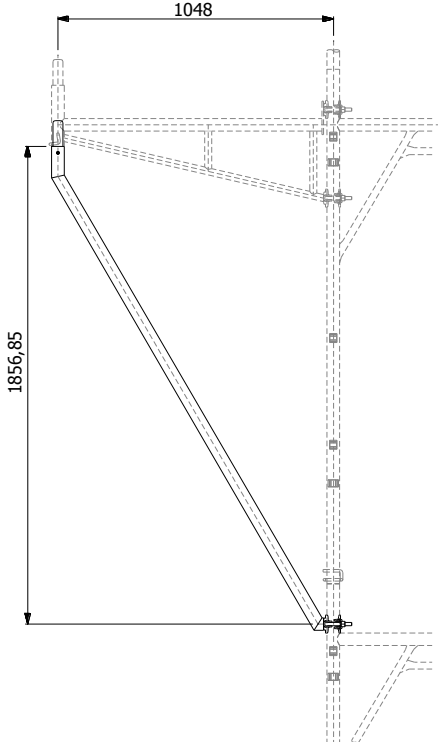
			NOTE	
CODE	ITALIAN DESCRIPTION	ENGLISH DESCRIPTION	WEIGHT T KG	NOTE
3040206165	DIAGONALE PIANTA PP RP75 1884 MM Z.S.	RP, 75x1800, horizontal brace 1884 mm, Z.S.	3,33	

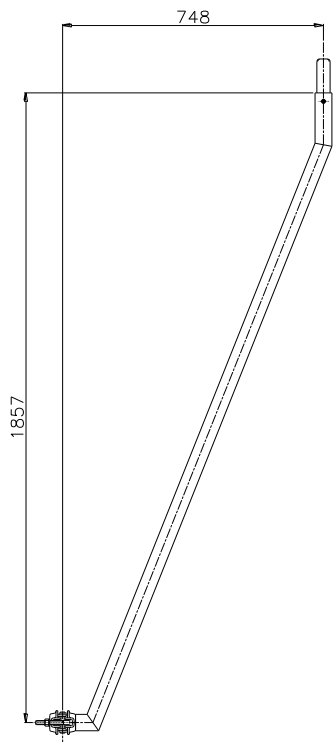
			NOTE	
CODE	ITALIAN DESCRIPTION	ENGLISH DESCRIPTION	WEIGHT T KG	NOTE
3040206175	DIAGONALE PIANTA PP RP75 2542 MM Z.S.	RP, 75x2500, horizontal brace 2542 mm, Z.S.	5,94	

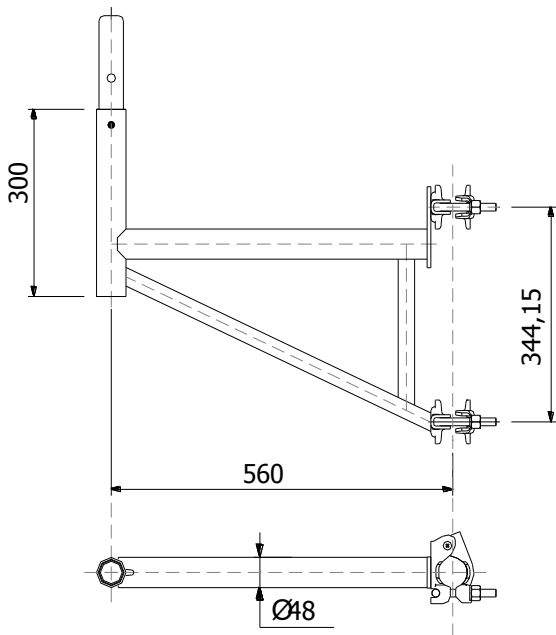
			NOTE	
CODE	ITALIAN DESCRIPTION	ENGLISH DESCRIPTION	WEIGHT T KG	NOTE
3040206185	CORRENTE TESTATA PP RP 750 MM Z.S.	RP 75, mm transom with forged pin, Z.S.	1,66	

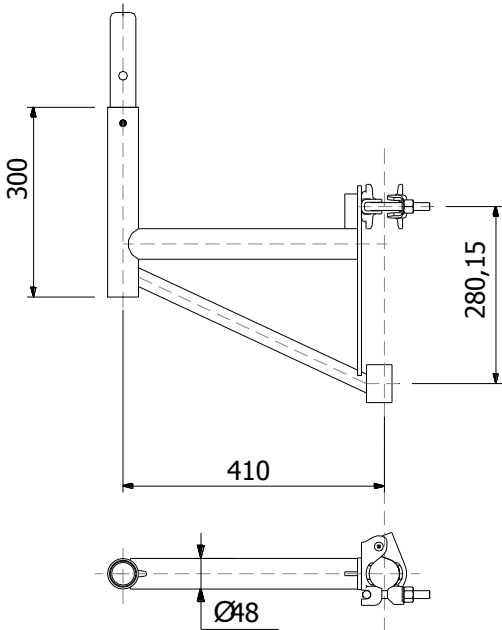
			NOTE	
CODE	ITALIAN DESCRIPTION	ENGLISH DESCRIPTION	WEIGHT T KG	NOTE
3040303021	TERMINALE SEMPLICE C/RINF. RP EN Z.C.	RP EN, simple reinforced terminal, Z.C.	8,67	

			NOTE	
CODE	ITALIAN DESCRIPTION	ENGLISH DESCRIPTION	WEIGHT T KG	NOTE
3040304051	RP330-T5 MENSOLA INTERMEDIA 393 MM Z.C.	RP 330-T5, 393 mm intermediate bracket, Z.C.	4,43	

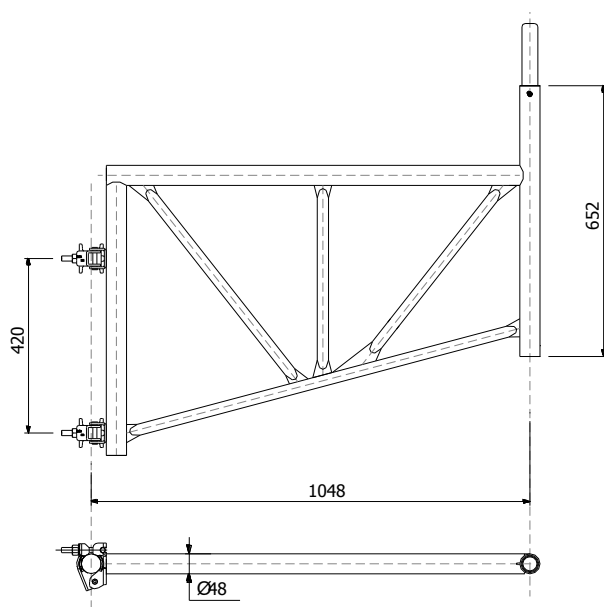
			NOTE	
CODE	ITALIAN DESCRIPTION	ENGLISH DESCRIPTION	WEIGHT T KG	NOTE
3040305011	RP330-490 PUNT. MENS. DISAS. 1048MM Z.C.	RP 330/490, 1050 mm offset bracket strut, Z.C.	8,80	

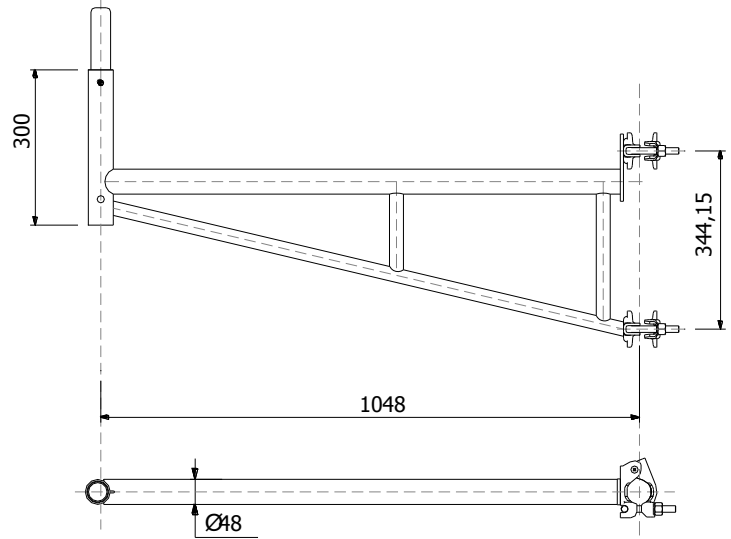
			NOTE	
CODE	ITALIAN DESCRIPTION	ENGLISH DESCRIPTION	WEIGHT T KG	NOTE
3040306141	PUNSTONE X MENSOLA DISASSAM. 748 EN ZC	RP EN, 750 mm offset bracket strut, Z.C.	8,25	

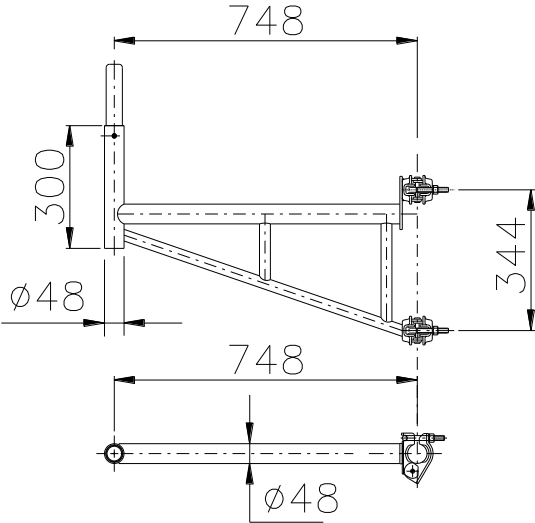
			NOTE	
CODE	ITALIAN DESCRIPTION	ENGLISH DESCRIPTION	WEIGHT T KG	NOTE
3040306501	RP490-UF MENSOLA INT.TESTATA 560MM Z.C.	RP490-UF, 560 mm side bracket, Z.C.	6,03	

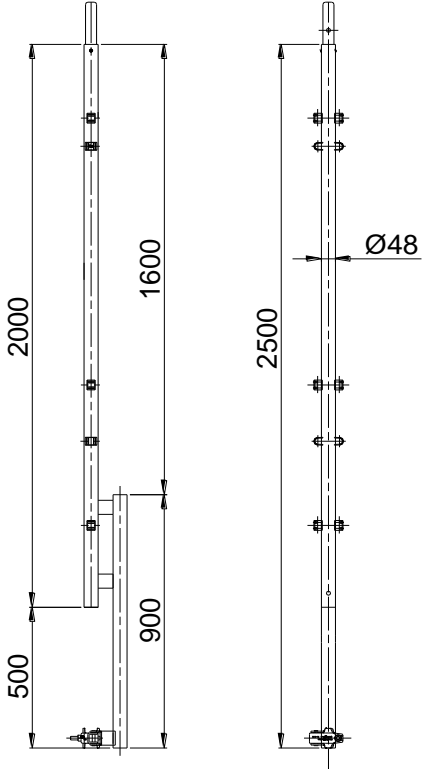
			NOTE	
CODE	ITALIAN DESCRIPTION	ENGLISH DESCRIPTION	WEIGHT T KG	NOTE
3040306701	RP330-UF MENSOLA INT.TESTATA 410MM Z.C.	RP 330-UF, 410 mm side bracket, Z.C.	5,03	

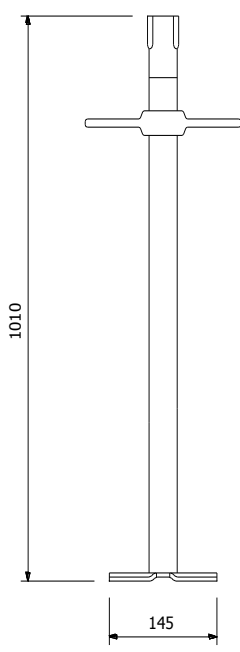


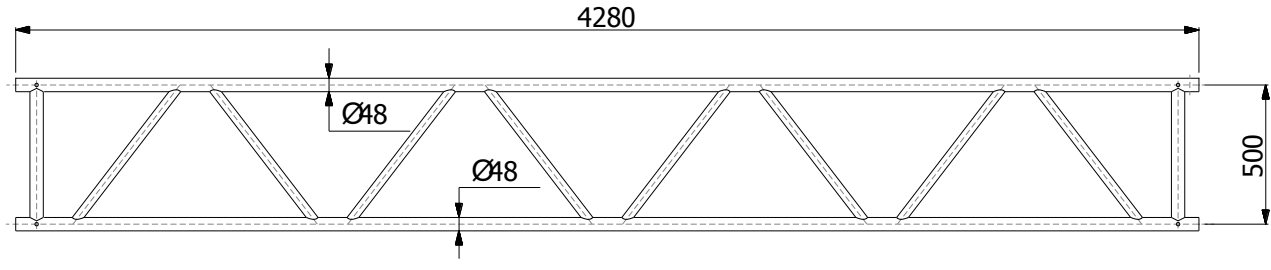
			NOTE	
CODE	ITALIAN DESCRIPTION	ENGLISH DESCRIPTION	WEIGHT T KG	NOTE
3040306901	RP330-490-UF MENSOLA RINF.G. 1048MM Z.C.	RP 330/490-UF, 1050 mm loading platform bracket, Z.C.	13,46	

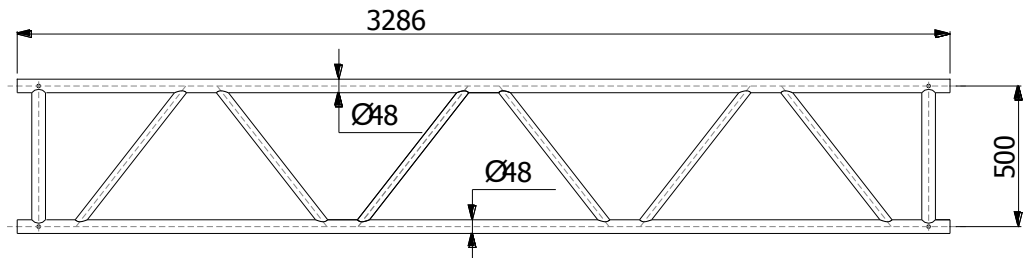
			NOTE	
CODE	ITALIAN DESCRIPTION	ENGLISH DESCRIPTION	WEIGHT T KG	NOTE
3040307201	RP330-490-UF MENSOLA SEMPL.G. 1048MM Z.C.	RP 330/490-UF, 1050 mm offset bracket, Z.C.	8,58	

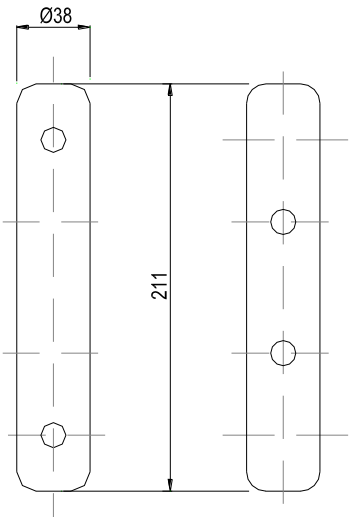
			NOTE	
CODE	ITALIAN DESCRIPTION	ENGLISH DESCRIPTION	WEIGHT T KG	NOTE
3040307501	MENS. AMPL. 748 GIUNTI SEMPL. RP75 ZC	RP EN, 750 mm offset bracket, Z.C.	7,01	

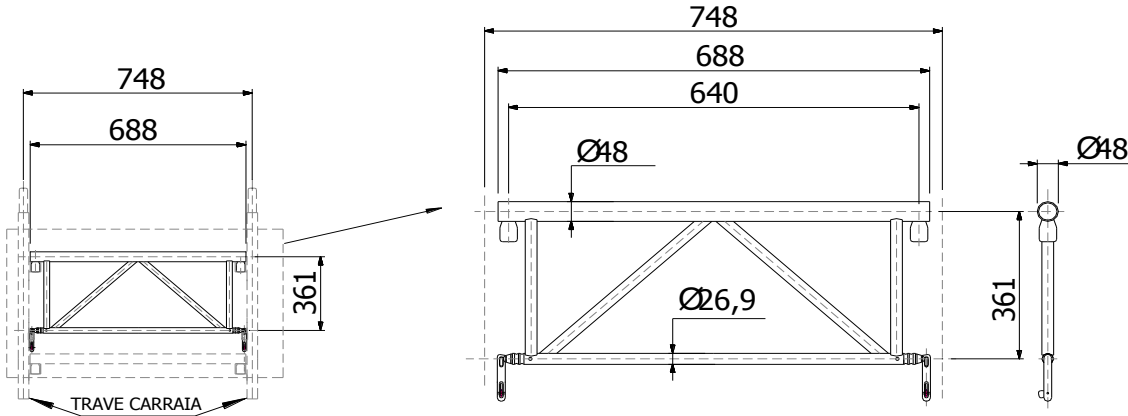
			NOTE	
CODE	ITALIAN DESCRIPTION	ENGLISH DESCRIPTION	WEIGHT T KG	NOTE
3040404111	RP EN MONT. PARAP. SOMM. RINF. 2000 MM Z.C.	RP EN, reinforced top parapet post 2000 mm, Z.C.	12,36	

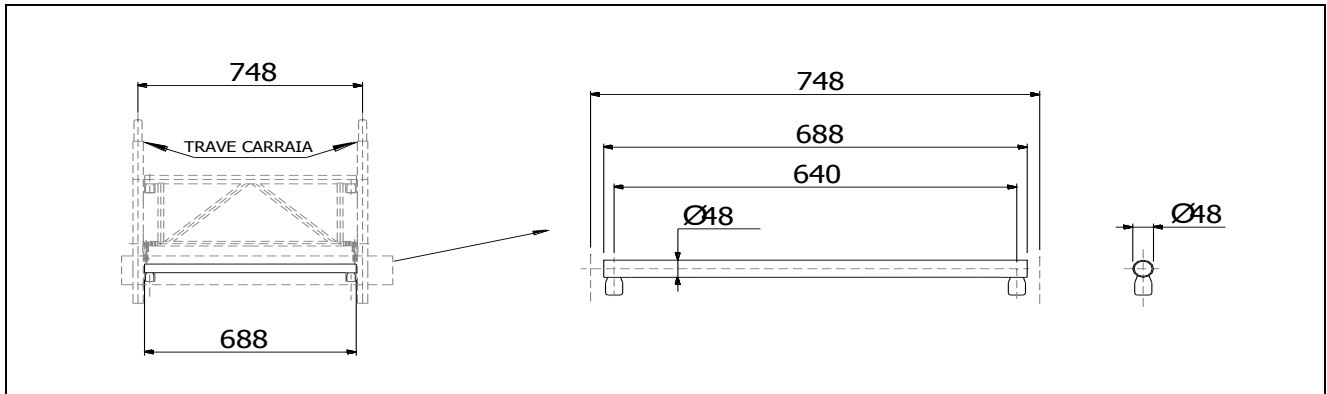
			NOTE	
CODE	ITALIAN DESCRIPTION	ENGLISH DESCRIPTION	WEIGHT T KG	NOTE
3040501012	BASSETTA REGOLABILE 1000 MM Z.EL.	Adjustable base jack 1000 mm Z.EL.	4,69	

				
NOTE				
CODE	ITALIAN DESCRIPTION	ENGLISH DESCRIPTION	WEIGHT T KG	NOTE
3040601041	TRAVETTA LISCIA TRALICCIATA 4280 MM Z.C.	4280 mm truss beam , Z.C.	44,73	

				
NOTE				
CODE	ITALIAN DESCRIPTION	ENGLISH DESCRIPTION	WEIGHT T KG	NOTE
3040601051	TRAVETTA LISCIA TRALICCIATA 3286 MM Z.C.	3286 mm truss beam , Z.C.	34,86	

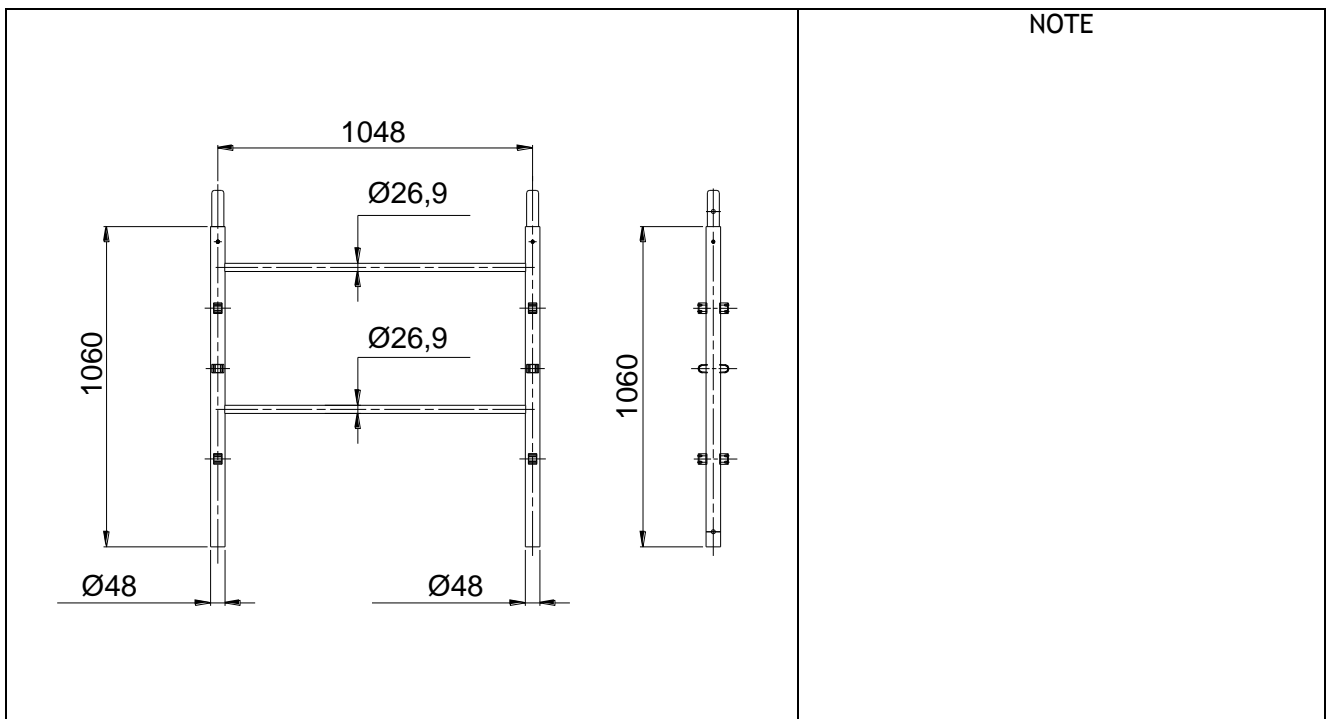
			NOTE	
CODE	ITALIAN DESCRIPTION	ENGLISH DESCRIPTION	WEIGH T KG	NOTE
3040601061	SPINOTTO X TRAVETTA TRALICCIATA Z.C.	Truss beams spigot pin, Z.C.	0,70	

				
NOTE				
CODE	ITALIAN DESCRIPTION	ENGLISH DESCRIPTION	WEIGH T KG	NOTE
3040601151	TRAVETTA COLLEG 748 X TRAVI CARRAIE ZC	RP, 750 mm bridging ledger junction beam, Z.C.	5,90	



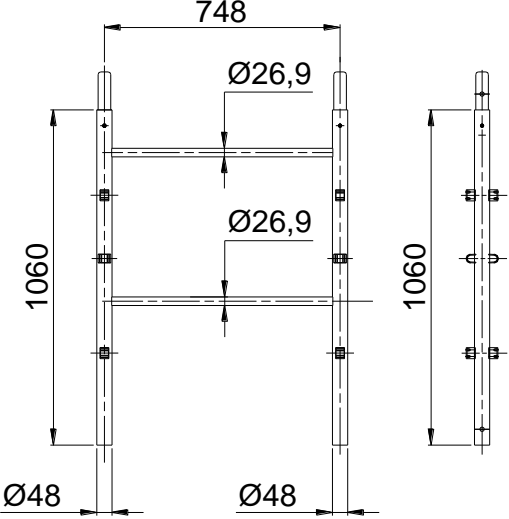
NOTE

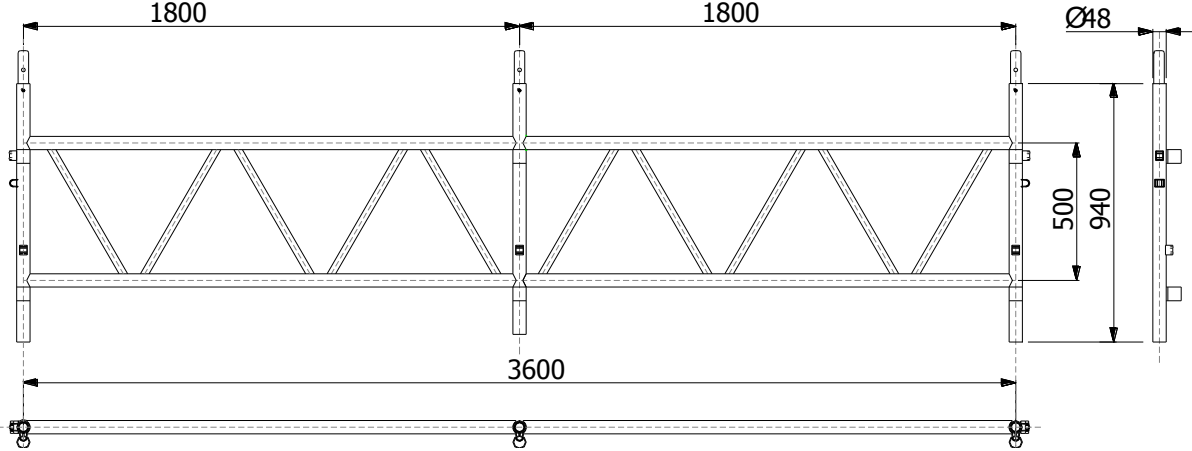
CODE	ITALIAN DESCRIPTION	ENGLISH DESCRIPTION	WEIGHT T KG	NOTE
3040601171	TRAVERS. TRAV. COLL. 748 TRAVI CARR. ZC	RP, 750 mm bridging ledger transom, Z.C.	2,54	

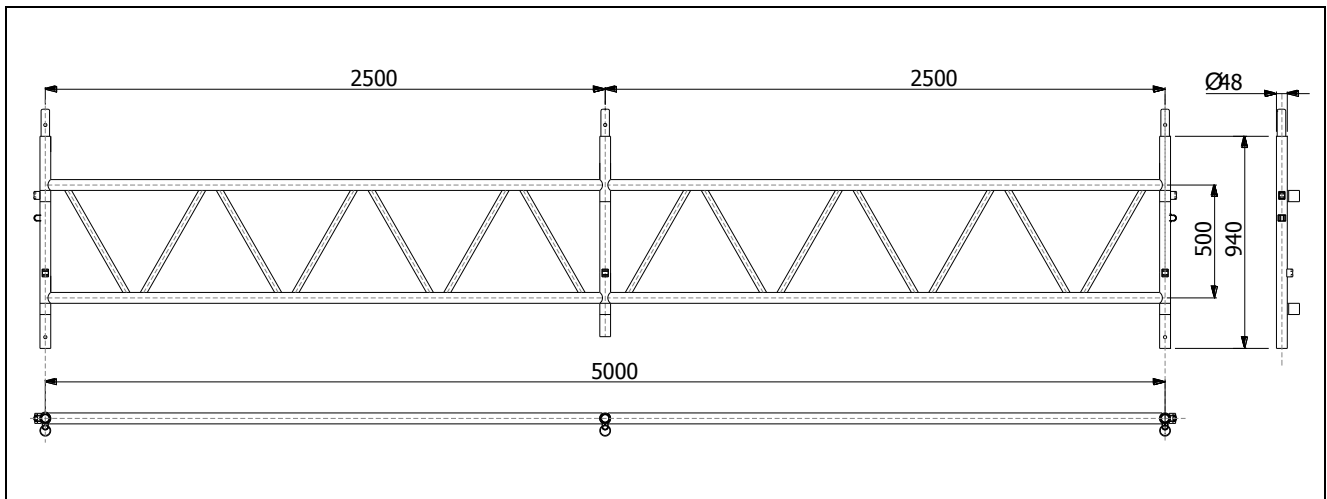


NOTE

CODE	ITALIAN DESCRIPTION	ENGLISH DESCRIPTION	WEIGHT T KG	NOTE
3040603011	RP EN COLLEG. TRAVE CAR. 1048X1060 MM Z.C.	RP EN, 1050 bridging ledger comp. frame h.1060 mm, Z.C.	11,50	

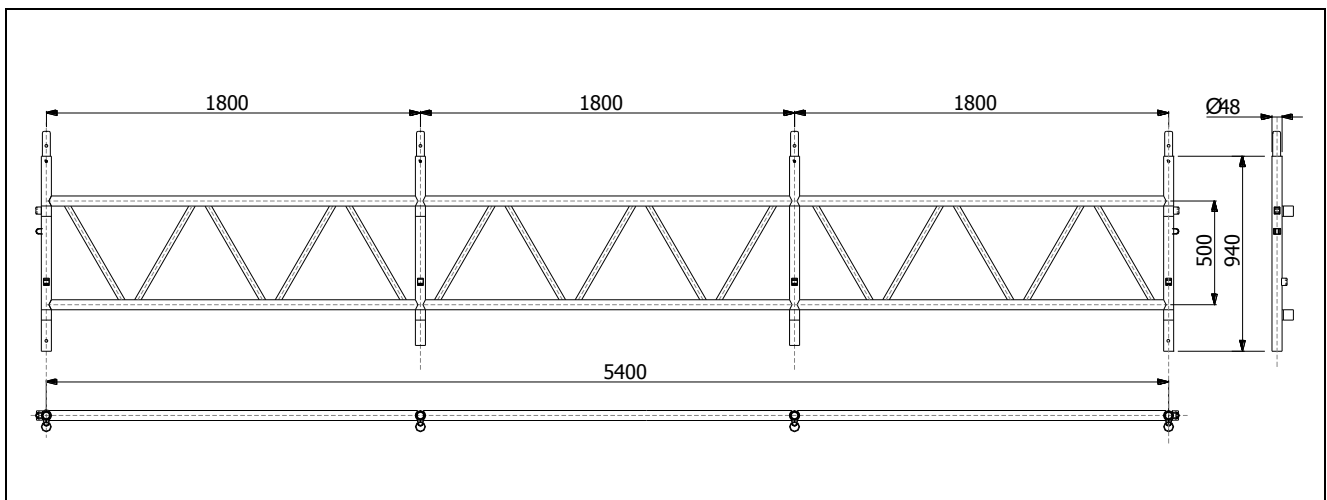
			NOTE	
CODE	ITALIAN DESCRIPTION	ENGLISH DESCRIPTION	WEIGHT T KG	NOTE
3040603021	RP EN COLLEG.TRAVE CAR.748X1060 MM Z.C.	RP EN, 750 bridging ledger comp. frame h.1060 mm, Z.C.	10,78	

				
NOTE				
CODE	ITALIAN DESCRIPTION	ENGLISH DESCRIPTION	WEIGHT T KG	NOTE
3040604021	RP330-490 TRAVE CARRAIA DA 3600 MM Z.C.	RP 330/490, bridging ledger 3600 mm, Z.C.	43,50	



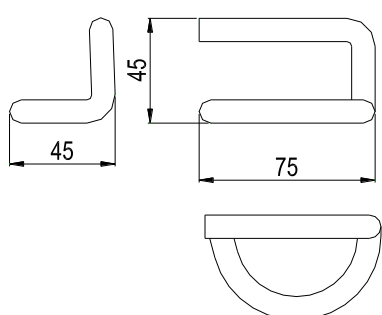
NOTE

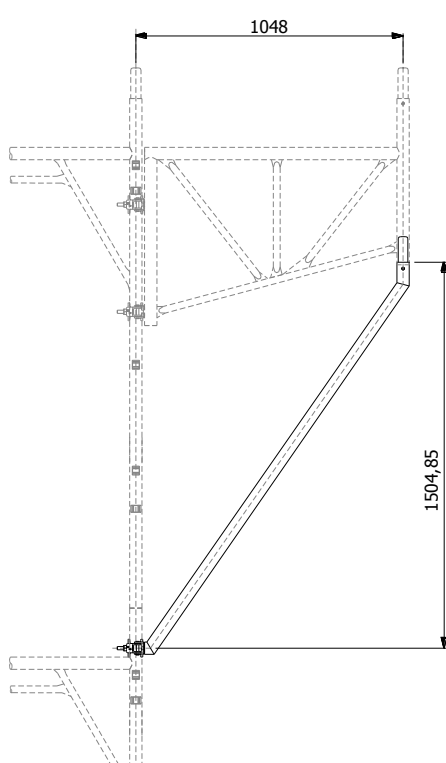
CODE	ITALIAN DESCRIPTION	ENGLISH DESCRIPTION	WEIGH T KG	NOTE
3040604031	RP330-490 TRAVE CARRAIA DA 5000 MM Z.C.	RP 330/490, bridging ledger 5000 mm, Z.C.	55,82	



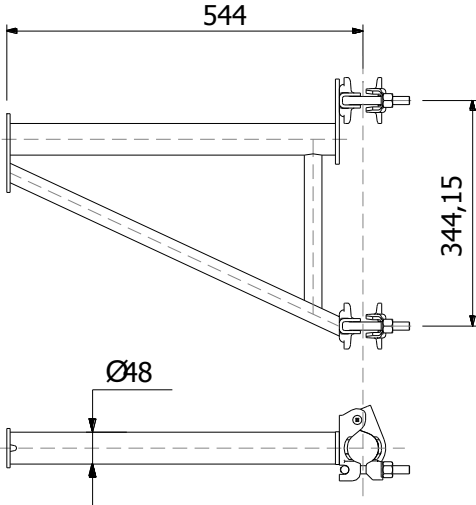
NOTE

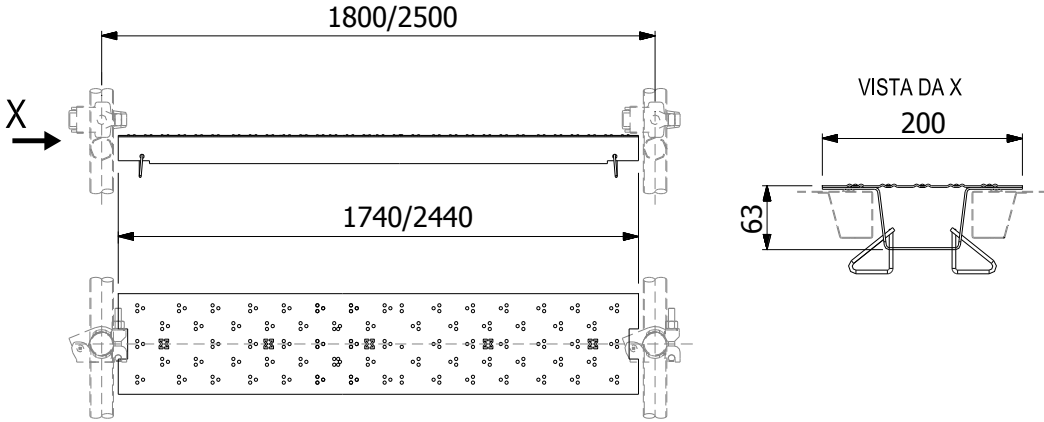
CODE	ITALIAN DESCRIPTION	ENGLISH DESCRIPTION	WEIGH T KG	NOTE
3040604041	RP330-490 TRAVE CARRAIA DA 5400 MM Z.C.	RP 330/490, bridging ledger 5400 mm, Z.C.	63,06	

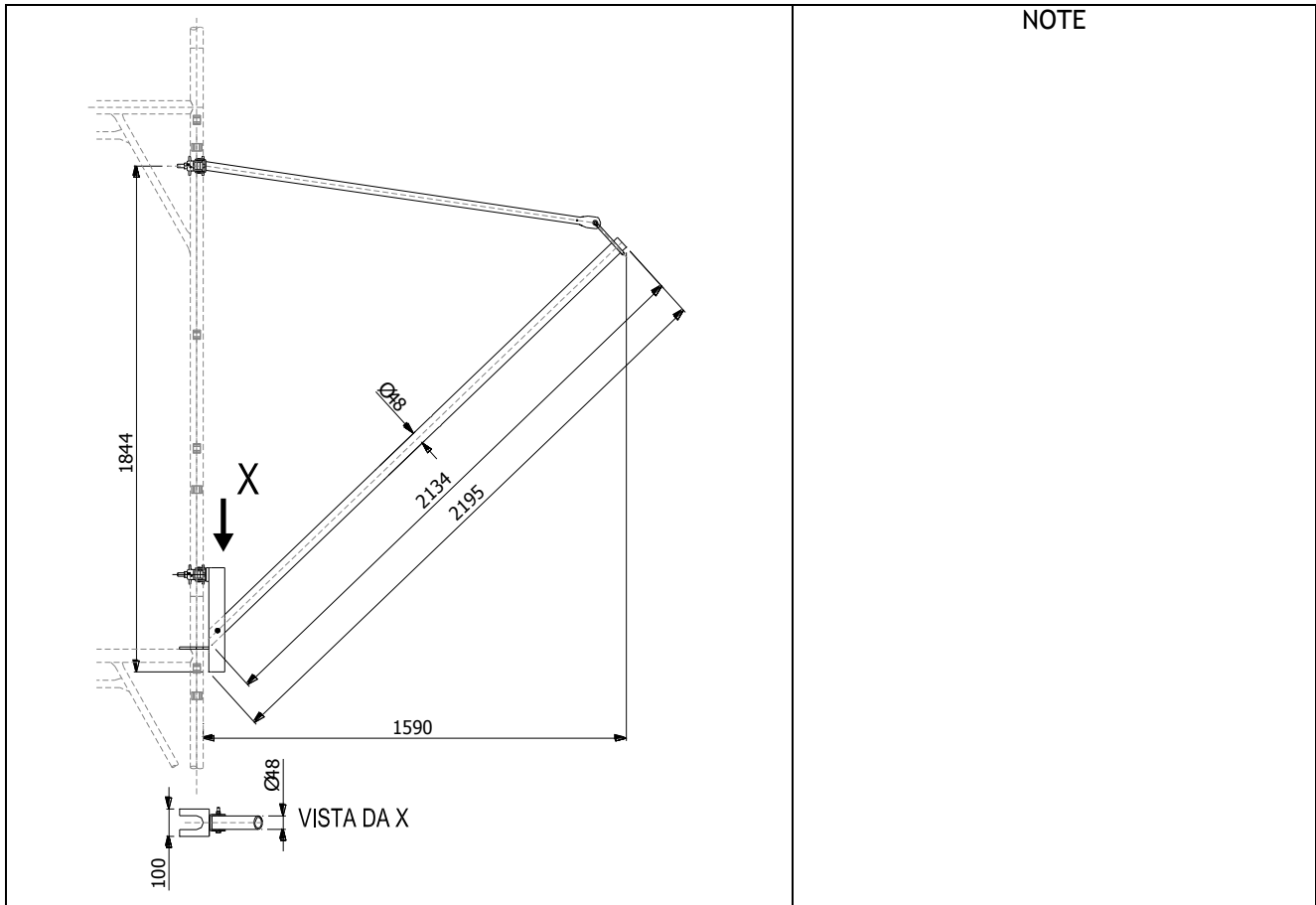
			NOTE	
CODE	ITALIAN DESCRIPTION	ENGLISH DESCRIPTION	WEIGHT T KG	NOTE
3040701006	SPINA D. 10 MM Z.TR.	10 mm diameter spigot pin, Z.TR.	0,12	

			NOTE	
CODE	ITALIAN DESCRIPTION	ENGLISH DESCRIPTION	WEIGHT T KG	NOTE
3040800331	T5-RP PUNTO NE MEN.PI.AZ.CAR.1048MM Z.C.	T5 - RP,1050 mm loading platform bracket strut, Z.C.	7,77	



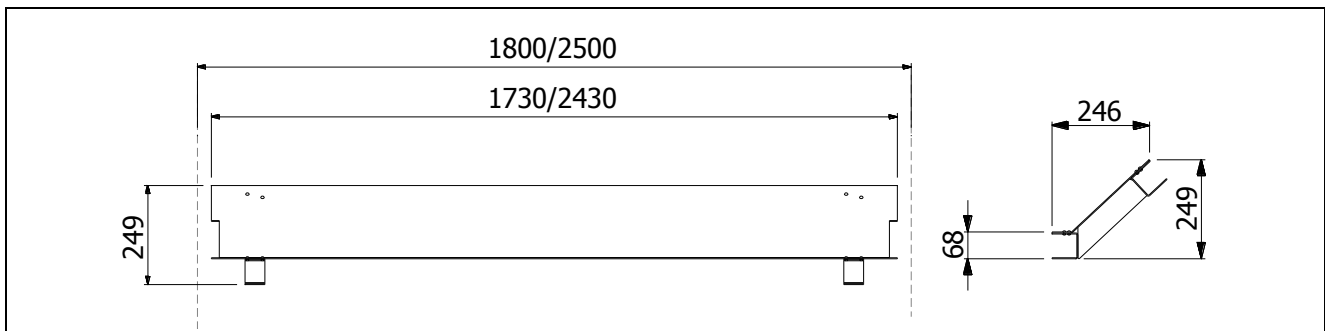
NOTE				
				
CODE	ITALIAN DESCRIPTION	ENGLISH DESCRIPTION	WEIGHT T KG	NOTE
3040800341	RP490-T5 MENSOLA INTERNA INT. 544MM Z.C.	RP 490 - T5, 544 mm intermediate bracket, Z.C.	4,55	

NOTE				
				
CODE	ITALIAN DESCRIPTION	ENGLISH DESCRIPTION	WEIGHT T KG	NOTE
3040800351	T5-RP COMPENSO MEN.SFALS. 1800 MM Z.C.	T5 - RP,1800 mm deck compens. for intermediate bracket, Z.C.	11,30	
3040800381	RP330-490COMP.MENS.INT-DISAS.2500MM Z.C.	RP 330/490, 2500 mm deck compens. for intermediate bracket, Z.C.	15,80	



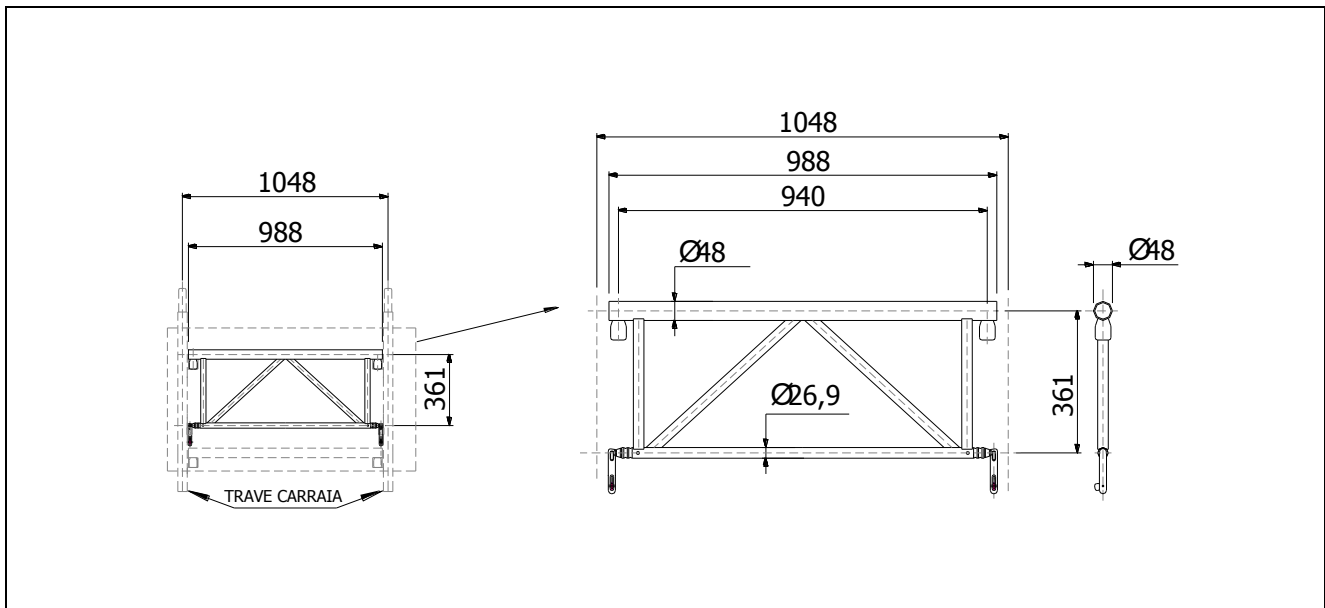
NOTE

CODE	ITALIAN DESCRIPTION	ENGLISH DESCRIPTION	WEIGHT T KG	NOTE
3040800401	RP-330-490-T5 PARAS.UNIF.PIEGHEVOLE Z.C.	RP 330/490/ T5, foldable street protection element, Z.C.	18,60	



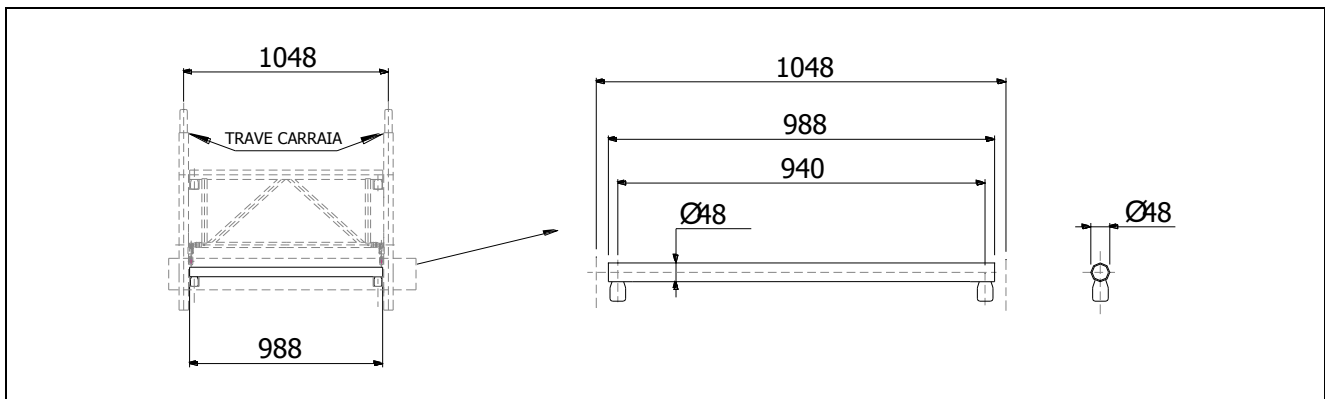
NOTE

CODE	ITALIAN DESCRIPTION	ENGLISH DESCRIPTION	WEIGHT T KG	NOTE
3040800411	RP330-490-T5 COMPENSO PARAS. 1800MM Z.C.	RP 330/490/ T5, 2500 mm comp. street protection , Z.C.	11,88	
3040800421	RP330-490 COMPENSO PARASASSI 2500MM Z.C.	RP 330/490, 2500 mm comp. street protection , Z.C.	17,00	



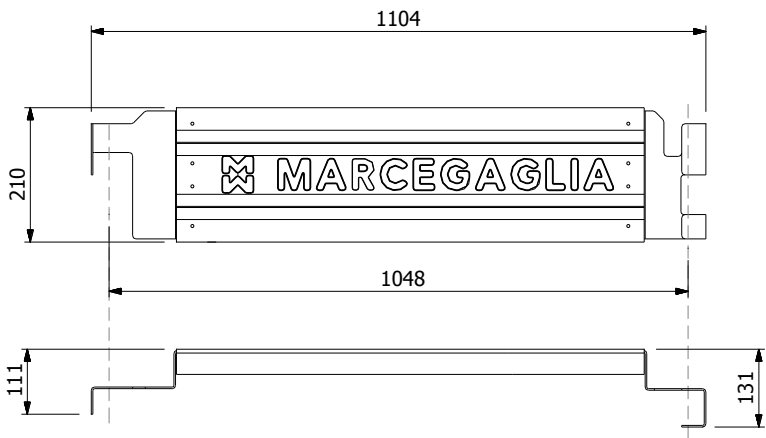
NOTE

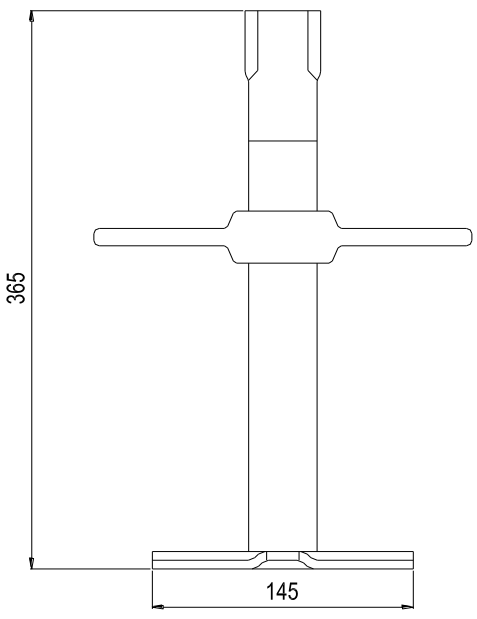
CODE	ITALIAN DESCRIPTION	ENGLISH DESCRIPTION	WEIGHT T KG	NOTE
3040800471	RP330-490-T5 TRAV.COL.1048MMTRAV.CAR.Z.C.	RP 330/490-T5, bridging ledger junction beam, Z.C.	7,60	

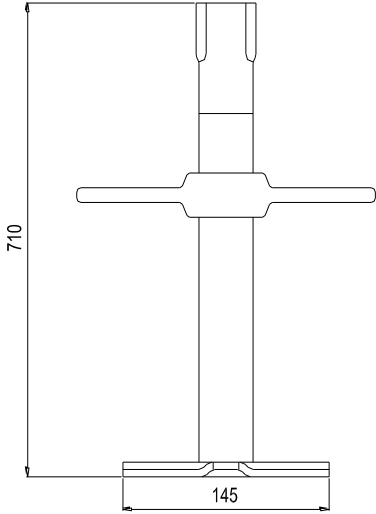


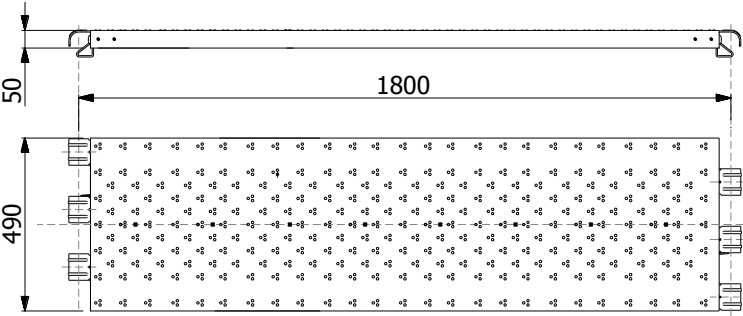
NOTE

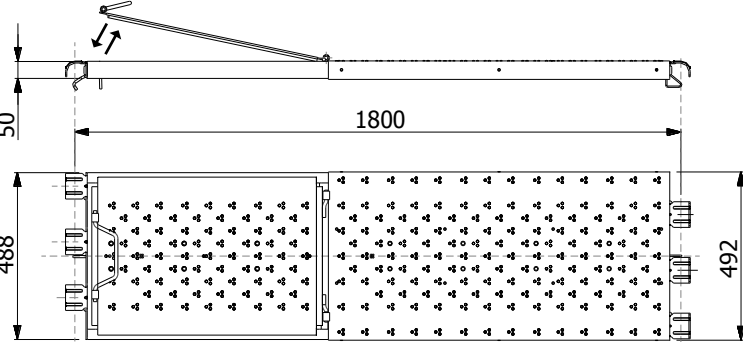
CODE	ITALIAN DESCRIPTION	ENGLISH DESCRIPTION	WEIGHT T KG	NOTE
3040800481	RP330-490-T5 TRAVERSO TRAVI CARRAIE Z.C.	RP 330/490-T5, bridging ledger transom, Z.C.	3,55	

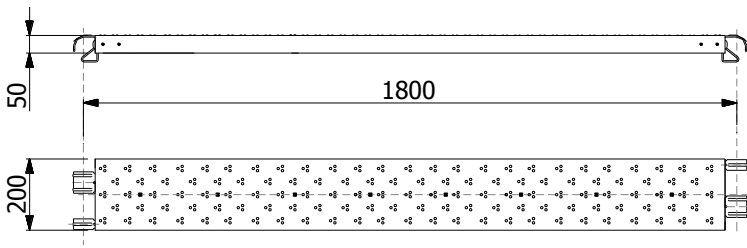
			NOTE	
CODE	ITALIAN DESCRIPTION	ENGLISH DESCRIPTION	WEIGHT T KG	NOTE
3040800711	RP330-490-T5-SX FERM. TEST. UNI.1048MMZ.S.	Toeboard UNIFICATO 1050 mm, Z.S.	3,87	

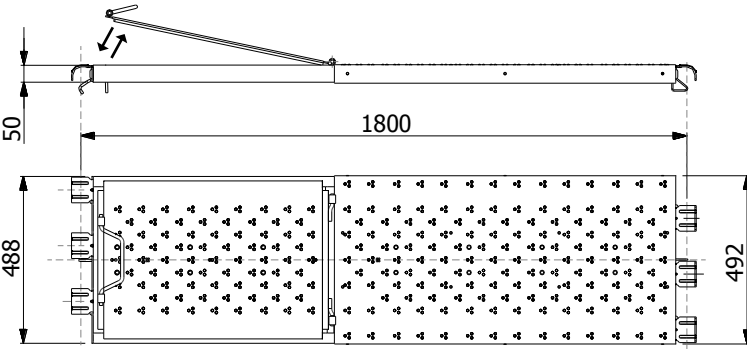
			NOTE	
CODE	ITALIAN DESCRIPTION	ENGLISH DESCRIPTION	WEIGHT T KG	NOTE
3040800901	BASSETTA REGOLABILE H 355 MM Z.C.	355 mm adjustable base jack, Z.C.	2,54	
3040800902	BASSETTA REGOLABILE H 355 MM Z.EL.	355 mm adjustable base jack, Z.EL.	2,49	

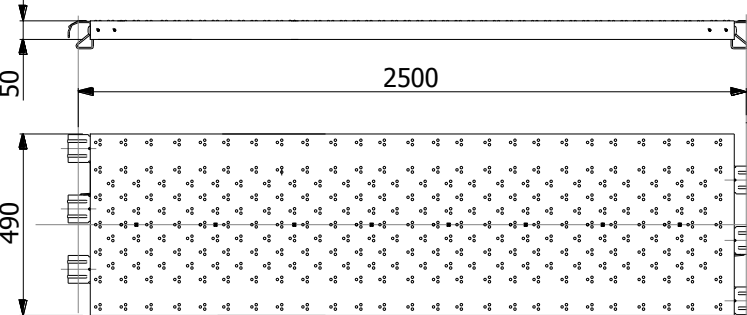
			NOTE	
CODE	ITALIAN DESCRIPTION	ENGLISH DESCRIPTION	WEIGHT T KG	NOTE
3060300141	BASETTA REGOLABILE 700 MM Z.EL.	700 mm adjustable base jack, Z.EL.	3,30	

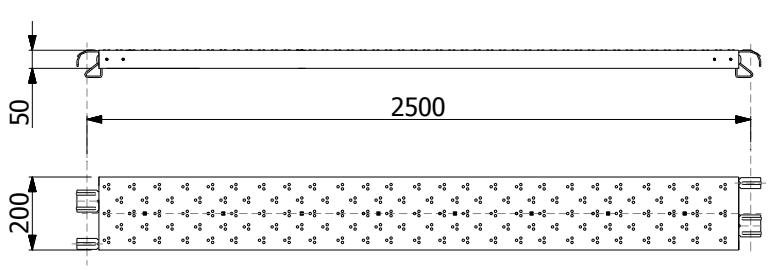
			NOTE	
CODE	ITALIAN DESCRIPTION	ENGLISH DESCRIPTION	WEIGHT T KG	NOTE
3070100001	TAVOLA MET. 1800 X 500 ZZ	500x1800 mm steel plank,Z.S.	15,05	

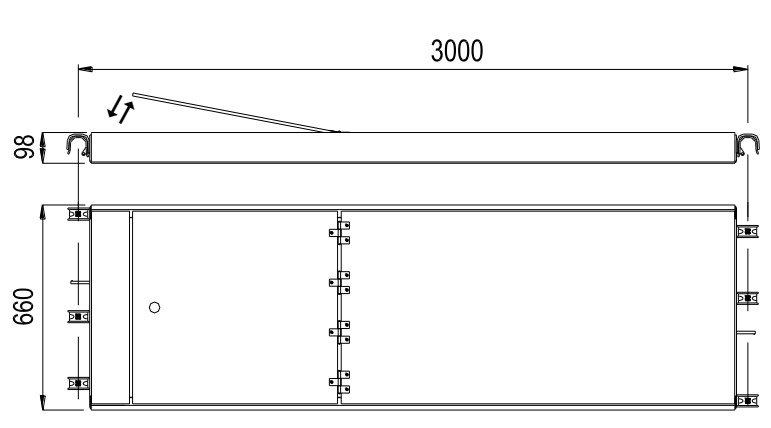
			NOTE	
CODE	ITALIAN DESCRIPTION	ENGLISH DESCRIPTION	WEIGHT T KG	NOTE
3070100011	TAVOLA BOTOLA 490X1800 MM P.Z.	490x1800 mm trapdoor,P.Z.	28,68	

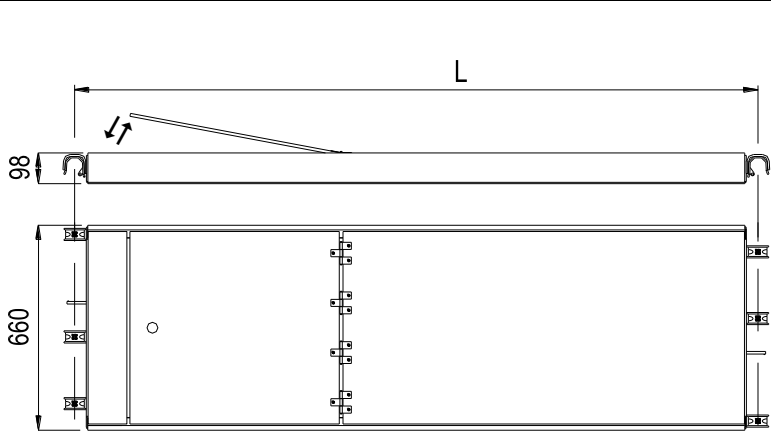
			NOTE	
CODE	ITALIAN DESCRIPTION	ENGLISH DESCRIPTION	WEIGHT T KG	NOTE
3070100021	TAVOLA 200X1800X50 Z.S.	200x1800 mm steel plank, Z.S.	7,67	

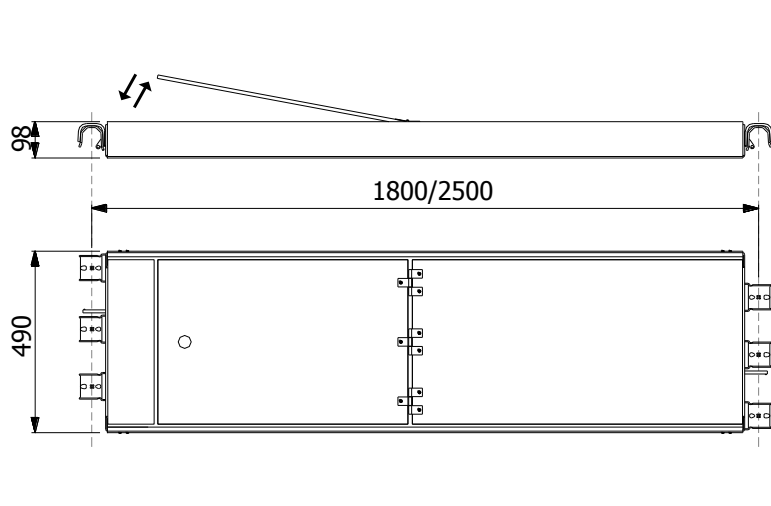
			NOTE	
CODE	ITALIAN DESCRIPTION	ENGLISH DESCRIPTION	WEIGHT T KG	NOTE
3070100031	TAVOLA BOTOLA 500X1800 MM Z.C.	TAVOLA CON BOTOLA DA 490X1800X50 MM IN ACCIAIO - ZINCATURA A CALDO	29,21	

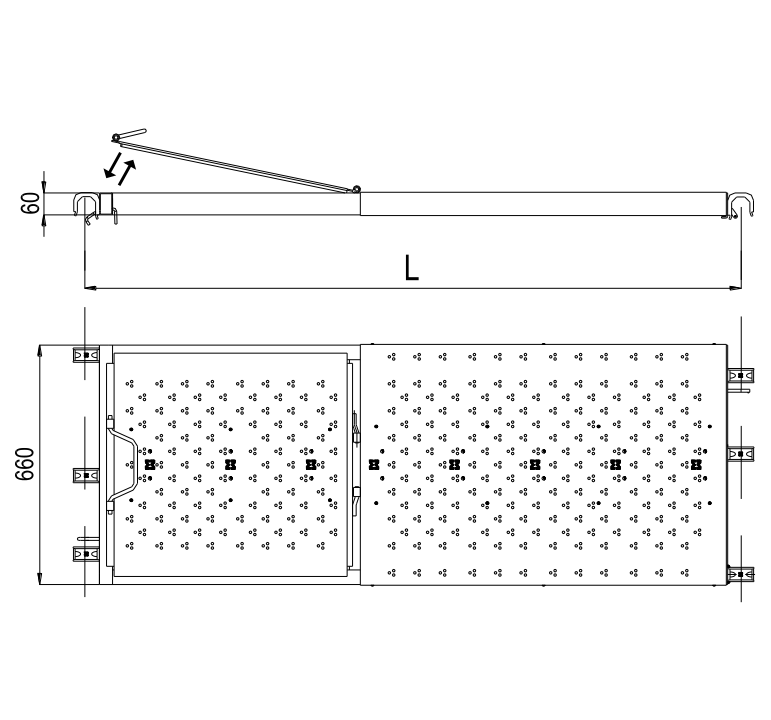
			NOTE	
CODE	ITALIAN DESCRIPTION	ENGLISH DESCRIPTION	WEIGHT T KG	NOTE
3070100071	TAVOLA 500X2500 Z.S.	490x1800 mm trapdoor, Z.C.	25,09	

		NOTE		
CODE	ITALIAN DESCRIPTION	ENGLISH DESCRIPTION	WEIGHT T KG	NOTE
3070100081	TAVOLA 200X2500X50 Z.S.	200x2500 mm steel plank,Z.S.	9,07	

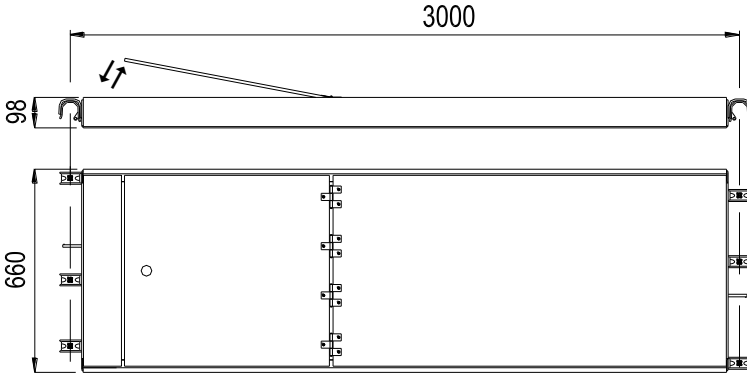
		NOTE		
CODE	ITALIAN DESCRIPTION	ENGLISH DESCRIPTION	WEIGHT T KG	NOTE
3070101079	TAVOLA BOTOLA A.F. 660X3000 MM AL/MS	660x3000x3 mm trapdoor in Al & ply., front opening	32,03	

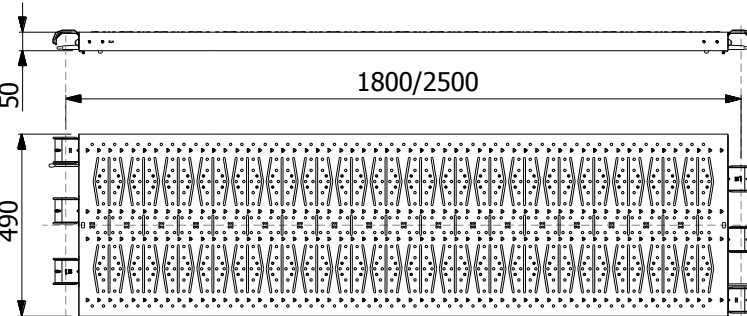
		NOTE		
CODE	ITALIAN DESCRIPTION	ENGLISH DESCRIPTION	WEIGHT T KG	NOTE
3070101139	TAVOLA BOTOLA A.F. 660X2500 MM AL/MS	660x2500 mm trapdoor in Al & ply., front opening	26,35	
3070101149	TAVOLA BOTOLA A.F. 660X1800 MM AL/MS	660x1800 mm trapdoor in Al & ply., front opening	20,63	

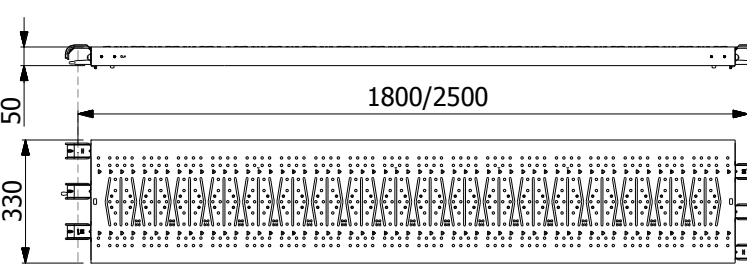
			NOTE	
CODE	ITALIAN DESCRIPTION	ENGLISH DESCRIPTION	WEIGHT T KG	NOTE
3070101209	TAV. BOT ALL-LEG 490X1800 APERT. FRONT.	490x1800 mm trapdoor in Al & ply., front opening	18,92	
3070101229	TAV. BOT ALL-LEG 490X2500 APERT. FRONT.	490x2500 mm trapdoor in Al & ply., front opening	20,35	

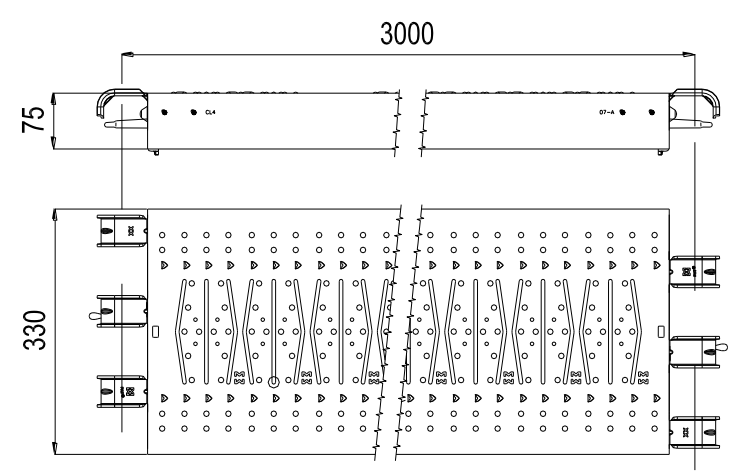
			NOTE	
CODE	ITALIAN DESCRIPTION	ENGLISH DESCRIPTION	WEIGHT T KG	NOTE
3070101491	TAVOLA BOTOLA RP 660X1800X60 MM EN P.Z.	Plank-trapdoor EN 1800x660 mm H.60 P.Z.	35,04	
3070101511	TAVOLA BOTOLA RP 660X2500X60 MM EN P.Z.	Plank-trapdoor EN 2500x660 mm H.60 P.Z.	45,38	

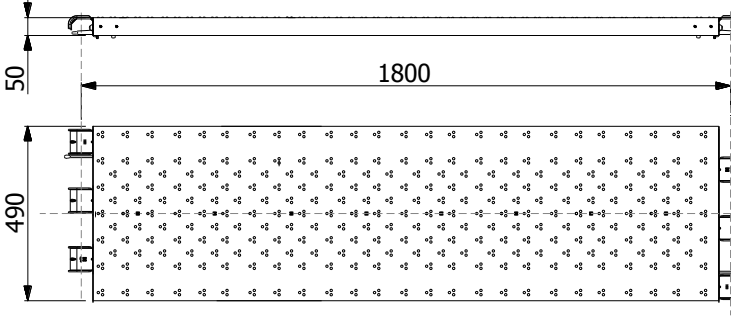


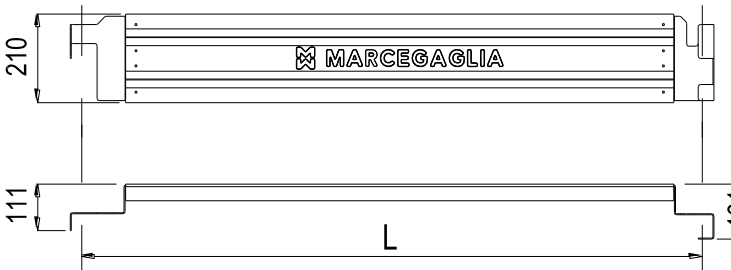
			NOTE	
CODE	ITALIAN DESCRIPTION	ENGLISH DESCRIPTION	WEIGHT T KG	NOTE
3070101521	TAVOLA BOTOLA RP A.F.660X3000MM EN AL/MS	660x3000 mm EN trapdoor in Al & ply., front opening	31,53	

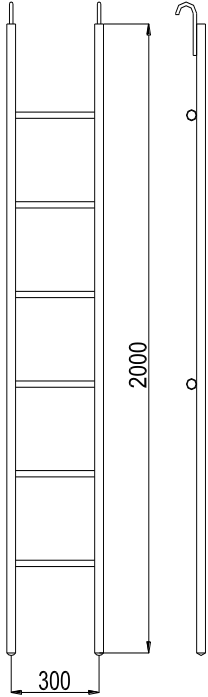
			NOTE	
CODE	ITALIAN DESCRIPTION	ENGLISH DESCRIPTION	WEIGHT T KG	NOTE
3070102011	TAVOLA SECURDECK 490X1800X50 MM Z.S.	490x1800x50 mm SECURDECK steel plank, Z.S.	15,16	
3070102021	TAVOLA SECURDECK 490X2500X50 MM Z.S.	490x2500x50 mm SECURDECK steel plank, Z.S.	21,35	

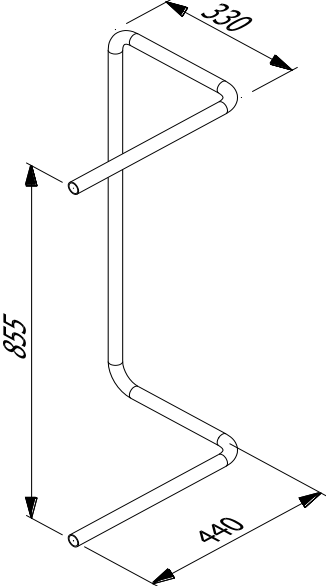
			NOTE	
CODE	ITALIAN DESCRIPTION	ENGLISH DESCRIPTION	WEIGHT T KG	NOTE
3070102041	TAVOLA SECURDECK 330X1800X50 MM Z.S.	330x1800x50 mm SECURDECK steel plank, Z.S.	10,80	
3070102051	TAVOLA SECURDECK 330X2500X50 MM Z.S.	330x2500x50 mm SECURDECK steel plank, Z.S.	14,38	

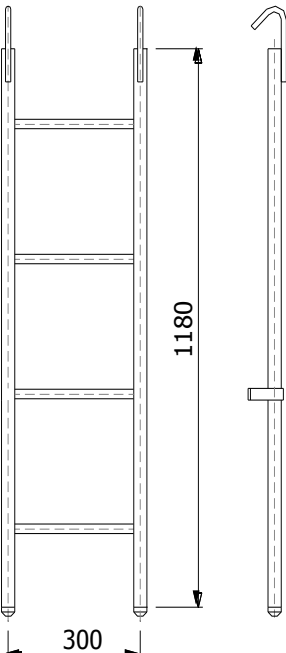
			NOTE	
CODE	ITALIAN DESCRIPTION	ENGLISH DESCRIPTION	WEIGHT T KG	NOTE
3070102071	TAVOLA SECURDECK 330X3000X75 MM Z.S.	330x3000x75 mm SECURDECK steel plank, Z.S.	19,90	

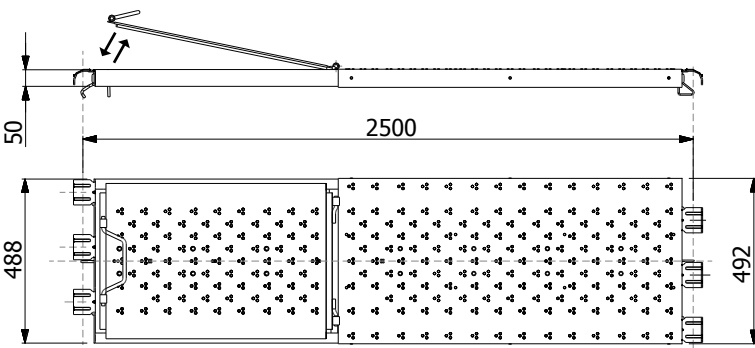
			NOTE	
CODE	ITALIAN DESCRIPTION	ENGLISH DESCRIPTION	WEIGHT T KG	NOTE
3070103011	TAVOLA NEW STANDARD 490X1800X50 MM Z.S.	490x1800x50 mm NEW STANDARD steel plank, Z.S.	15,27	

			NOTE	
CODE	ITALIAN DESCRIPTION	ENGLISH DESCRIPTION	WEIGHT T KG	NOTE
3070200221	FERMAPIEDE UNIFICATO 750 MM EN Z.S.	750 mm toeboard UNIFICATO, EN Z.S.	3,13	
3070200301	FERMAPIEDE UNIFICATO 1800 MM Z.S.	1800 mm toeboard UNIFICATO, Z.S.	5,68	
3070200311	FERMAPIEDE UNIFICATO 2500 MM Z.S.	2500 mm toeboard UNIFICATO, Z.S.	7,39	
3070200321	FERMAPIEDE UNIFICATO 3000 MM Z.S.	3000 mm toeboard UNIFICATO, Z.S.	11,95	

			NOTE	
CODE	ITALIAN DESCRIPTION	ENGLISH DESCRIPTION	WEIGHT T KG	NOTE
3070300131	SCALA PER TAVOLA BOTOLA Z.C.	2000 mm ladder, Z.C.	7,35	

			NOTE	
CODE	ITALIAN DESCRIPTION	ENGLISH DESCRIPTION	WEIGHT T KG	NOTE
3070300141	CORRIMANO PER SCALA Z.C.	2000 mm ladder handrail, Z.C.	2,78	

			NOTE	
CODE	ITALIAN DESCRIPTION	ENGLISH DESCRIPTION	WEIGHT T KG	NOTE
3070300161	SCALA TELAIO COMPENSO TAVOLA BOTOLA Z.C.	1330 mm ladder, Z.C.	4,15	

			NOTE	
CODE	ITALIAN DESCRIPTION	ENGLISH DESCRIPTION	WEIGHT T KG	NOTE
3070800031	TAVOLA BOTOLA 490X2500 MM P.Z.	Plank-trapdoor 2500x490x50 mm P.Z.	38,41	

CODE		ITALIAN DESCRIPTION	ENGLISH DESCRIPTION	WEIGH T KG	NOTE
3150200191		SM8 TAVOLA BOTOLA 660X1800 MM Z.S.	SM8, trap door 660x1800 mm, Z.S.	35,04	
3150200201		SM8 TAVOLA BOTOLA 660X2500 MM Z.S.	SM8, trap door 660x2500 mm, Z.S.	45,38	

CODE		ITALIAN DESCRIPTION	ENGLISH DESCRIPTION	WEIGH T KG	NOTE
3150700171		SM8 STOCCO DI ANC. TIPO B 1190 MM Z.C.	SM8, anchoring B type, 1190 mm, Z.C.	4,89	
3150700841		STOCCO ANCOR.L=340 MM. ZC	SM8, anchoring 340 mm, Z.C.	1,78	
3150700851		SM8 STOCCO DI ANC. 600 MM Z.C.	SM8, anchoring 600 mm, Z.C.	2,71	