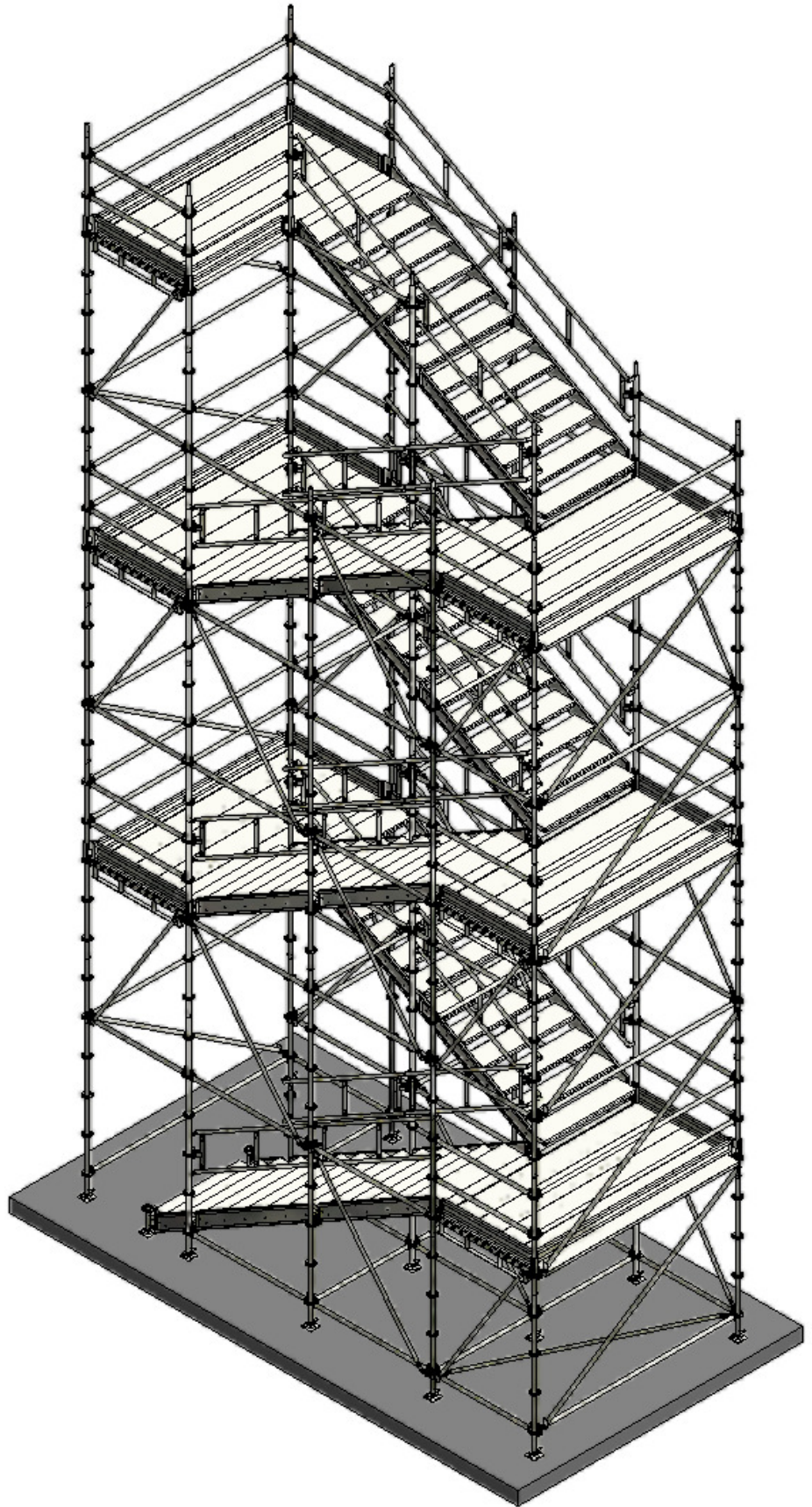


 **MARCEGAGLIA**



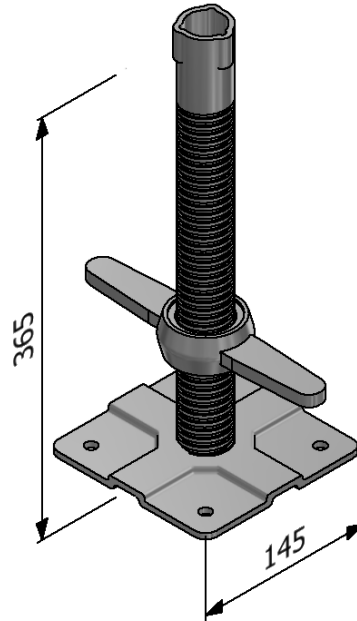
SM8 -STAIRCASE 1200

REV.4

SUMMARY

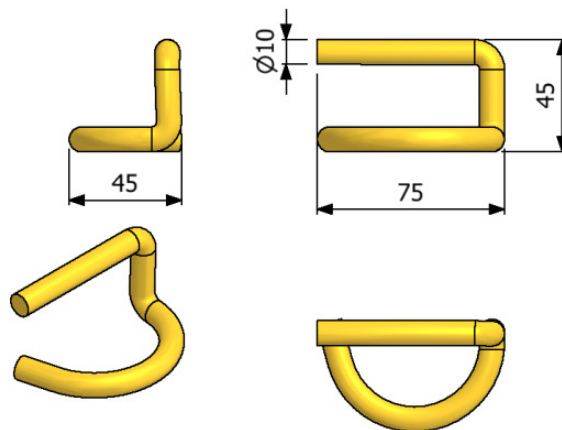
1. Elements	2
2. Staircase SM8/1200 from 3,0x6,6 meters. Starting with 2 steps - Ramps from 1,80 meters.	20
2.1 <i>Composition</i>	20
2.2 <i>Scheme</i>	21
2.3 <i>Installation procedures</i>	22
3. Staircase SM8/1200 from 3,0x6,6 meters. Starting with 1 step. Ramps from 1,80 meters.	23
3.1 <i>Composition</i>	23
3.2 <i>Scheme</i>	24
3.3 <i>Installation procedures</i>	25
4. Staircase SM8/1200 from 3,0x5,7 meters. Starting with 2 steps - Ramps from 1,80 + 0,9 meters	26
4.1 <i>Composition</i>	26
4.2 <i>Scheme</i>	27
4.3 <i>Installation procedures</i>	28
5. Staircase SM8/1200 from 3,0x5,7 meters. Starting with 1 step. Ramps from 1,80 + 0,9 meters	29
5.1 <i>Composition</i>	29
5.2 <i>Scheme</i>	30
5.3 <i>Installation procedures</i>	32

1. Elements



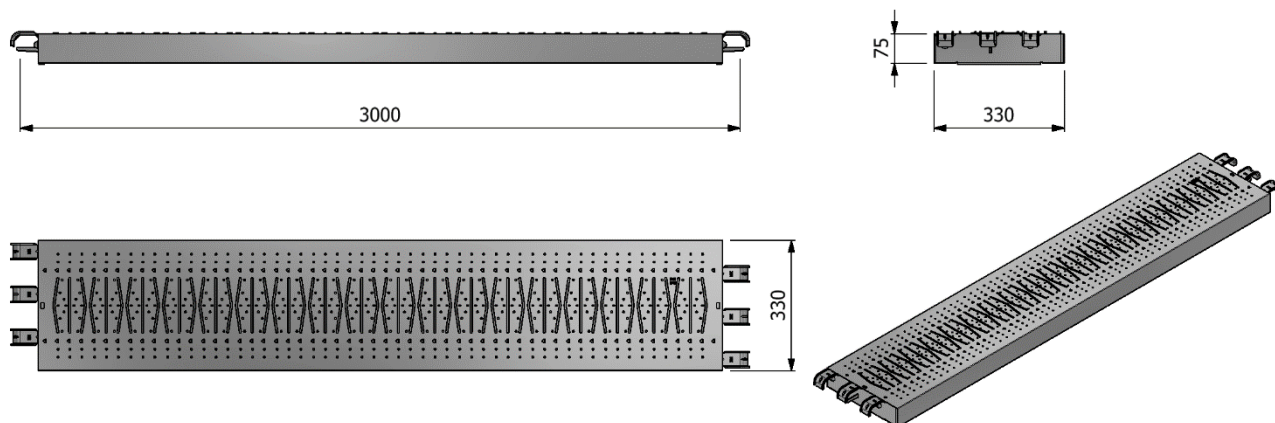
NOTE

CODE	ITALIAN DESCRIPTION	ENGLISH DESCRIPTION	WEIGHT T KG	NOTE
3040501062	BASSETTA REGOLABILE 330 MM Z.EL.	330 mm adjustable base jack, Z.EL.	2,420	

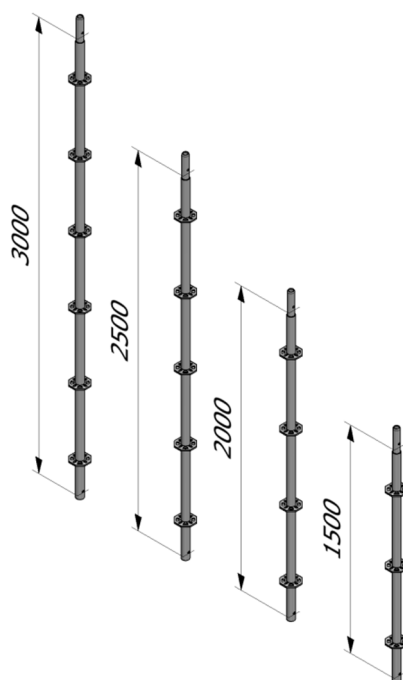


NOTE

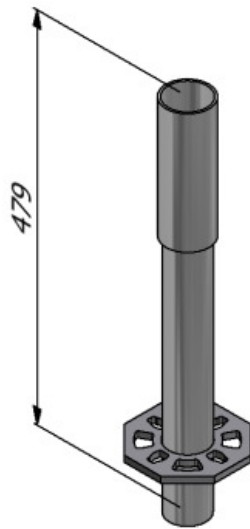
CODE	ITALIAN DESCRIPTION	ENGLISH DESCRIPTION	WEIGHT KG	NOTE
3040701006	SPINA D. 10 MM Z.TR.	10 mm diameter spigot pin, Z.TR.	0,120	


NOTE

CODE	ITALIAN DESCRIPTION	ENGLISH DESCRIPTION	WEIGHT T KG	NOTE
3070102071	TAVOLA SECURDECK 330X3000X75 MM Z.S.	330x3000x75 mm SECURDECK steel plank, Z.S.	19,90	

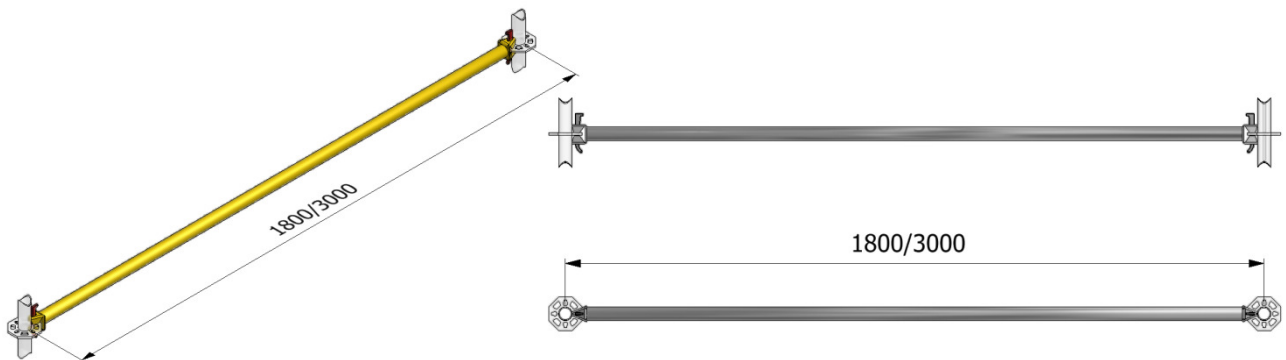

NOTE

CODE	ITALIAN DESCRIPTION	ENGLISH DESCRIPTION	WEIGHT KG	NOTE
3150100111	SM8 MONTANTE 3000 MM - SPIN. 38X2 Z.C.	SM8, upright with pin 3000 mm, Z.C.	14,54	
3150100121	SM8 MONTANTE 2500 MM - SPIN. 38X2 Z.C.	SM8, upright with pin 2500 mm, Z.C.	12,2	
3150100131	SM8 MONTANTE 2000 MM - SPIN. 38X2 Z.C.	SM8, upright with pin 2000 mm, Z.C.	9,86	
3150100141	SM8 MONTANTE 1500 MM - SPIN. 38X2 Z.C.	SM8, upright with pin 1500 mm, Z.C.	7,52	



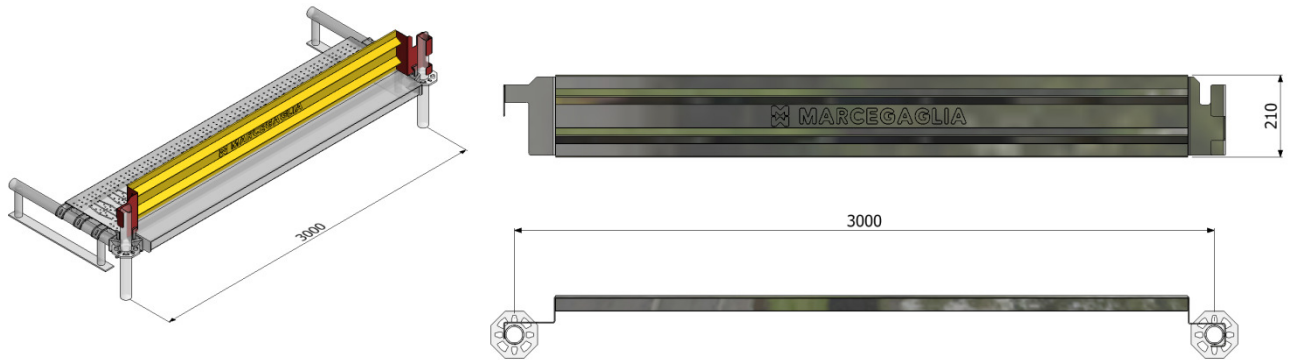
NOTE

CODE	ITALIAN DESCRIPTION	ENGLISH DESCRIPTION	WEIGHT T KG	NOTE
3150100171	SM8 ELEMENTO DI PARTENZA Z.C.	SM8, initial component	2,38	



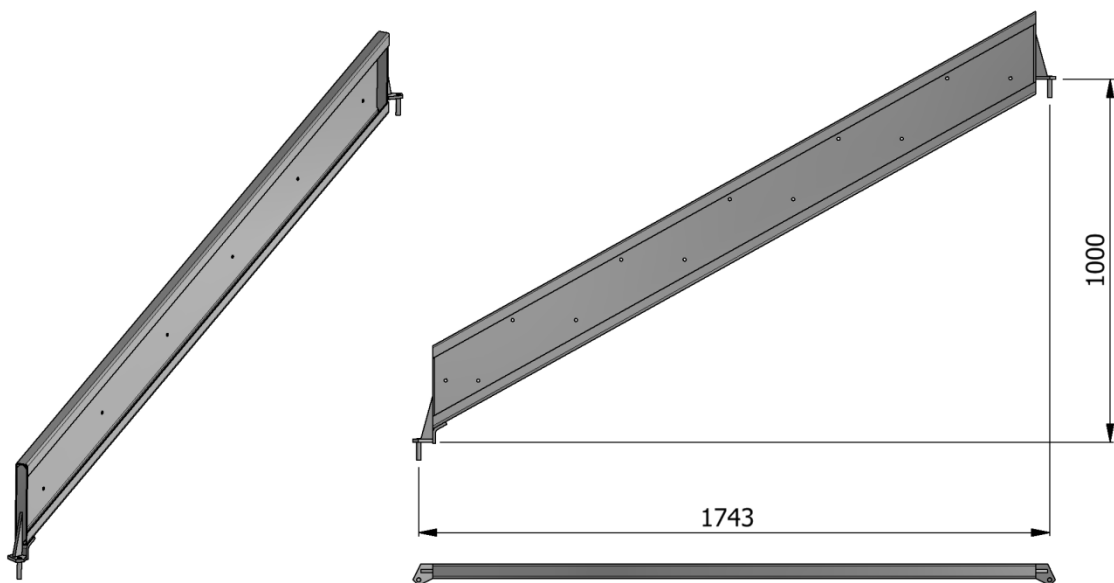
NOTE

CODE	ITALIAN DESCRIPTION	ENGLISH DESCRIPTION	WEIGHT KG	NOTE
3150200251	SM8 CORRENTE DA 1800 MM Z.C	SM8, ledger 1800 mm, Z.C.	7,35	
3150200541	SM8 CORRENTE DA 3000 MM Z.C.	SM8, ledger 3000 mm, Z.C.	11,88	



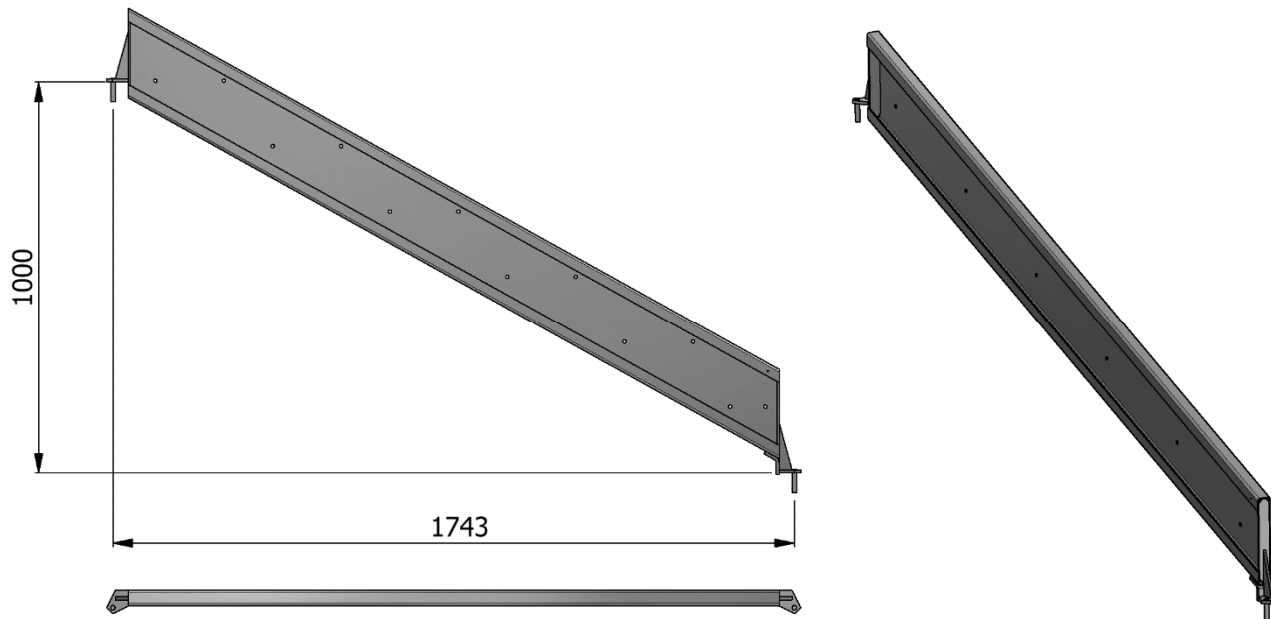
NOTE

CODE	ITALIAN DESCRIPTION	ENGLISH DESCRIPTION	WEIGHT T KG	NOTE
3150200681	SM8 FERMAPIEDE 3000 MM Z.S.	SM8, toeboard 3000 mm, Z.S.	9,48	



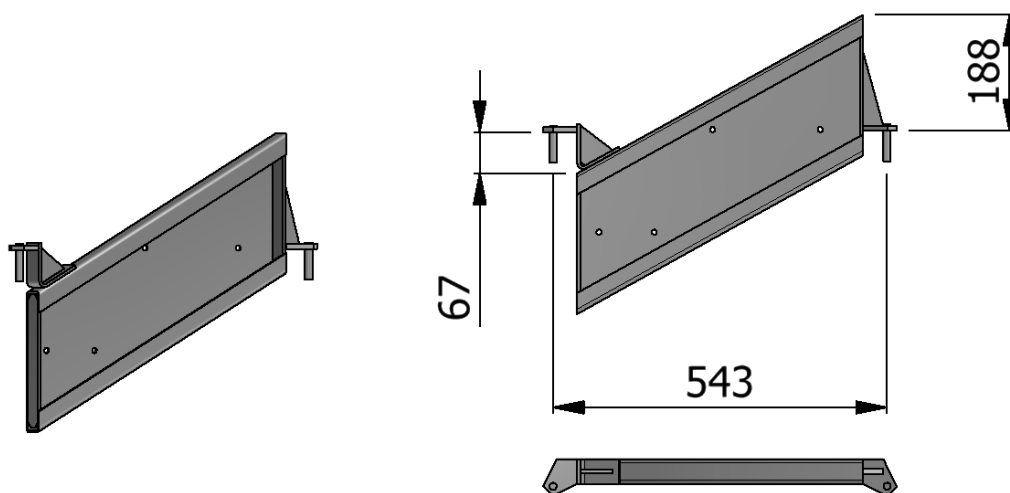
NOTE

CODE	ITALIAN DESCRIPTION	ENGLISH DESCRIPTION	WEIGHT KG	NOTE
3150201511	SM8 SCALA 1200 COSCIALE DX 1800 6 GRAD.	SM8, 1200 staircase tower right stringer; 1800 x 6 steps, Z.C.	15,72	



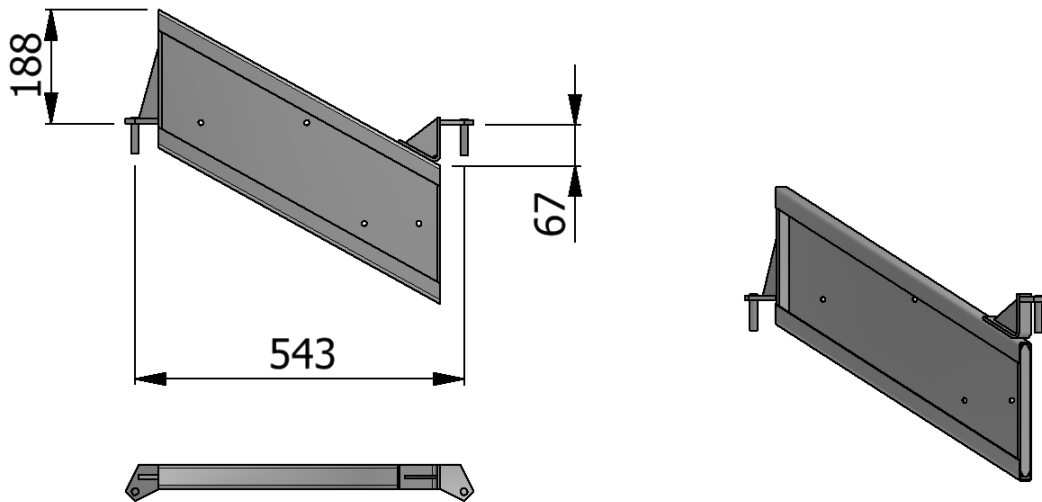
NOTE

CODE	ITALIAN DESCRIPTION	ENGLISH DESCRIPTION	WEIGHT T KG	NOTE
3150201521	SM8 SCALA 1200 COSCIALE SX 1800 6 GRAD.	SM8, 1200 staircase tower left stringer; 1800 x 6 steps, Z.C.	15,72	



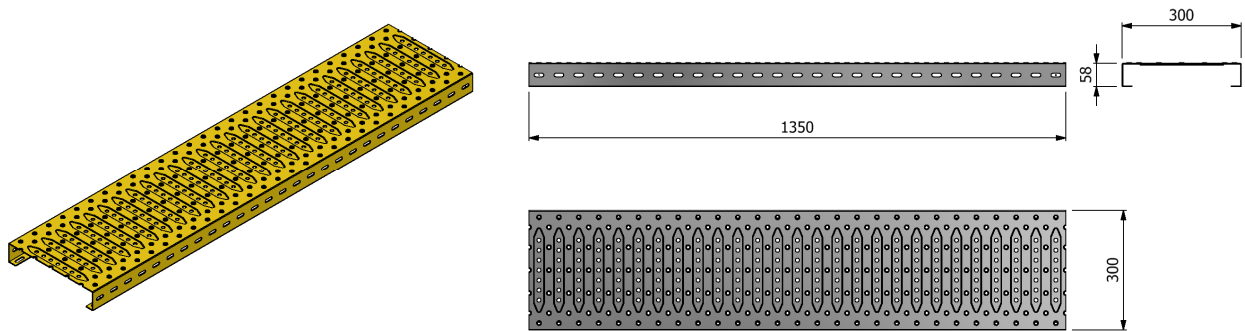
NOTE

CODE	ITALIAN DESCRIPTION	ENGLISH DESCRIPTION	WEIGHT KG	NOTE
3150201551	SM8 SCALA 1200 COSCIALE DX 600 2 GRAD.	SM8, 1200 staircase tower right stringer; 600 x 2 steps, Z.C.	5,52	



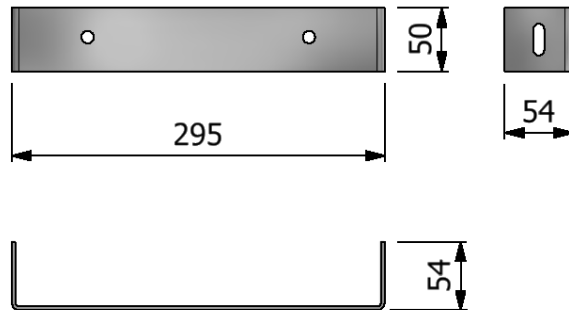
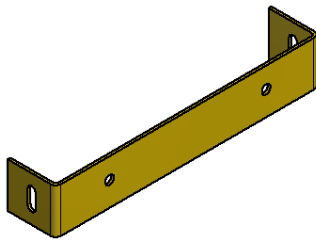
NOTE

CODE	ITALIAN DESCRIPTION	ENGLISH DESCRIPTION	WEIGHT T KG	NOTE
3150201561	SM8 SCALA 1200 COSCIALE SX 600 2 GRAD.	SM8, 1200 staircase tower left stringer; 600 x 2 steps, Z.C.	5,52	



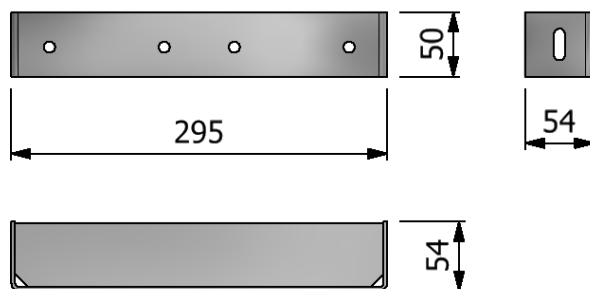
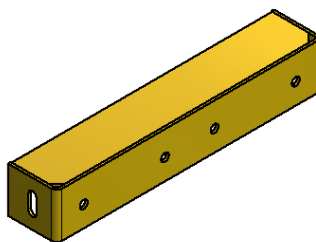
NOTE

CODE	ITALIAN DESCRIPTION	ENGLISH DESCRIPTION	WEIGHT KG	NOTE
3150201591	SM8 SCALA 1200 GRADINO ABA GF SP. 2 1350	SM8, 1200 staircase tower ABA GF step , 1350mm, Z.C.	9,2	



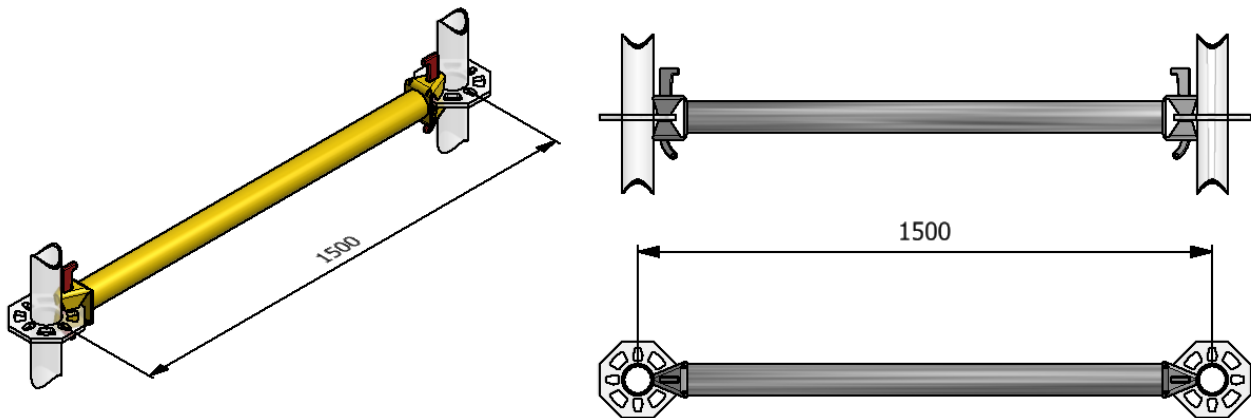
NOTE

CODE	ITALIAN DESCRIPTION	ENGLISH DESCRIPTION	WEIGHT T KG	NOTE
3150201601	SM8 SCALA 1200 SUPPORTO GRADINO H58	SM8, 1200 staircase tower typ.step support; h.58mm, Z.C.	0,449	



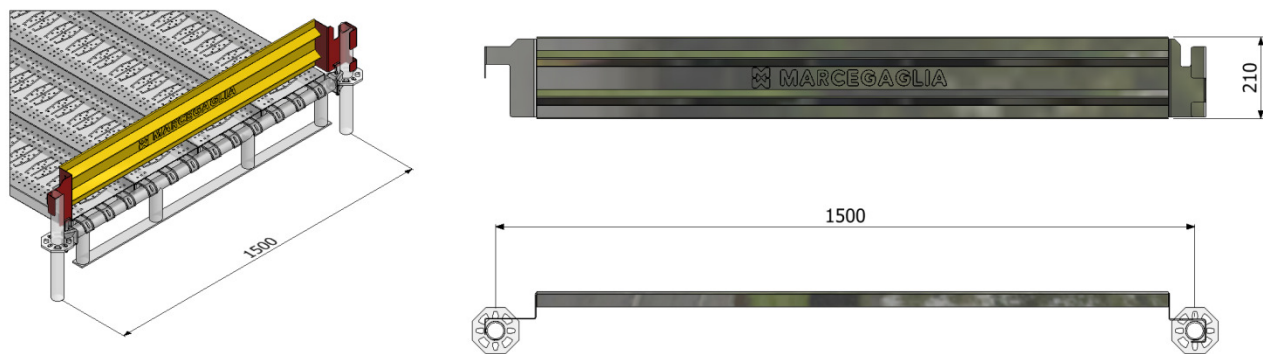
NOTE

CODE	ITALIAN DESCRIPTION	ENGLISH DESCRIPTION	WEIGHT KG	NOTE
3150201611	SM8 SCALA 1200 SUPPORTO PRIMO GRAD. H58	SM8, 1200 staircase tower first step support; h.58mm, Z.C.	0,785	



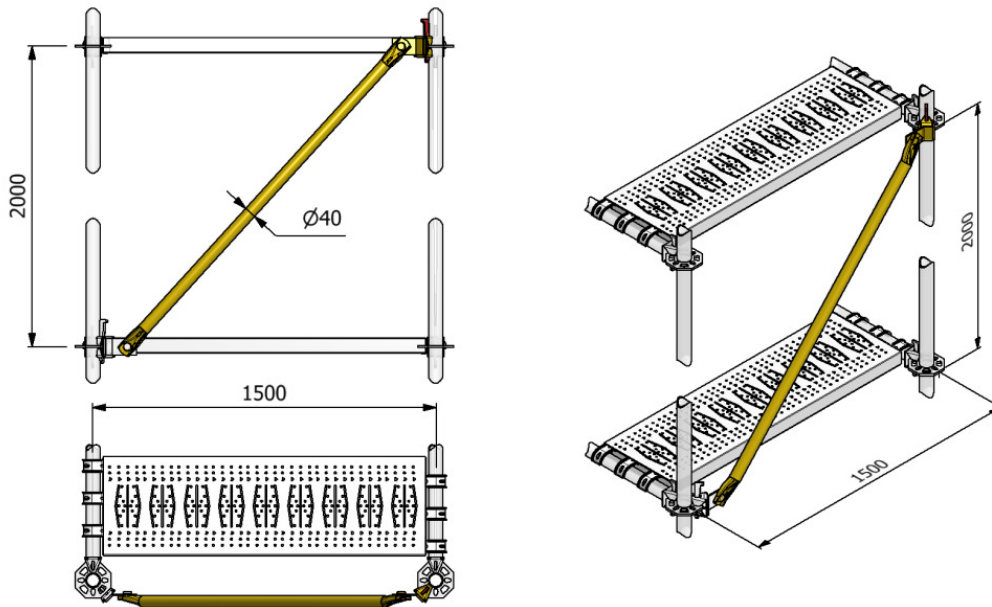
NOTE

CODE	ITALIAN DESCRIPTION	ENGLISH DESCRIPTION	WEIGHT T KG	NOTE
3150201621	SM8 CORRENTE DA 1500	SM8, ledger 1500 mm, Z.C.	6,16	



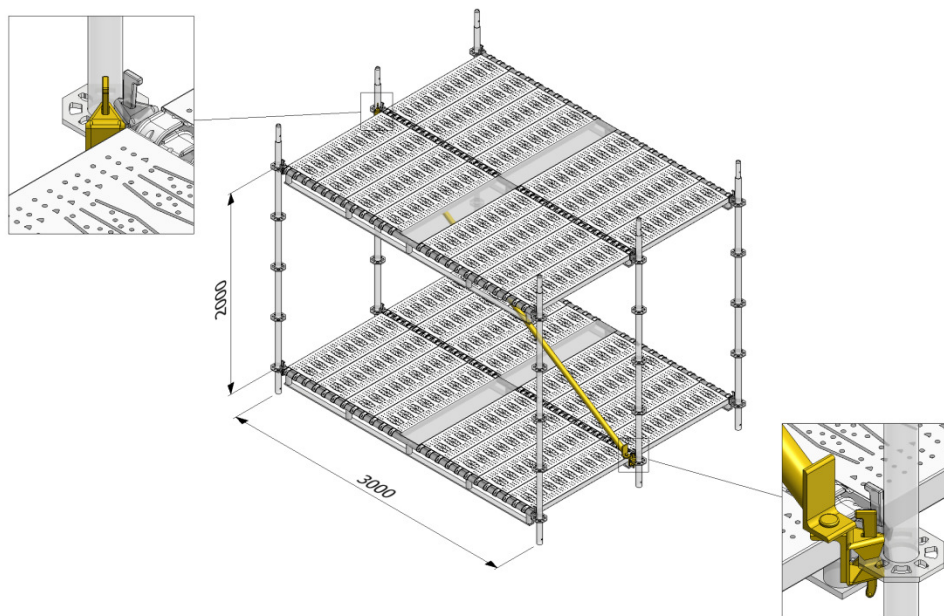
NOTE

CODE	ITALIAN DESCRIPTION	ENGLISH DESCRIPTION	WEIGHT KG	NOTE
3150201641	SM8 FERMAPIEDE DA 1500	SM8, toeboard, 1500 mm, Z.S.	4,97	



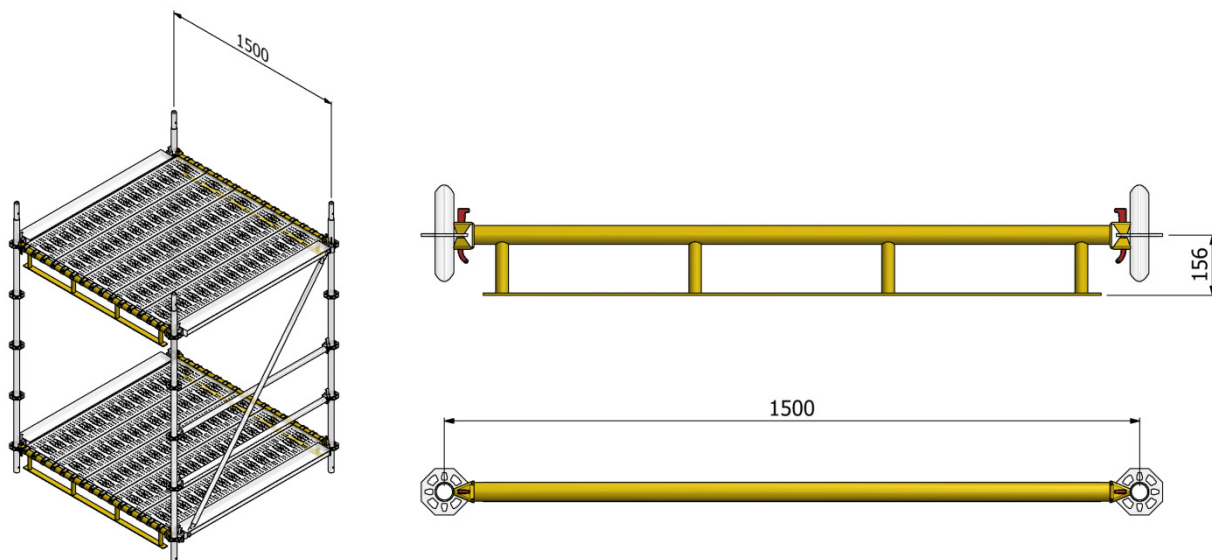
NOTE

CODE	ITALIAN DESCRIPTION	ENGLISH DESCRIPTION	WEIGHT T KG	NOTE
3150201651	SM8 DIAG. VISTA CAMPO 1500X2000	SM8, vertical diagonal brace 1500x2000 mm, Z.C.	6,64	



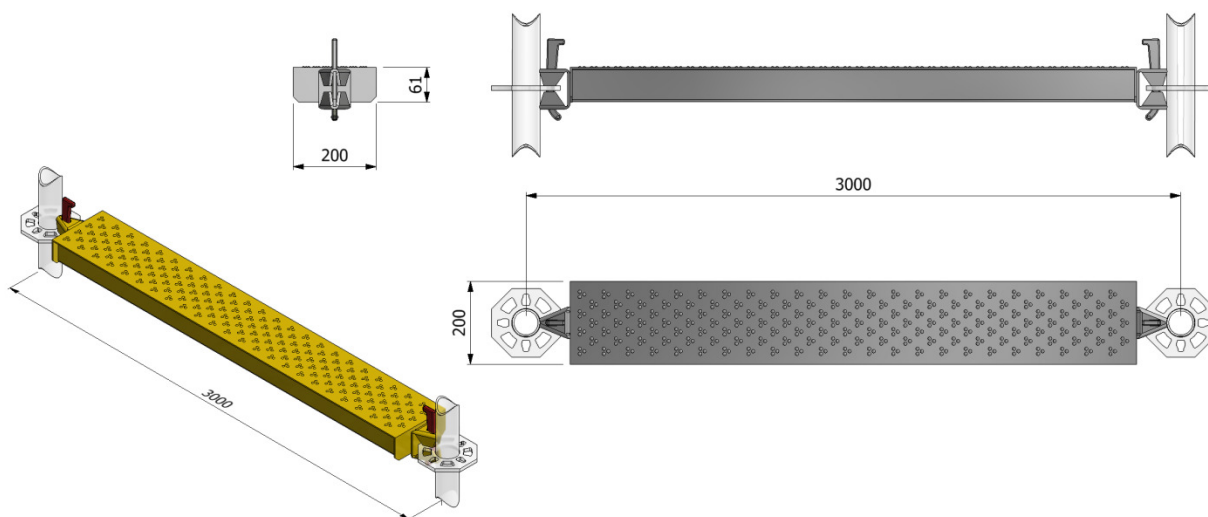
NOTE

CODE	ITALIAN DESCRIPTION	ENGLISH DESCRIPTION	WEIGHT KG	NOTE
3150201661	SM8 DIAG. SEZ. CAMPO 3000X2000	SM8, sectional vertical diagonal brace 3000x2000 mm, Z.C.	15,60	



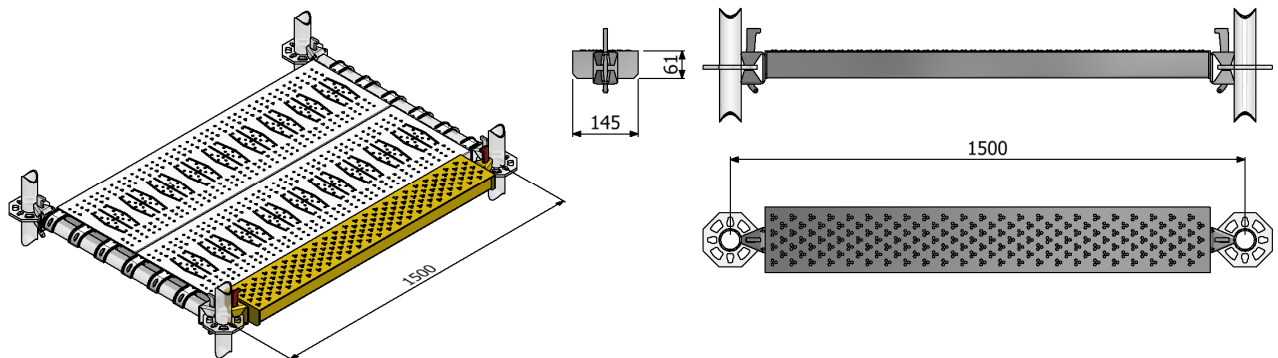
NOTE

CODE	ITALIAN DESCRIPTION	ENGLISH DESCRIPTION	WEIGHT T KG	NOTE
3150201671	SM8 TRAVETTA DA 1500 RIB.	SM8, lowered beam 1500 mm, Z.C.	11,53	



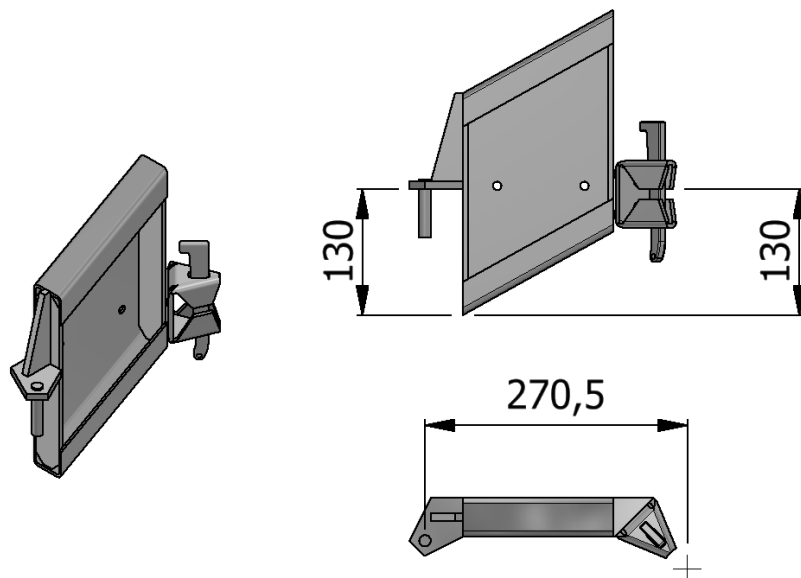
NOTE

CODE	ITALIAN DESCRIPTION	ENGLISH DESCRIPTION	WEIGHT KG	NOTE
3150201711	SM8 SCALA 1200 COMP. 200x3000 CON CLAMPA	SM8, 1200 staircase tower, deck filler 200x3000 mm with clamp, Z.C.	20,96	



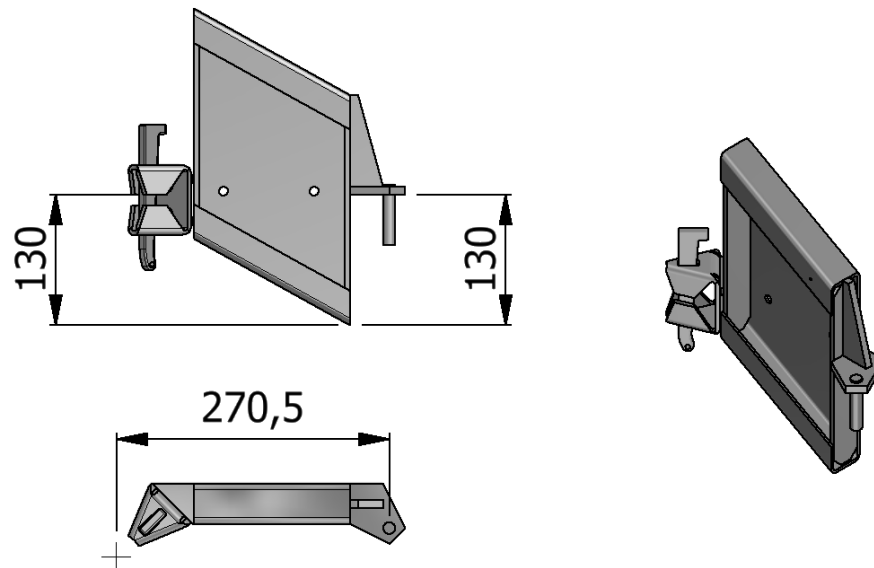
NOTE

CODE	ITALIAN DESCRIPTION	ENGLISH DESCRIPTION	WEIGHT T KG	NOTE
3150201721	SM8 COMP. 1500 CON CLAMPA	SM8, steel decking filler 1500 mm with clamp, Z.C.	8,77	



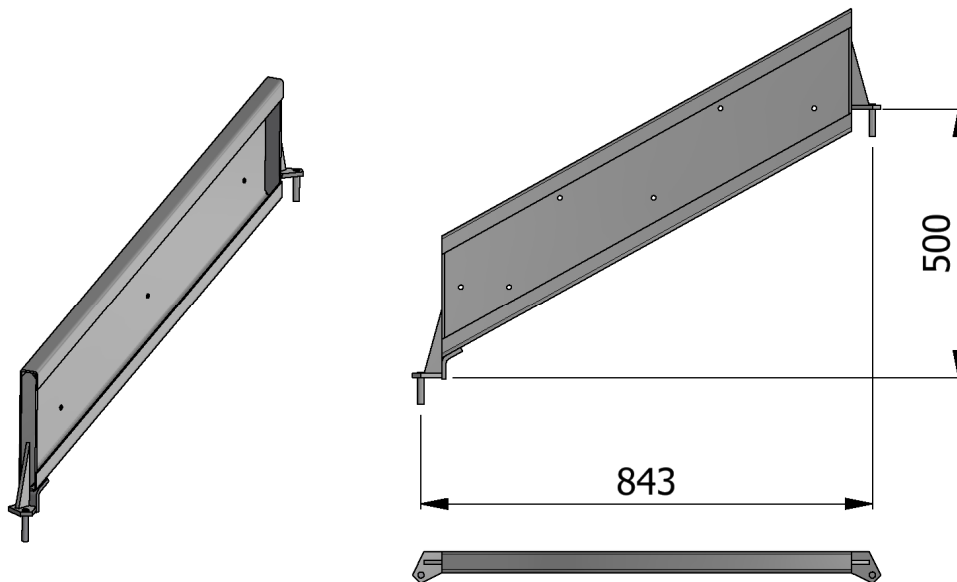
NOTE

CODE	ITALIAN DESCRIPTION	ENGLISH DESCRIPTION	WEIGHT KG	NOTE
3150201911	SM8 SCALA 1200 COSC. DX 300 1 GRAD. Z.C.	SM8, 1200 staircase tower right stringer; 300 x 1 step, Z.C.	2,98	



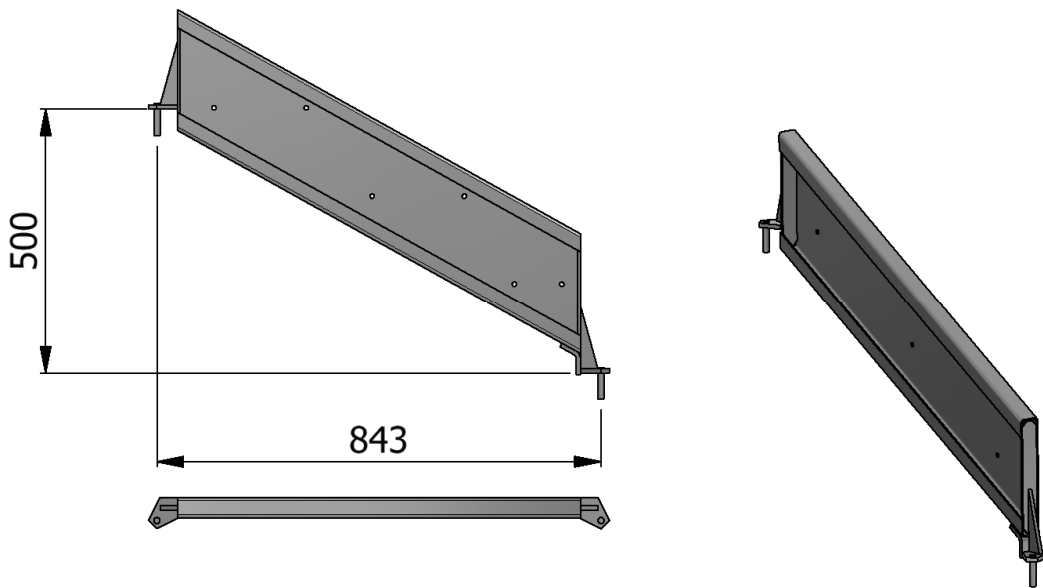
NOTE

CODE	ITALIAN DESCRIPTION	ENGLISH DESCRIPTION	WEIGHT T KG	NOTE
3150201921	SM8 SCALA 1200 COSC. SX 300 1 GRAD. Z.C.	SM8, 1200 staircase tower left stringer; 300 x 1 step, Z.C.	2,98	



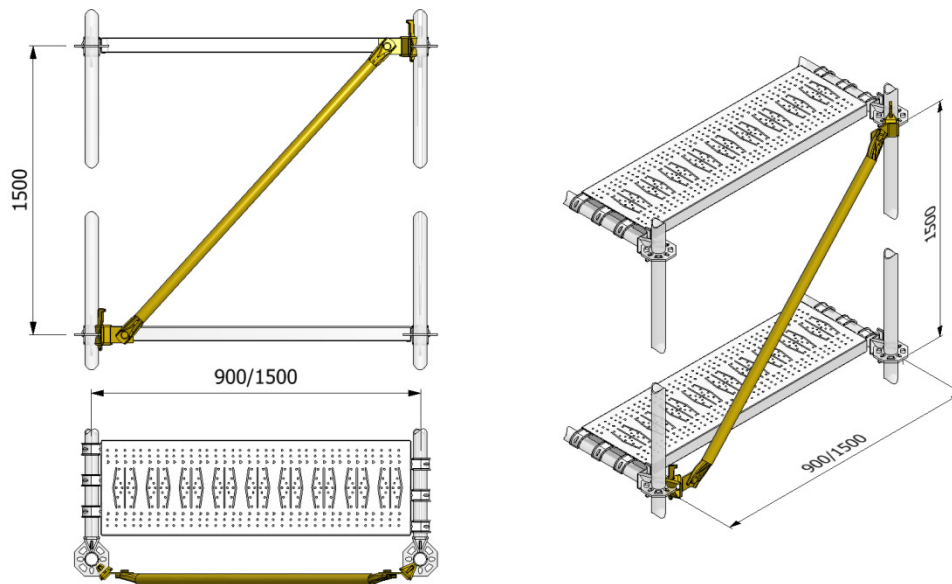
NOTE

CODE	ITALIAN DESCRIPTION	ENGLISH DESCRIPTION	WEIGHT KG	NOTE
3150201931	SM8 SCALA 1200 COSC. DX 900 3 GRAD. Z.C.	SM8, 1200 staircase tower right stringer; 900 x 3 steps, Z.C.	8,37	



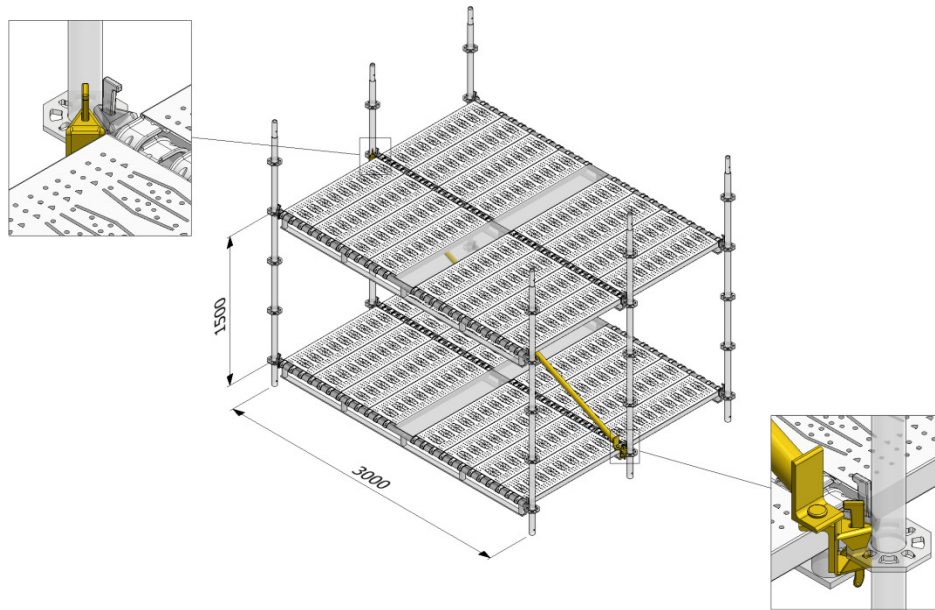
NOTE

CODE	ITALIAN DESCRIPTION	ENGLISH DESCRIPTION	WEIGHT KG	NOTE
3150201941	SM8 SCALA 1200 COSC. SX 900 3 GRAD. Z.C.	SM8, 1200 staircase tower left stringer; 900 x 3 steps, Z.C.	8,37	



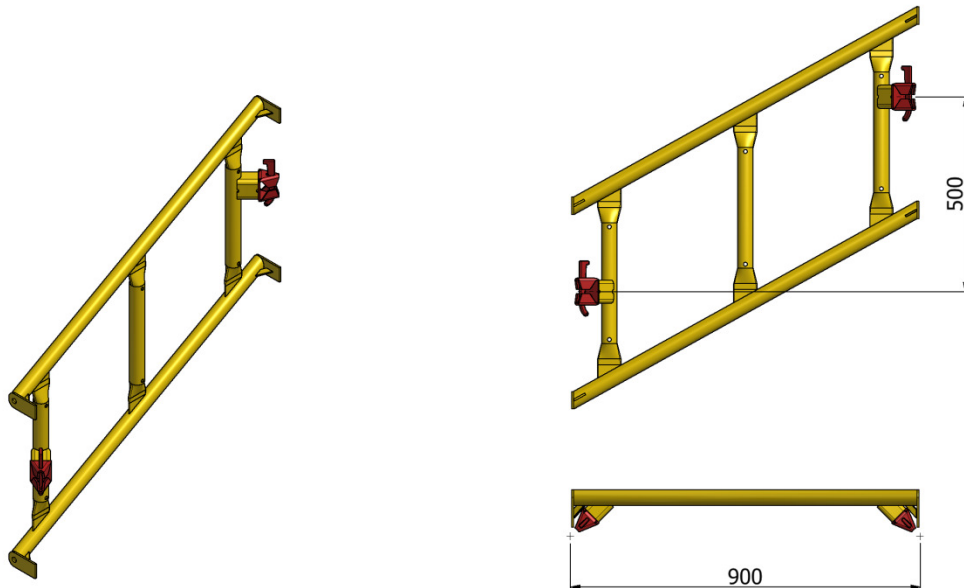
NOTE

CODE	ITALIAN DESCRIPTION	ENGLISH DESCRIPTION	WEIGHT KG	NOTE
3150201951	SM8 DIAGONALE VISTA 1500X1500 MM Z.C.	SM8, vertical brace 1500x1500 mm, Z.C.	9,40	
3150201961	SM8 DIAGONALE VISTA 900X1500 MM Z.C.	SM8, vertical brace 900x1500 mm, Z.C.	8,20	



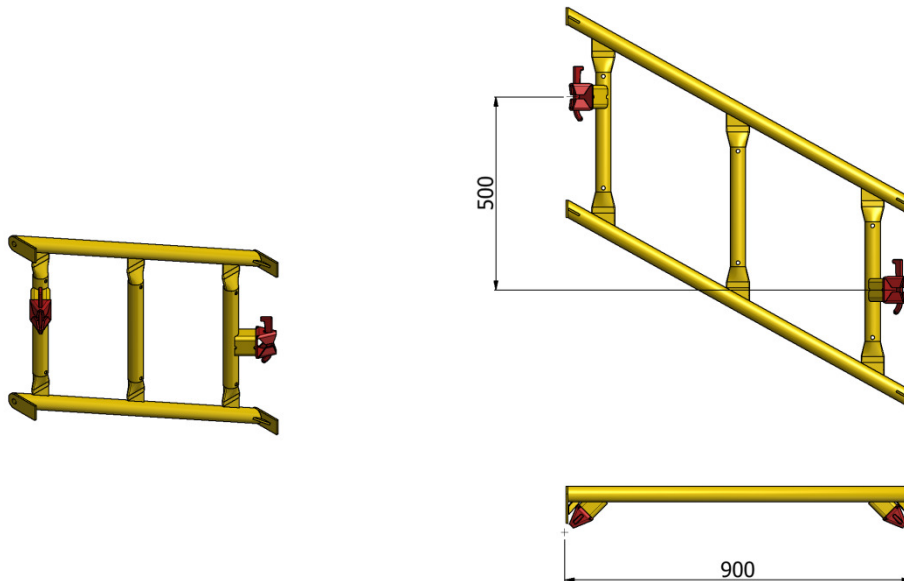
NOTE

CODE	ITALIAN DESCRIPTION	ENGLISH DESCRIPTION	WEIGHT T KG	NOTE
3150201971	SM8 DIAGONALE SEZ. 3000X1500 MM Z.C.	SM8, vertical brace 3000x1500 mm, Z.C.	14,60	



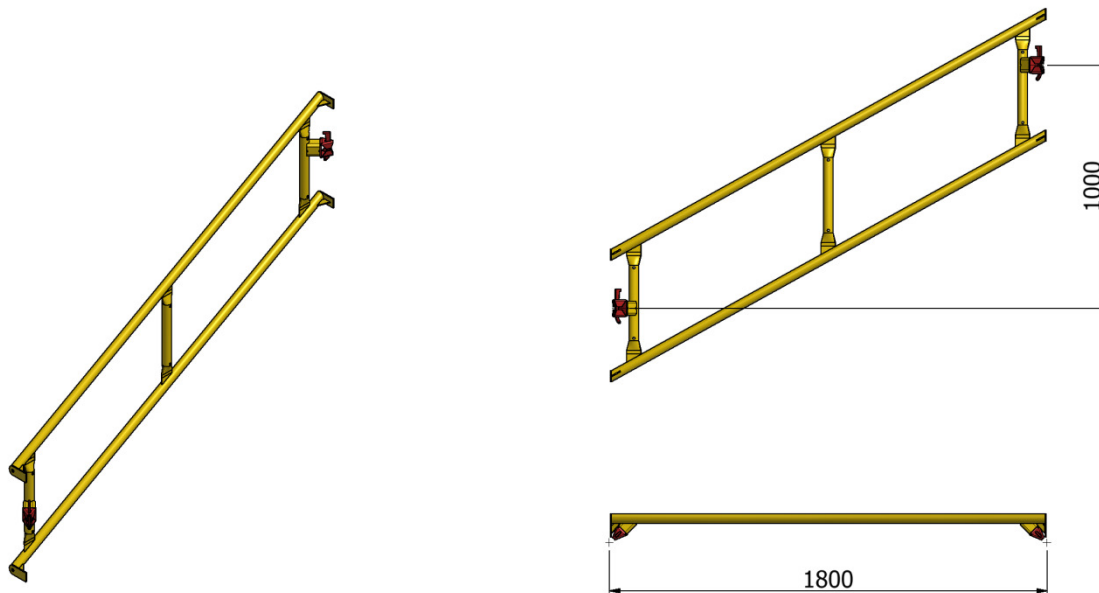
NOTE

CODE	ITALIAN DESCRIPTION	ENGLISH DESCRIPTION	WEIGHT KG	NOTE
3150201981	SM8 SCALA 1200 PARAP. DX DA 900 MM Z.C.	SM8, 1200 staircase tower right parapet 900 mm, Z.C.	9,55	



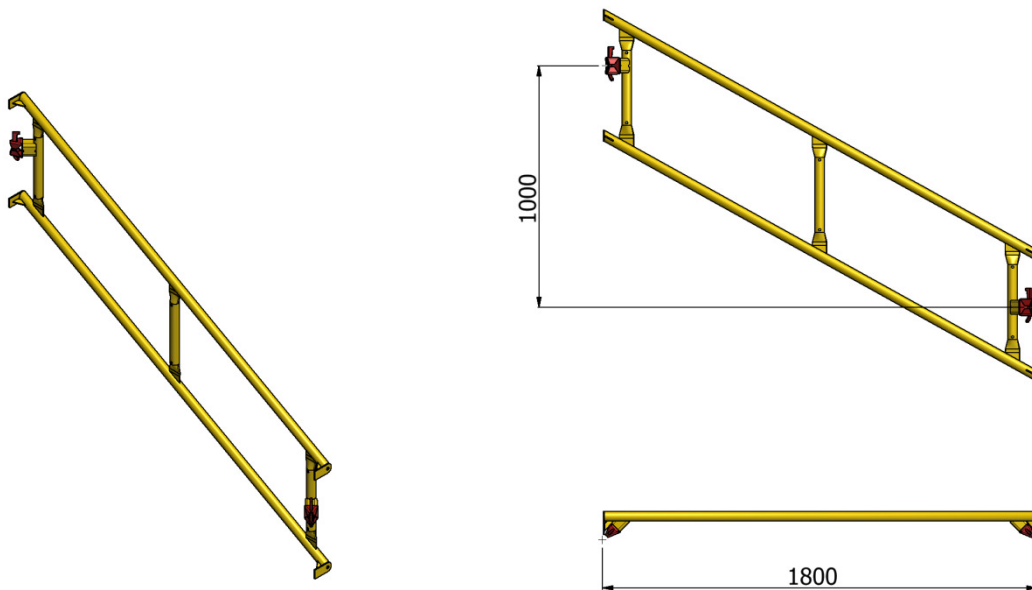
NOTE

CODE	ITALIAN DESCRIPTION	ENGLISH DESCRIPTION	WEIGHT T KG	NOTE
3150201991	SM8 SCALA 1200 PARAP. SX DA 900 MM Z.C.	SM8, 1200 staircase tower left parapet 900 mm, Z.C.	9,55	



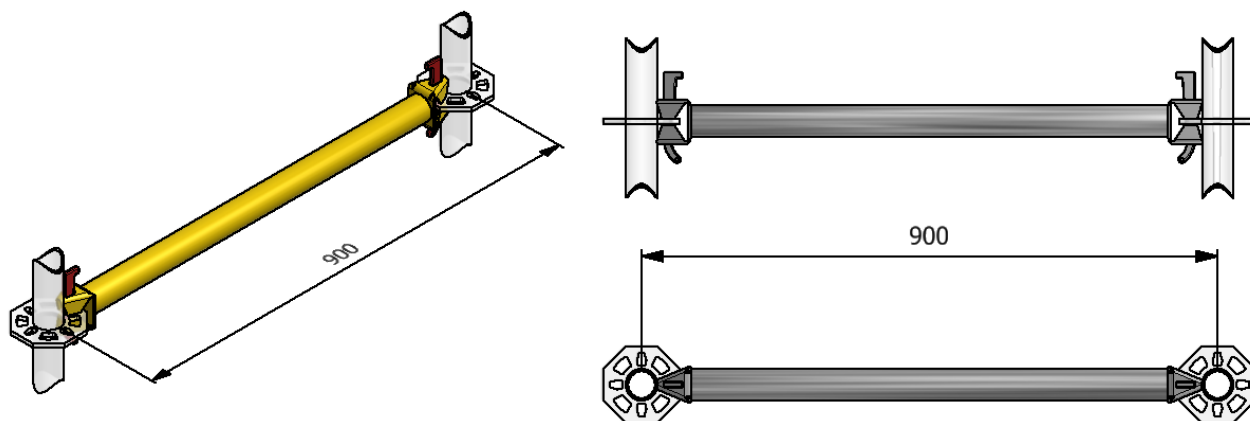
NOTE

CODE	ITALIAN DESCRIPTION	ENGLISH DESCRIPTION	WEIGHT KG	NOTE
3150202001	SM8 SCALA 1200 PARAP. DX DA 1800 MM Z.C.	SM8, 1200 staircase tower right parapet 1800 mm, Z.C.	13,65	



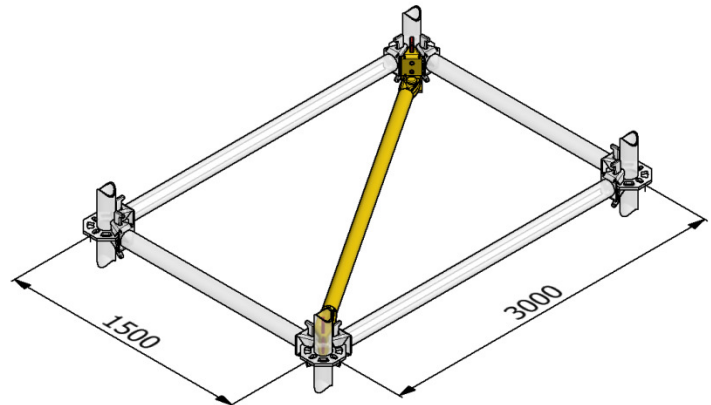
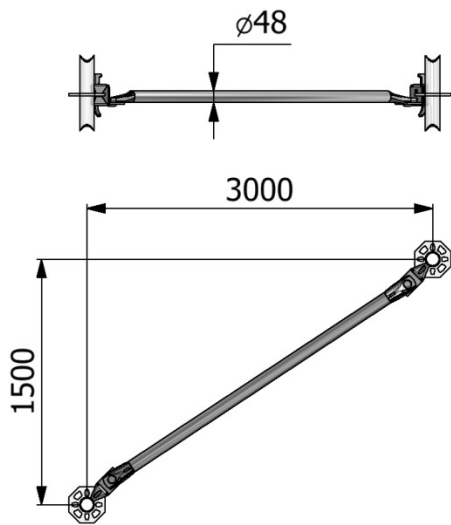
NOTE

CODE	ITALIAN DESCRIPTION	ENGLISH DESCRIPTION	WEIGHT T KG	NOTE
3150202011	SM8 SCALA 1200 PARAP. SX DA 1800 MM Z.C.	SM8, 1200 staircase tower left parapet 1800 mm, Z.C.	13,65	



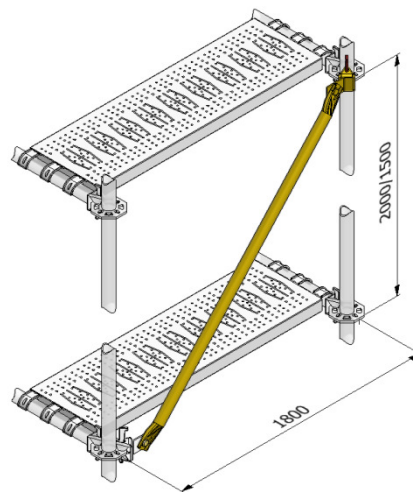
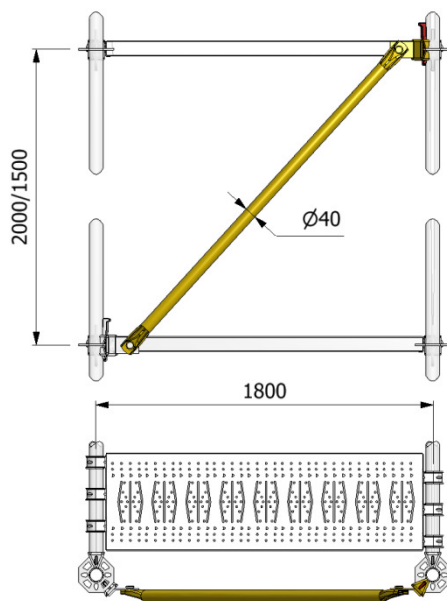
NOTE

CODE	ITALIAN DESCRIPTION	ENGLISH DESCRIPTION	WEIGHT KG	NOTE
3150300241	SM8 CORRENTE DA 900 MM Z.C.	SM8, ledger 900 mm, Z.C.	3,94	



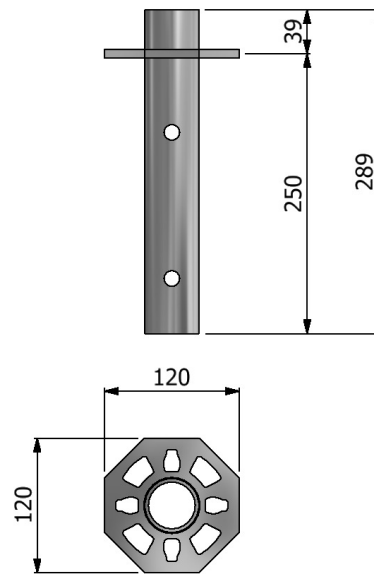
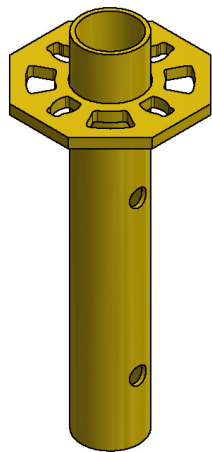
NOTE

CODE	ITALIAN DESCRIPTION	ENGLISH DESCRIPTION	WEIGHT T KG	NOTE
3150400361	SM8 DIAG.PIAN. 3000X1500	SM8, horizontal brace 3000x1500 mm, Z.C.	13,74	



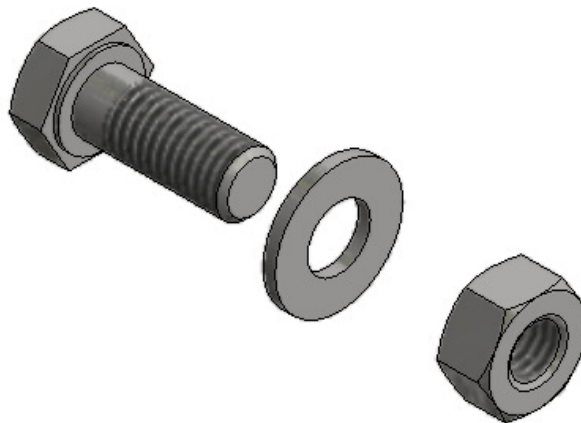
NOTE

CODE	ITALIAN DESCRIPTION	ENGLISH DESCRIPTION	WEIGHT KG	NOTE
3150500121	SM8 DIAGONALE VISTA 1800X2000 MM Z.C.	SM8, vertical brace 1800x2000 mm, Z.C.	6,96	
3150500231	SM8 DIAGONALE VISTA 1800X1500 MM Z.C.	SM8, vertical brace 1800x1500 mm, Z.C.	6,35	



NOTE

CODE	ITALIAN DESCRIPTION	ENGLISH DESCRIPTION	WEIGHT T KG	NOTE
3150700211	SM8 TERMINALE SUPERIORE Z.C.	SM8, top end Z.C.	1,49	



NOTE

CODE	ITALIAN DESCRIPTION	ENGLISH DESCRIPTION	WEIGHT KG	NOTE
6010203381	VITE M 8X20 5739 8.8 ZN	Screw M 8x20 5739 8.8 ZN	0,010	
6010400861	DADO ES.NORM 5588 M 8 6.S	Nut 5588 M 8 6.S	0,005	
6010520881	ROSETTA ELAST M08 UNI1751	Washer M08 UNI1751	0,001	

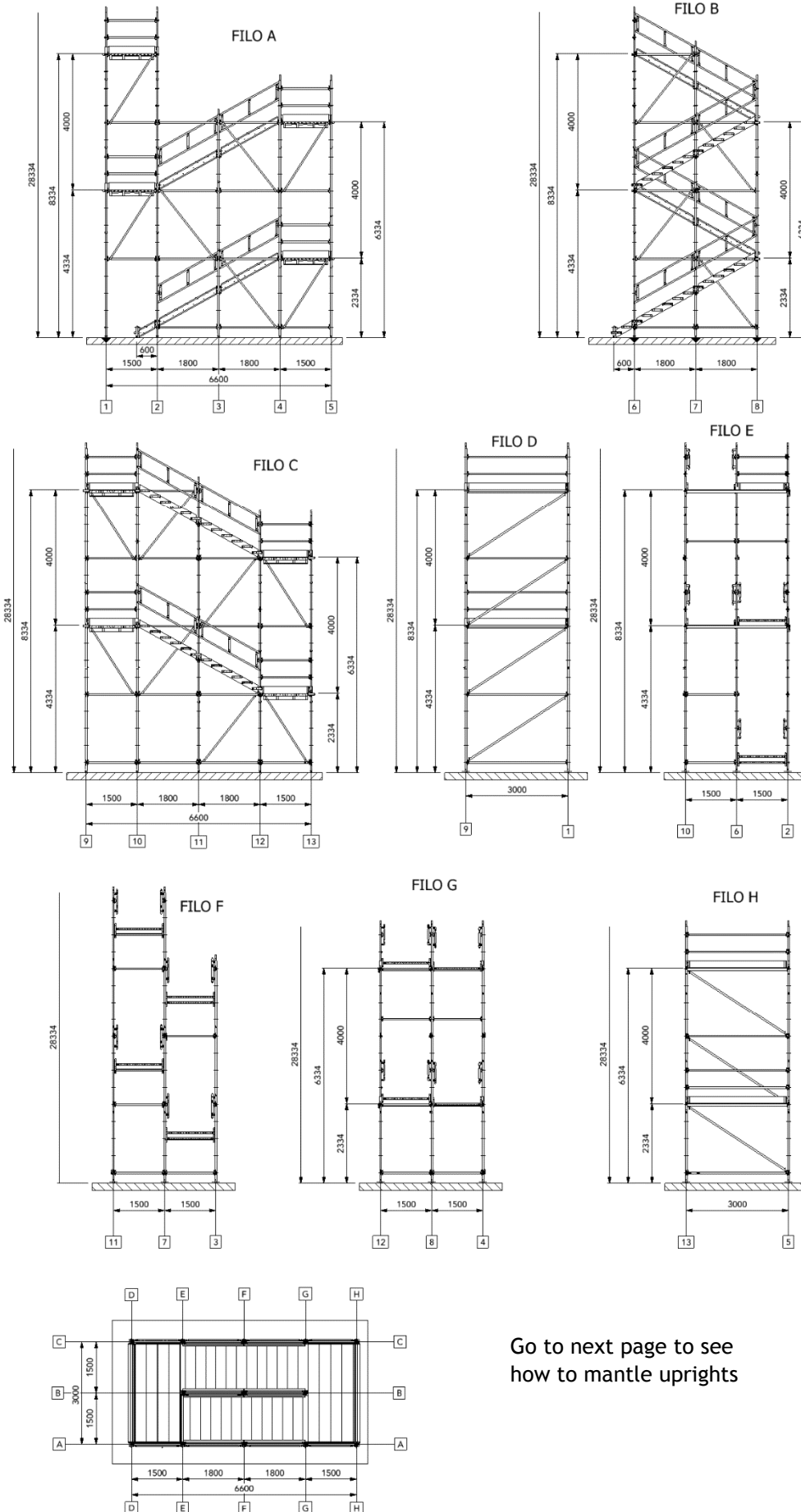
2. Staircase SM8/1200 from 3,0x6,6 meters. Starting with 2 steps - Ramps from 1,80 meters.

2.1 Composition

Code	Description	Last landing Height in meters															
		4,34	6,34	8,34	10,34	12,34	14,34	16,34	18,34	20,34	22,34	24,34	26,34	28,34			
3040501062	330 mm adjustable base jack, Z EL	15	15	15	15	15	15	15	15	15	15	15	15	15	15		
3040701006	10 mm diameter spigot pin, Z TR	12	25	38	51	64	77	90	103	116	129	142	155	168			
3070102071	330x300x75 mm SECURDECK steel plank, Z S	8	12	16	20	24	28	32	36	40	44	48	52	56			
3150100111	SM8, upright with pin 3000 mm, Z C	5	5	5	5	5	5	5	5	5	5	5	5	5	5		
3150100121	SM8, upright with pin 2500 mm, Z C	8	8	8	8	8	8	8	8	8	8	8	8	8	8		
3150100131	SM8, upright with pin 2000 mm, Z C	7	20	33	46	59	72	85	98	111	124	137	150	163			
3150100141	SM8, upright with pin 1500 mm, Z C	5	5	5	5	5	5	5	5	5	5	5	5	5	5		
3150200251	SM8, ledger 1800 mm, Z C	14	20	26	32	38	44	50	56	62	68	74	80	86			
3150200541	SM8, ledger 3000 mm, Z C	7	10	13	16	19	22	25	28	31	34	37	40	43			
3150200681	SM8, toeboard 3000 mm, Z S	2	3	4	5	6	7	8	9	10	11	12	13	14			
3150201511	SM8, 1200 staircase tower right stringer, 1800 x 6 steps, Z C	4	6	8	10	12	14	16	18	20	22	24	26	28			
3150201521	SM8, 1200 staircase tower left stringer, 1800 x 6 steps, Z C	4	6	8	10	12	14	16	18	20	22	24	26	28			
3150201551	SM8, 1200 staircase tower right stringer, 600 x 2 steps, Z C	1	1	1	1	1	1	1	1	1	1	1	1	1	1		
3150201561	SM8, 1200 staircase tower left stringer, 600 x 2 steps, Z C	1	1	1	1	1	1	1	1	1	1	1	1	1	1		
3150201591	SM8, 1200 staircase tower ABA CF step, 1350mm, Z C	26	36	50	62	74	86	98	110	122	134	146	158	170			
3150201601	SM8, 1200 staircase tower typ. step support, h. 58mm, Z C	42	62	82	102	122	142	162	182	202	222	242	262	282			
3150201611	SM8, 1200 staircase tower first step support, h. 58mm, Z C	10	14	18	22	26	30	34	38	42	46	50	54	58			
3150201621	SM8, ledger 1500 mm, Z C	27	38	49	60	71	82	93	104	115	126	137	148	159			
3150201641	SM8, toeboard, 1500 mm, Z S	5	7	9	11	13	15	17	19	21	23	25	27	29			
3150201651	SM8, vertical diagonal brace 1500x2000 mm, Z C	4	6	8	10	12	14	16	18	20	22	24	26	28			
3150201661	SM8, sectional vertical diagonal brace 3000x2000 mm, Z C	3	5	7	9	11	13	15	17	19	21	23	25	27			
3150201671	SM8, lowered beam 1500 mm, Z C	4	6	8	10	12	14	16	18	20	22	24	26	28			
3150201711	SM8, 1200 staircase tower, deck filler 200x3000 mm with clamp, Z C	2	3	4	5	6	7	8	9	10	11	12	13	14			
3150201721	SM8, steel decking filler 1500 mm with clamp, Z C	2	3	4	5	6	7	8	9	10	11	12	13	14			
3150202001	SM8, 1200 staircase tower right parapet 1800 mm, Z C	4	6	8	10	12	14	16	18	20	22	24	26	28			
3150202011	SM8, 1200 staircase tower left parapet 1800 mm, Z C	4	6	8	10	12	14	16	18	20	22	24	26	28			
3150400361	SM8, horizontal brace 3000x1500 mm, Z C	1	1	1	1	1	1	1	1	1	1	1	1	1	1		
3150500121	SM8, vertical brace 1800x2000 mm, Z C	5	8	11	14	17	20	23	26	29	32	35	38	41			
3150700211	SM8, top end Z C	2	2	2	2	2	2	2	2	2	2	2	2	2	2		
6010203381	Screw M 8x20 5739.8 ZN	208	304	400	496	592	688	784	880	976	1072	1168	1264	1360			
6010400861	Nut 5588 M 8 S	208	304	400	496	592	688	784	880	976	1072	1168	1264	1360			
6010520881	Washer M08 UN1751	208	304	400	496	592	688	784	880	976	1072	1168	1264	1360			

Staircase Total Weight in Kg 1617 2353 3090 3826 4563 5299 6035 6772 7508 8245 8981 9718 10454

2.2 Scheme



Go to next page to see how to mantle uprights

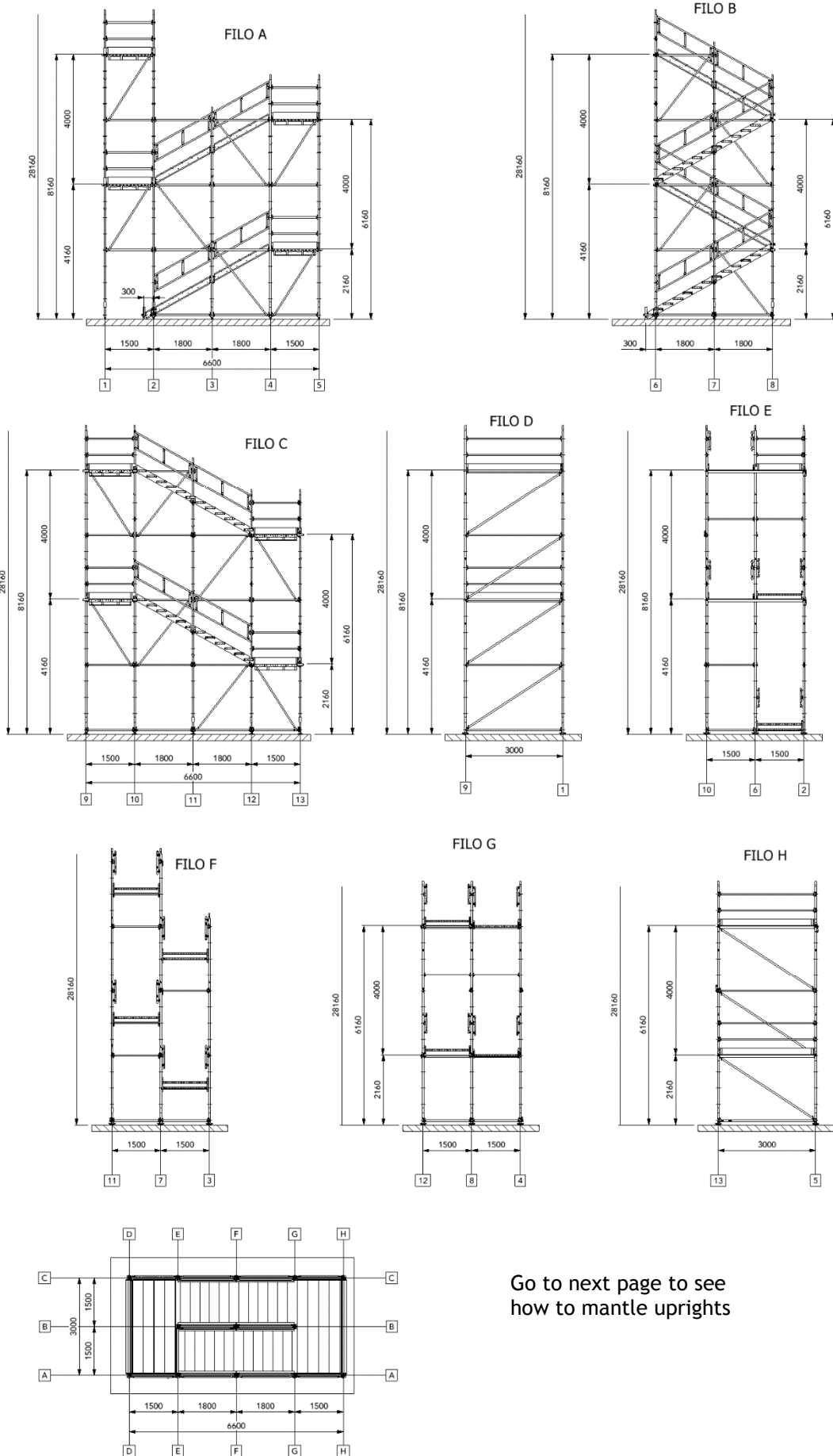
2.3 Installation procedures

HOW TO MANTLE THE LEDGERS FROM THE LOWER LEVEL													
H (m)	1	2	3	4	5	6	7	8	9	10	11	12	13
4,34	M 3 M2,5	M 3 M2,5	M2 M2,5	M2 M1,5	M2 M1,5	M3 M2,5	M2 M2,5	M2 M1,5	M3 M2,5	M3 M2,5	M2,5 M2,5	M2 M1,5	M2 M1,5
6,34	M 3 M2,5	M 3 M2,5	M2,5 2xM2	M2 M1,5 2xM2	M2 M1,5 2xM2	M3 M2,5	M2 M2,5 M2	M2 M1,5 2xM2	M3 M2,5	M3 M2,5	M2 M2,5	M2 M1,5 2xM2	M2 M1,5 2xM2
8,34	M3 M2,5 2xM2	M3 M2,5 2xM2	M2,5 M2 2xM2	M2 M1,5 2xM2	M2 M1,5 2xM2	M3 M2,5 2xM2	M2 M2,5 2xM2	M2 M1,5 2xM2	M3 M2,5 2xM2	M3 M2,5 2xM2	M2 M2,5 2xM2	M2 M1,5 2xM2	M2 M1,5 2xM2
10,34	M3 M2,5 2xM2	M3 M2,5 2xM2	M2,5 4xM2	M2 M1,5 4xM2	M2 M1,5 4xM2	M3 M2,5 2xM2	M2 M2,5 3xM2	M2 M1,5 4xM2	M3 M2,5 2xM2	M3 M2,5 2xM2	M2 M2,5 2xM2	M2 M1,5 4xM2	M2 M1,5 4xM2
12,34	M3 M2,5 3xM2	M3 M2,5 3xM2	M2,5 4xM2	M2 M1,5 4xM2	M2 M1,5 4xM2	M3 M2,5 4xM2	M2 M2,5 4xM2	M2 M1,5 4xM2	M3 M2,5 4xM2	M3 M2,5 4xM2	M2 M2,5 4xM2	M2 M1,5 4xM2	M2 M1,5 4xM2
14,34	M3 M2,5 4xM2	M3 M2,5 4xM2	M2,5 6xM2	M2 M1,5 6xM2	M2 M1,5 6xM2	M3 M2,5 4xM2	M2 M2,5 5xM2	M2 M1,5 6xM2	M3 M2,5 4xM2	M3 M2,5 4xM2	M2 M2,5 4xM2	M2 M1,5 6xM2	M2 M1,5 6xM2
16,34	M3 M2,5 6xM2	M3 M2,5 6xM2	M2,5 6xM2	M2 M1,5 6xM2	M2 M1,5 6xM2	M3 M2,5 6xM2	M2 M2,5 6xM2	M2 M1,5 6xM2	M3 M2,5 6xM2	M3 M2,5 6xM2	M2 M2,5 6xM2	M2 M1,5 6xM2	M2 M1,5 6xM2
18,34	M3 M2,5 6xM2	M3 M2,5 6xM2	M2,5 8xM2	M2 M1,5 8xM2	M2 M1,5 8xM2	M3 M2,5 6xM2	M2 M2,5 7xM2	M2 M1,5 8xM2	M3 M2,5 6xM2	M3 M2,5 6xM2	M2 M2,5 6xM2	M2 M1,5 8xM2	M2 M1,5 8xM2
20,34	M3 M2,5 8xM2	M3 M2,5 8xM2	M2,5 8xM2	M2 M1,5 8xM2	M2 M1,5 8xM2	M3 M2,5 8xM2	M2 M2,5 8xM2	M2 M1,5 8xM2	M3 M2,5 8xM2	M3 M2,5 8xM2	M2 M2,5 8xM2	M2 M1,5 8xM2	M2 M1,5 8xM2
22,34	M3 M2,5 8xM2	M3 M2,5 8xM2	M2,5 10xM2	M2 M1,5 10xM2	M2 M1,5 10xM2	M3 M2,5 8xM2	M2 M2,5 9xM2	M2 M1,5 10xM2	M3 M2,5 8xM2	M3 M2,5 8xM2	M2 M2,5 8xM2	M2 M1,5 10xM2	M2 M1,5 10xM2
24,34	M3 M2,5 10xM2	M3 M2,5 10xM2	M2,5 10xM2	M2 M1,5 10xM2	M2 M1,5 10xM2	M3 M2,5 10xM2	M2 M2,5 10xM2	M2 M1,5 10xM2	M3 M2,5 10xM2	M3 M2,5 10xM2	M2 M2,5 10xM2	M2 M1,5 10xM2	M2 M1,5 10xM2
26,34	M3 M2,5 10xM2	M3 M2,5 10xM2	M2,5 12xM2	M2 M1,5 12xM2	M2 M1,5 12xM2	M3 M2,5 10xM2	M2 M2,5 11xM2	M2 M1,5 12xM2	M3 M2,5 10xM2	M3 M2,5 10xM2	M2 M2,5 10xM2	M2 M1,5 12xM2	M2 M1,5 12xM2
28,34	M3 M2,5 12xM2	M3 M2,5 12xM2	M2,5 12xM2	M2 M1,5 12xM2	M2 M1,5 12xM2	M3 M2,5 12xM2	M2 M2,5 12xM2	M2 M1,5 12xM2	M3 M2,5 12xM2	M3 M2,5 12xM2	M2 M2,5 12xM2	M2 M1,5 12xM2	M2 M1,5 12xM2

3. Staiacasse SM8/1200 from 3,0x6,6 meters. Starting with 1 step. Ramps from 1,80 meters.
4. Composition

Code	Description	Last landing Height in meters													
		4,16	6,16	8,16	10,16	12,16	14,16	16,16	18,16	20,16	22,16	24,16	26,16	28,16	
3040501062	330 mm adjustable base jack, Z.E.L.	15	15	15	15	15	15	15	15	15	15	15	15	15	15
3040701006	10 mm diameter spigot pin, Z.T.R.	7	20	33	46	59	72	85	98	111	124	137	150	163	163
3070102071	330x3000x75 mm SECURIDECK steel plank, Z.S.	8	12	16	20	24	28	32	36	40	44	48	52	56	56
3150100111	SM8, upright with pin 3000 mm, Z.C.	10	10	10	10	10	10	10	10	10	10	10	10	10	10
3150100131	SM8, upright with pin 2000 mm, Z.C.	10	23	36	49	62	75	88	101	114	127	140	153	166	166
3150100171	SM8, initial component	13	13	13	13	13	13	13	13	13	13	13	13	13	13
3150200251	SM8, ledger 1800 mm, Z.C.	14	20	26	32	38	44	50	56	62	68	74	80	86	86
3150200541	SM8, ledger 3000 mm, Z.C.	7	10	13	16	19	22	25	28	31	34	37	40	43	43
3150200681	SM8, toeboard 3000 mm, Z.S.	2	3	4	5	6	7	8	9	10	11	12	13	14	14
3150201511	SM8, 1200 staircase tower right stringer, 1800x6 steps, Z.C.	4	6	8	10	12	14	16	18	20	22	24	26	28	28
3150201521	SM8, 1200 staircase tower left stringer, 1800x6 steps, Z.C.	4	6	8	10	12	14	16	18	20	22	24	26	28	28
3150201591	SM8, 1200 staircase tower ABA/GF step, 1350mm, Z.C.	25	37	49	61	73	85	97	109	121	133	145	157	169	169
3150201601	SM8, 1200 staircase tower typ. step support, h. 58mm, Z.C.	40	60	80	100	120	140	160	180	200	220	240	260	280	280
3150201611	SM8, 1200 staircase tower first step support, h. 58mm, Z.C.	10	14	18	22	26	30	34	38	42	46	50	54	58	58
3150201621	SM8, ledger 1500 mm, Z.C.	27	38	49	60	71	82	93	104	115	126	137	148	159	159
3150201641	SM8, toeboard, 1500 mm, Z.S.	5	7	9	11	13	15	17	19	21	23	25	27	29	29
3150201651	SM8, vertical diagonal brace 1500x2000 mm, Z.C.	4	6	8	10	12	14	16	18	20	22	24	26	28	28
3150201661	SM8, sectional vertical diagonal brace 3000x2000 mm, Z.C.	3	5	7	9	11	13	15	17	19	21	23	25	27	27
3150201671	SM8, lowered beam 1500 mm, Z.C.	4	6	8	10	12	14	16	18	20	22	24	26	28	28
3150201711	SM8, 1200 staircase tower, deck filler 200x3000 mm with clamp, Z.C.	2	3	4	5	6	7	8	9	10	11	12	13	14	14
3150201721	SM8, steel decking filler 1500 mm with clamp, Z.C.	2	3	4	5	6	7	8	9	10	11	12	13	14	14
3150201911	SM8, 1200 staircase tower right stringer, 300 x 1 step, Z.C.	1	1	1	1	1	1	1	1	1	1	1	1	1	1
3150201921	SM8, 1200 staircase tower left stringer, 300 x 1 step, Z.C.	1	1	1	1	1	1	1	1	1	1	1	1	1	1
3150202001	SM8, 1200 staircase tower right parapet 1800 mm, Z.C.	4	6	8	10	12	14	16	18	20	22	24	26	28	28
3150202011	SM8, 1200 staircase tower left parapet 1800 mm, Z.C.	4	6	8	10	12	14	16	18	20	22	24	26	28	28
3150400361	SM8, horizontal brace 3000x1500 mm, Z.C.	1	1	1	1	1	1	1	1	1	1	1	1	1	1
3150500121	SM8, vertical brace 1800x2000 mm, Z.C.	5	8	11	14	17	20	23	26	29	32	35	38	41	41
3150700211	SM8, top end Z.C.	2	2	2	2	2	2	2	2	2	2	2	2	2	2
6010203381	Screw M 8x20 5739 8.8 ZN	200	296	392	488	584	680	776	872	968	1064	1160	1256	1352	1352
6010400661	Nut 5588 M 8 S	200	296	392	488	584	680	776	872	968	1064	1160	1256	1352	1352
6010520681	Washer M08 UNI1751	200	296	392	488	584	680	776	872	968	1064	1160	1256	1352	1352
Staircase Total Weight in Kg		1599	2335	3072	3808	4545	5281	6018	6754	7471	8202	8939	9670	10406	10406

4.2 Scheme



3.3 Installation procedures

HOW TO MANTLE THE LEDGERS FROM THE LOWER LEVEL													
H (m)	1	2	3	4	5	6	7	8	9	10	11	12	13
4,16	M3 M2	M3 M2	M2	M3	M3	M3 M2	2xM2	M3	M3 M2	M3 M2	2xM2	M3	M3
6,16	M3 M2	M3 M2	3xM2	M3 2xM2	M3 2xM2	M3 M2	3xM2	M3 2xM2	M3 M2	M3 M2	2xM2	M3 2xM2	M3 2xM2
8,16	M3 3xM2	M3 3xM2	3xM2	M3 2xM2	M3 2xM2	M3 3xM2	4xM2	M3 2xM2	M3 3xM2	M3 3xM2	4xM2	M3 2xM2	M3 2xM2
10,1 6	M3 3xM2	M3 3xM2	5xM2	M3 4xM2	M3 4xM2	M3 3xM2	5xM2	M3 4xM2	M3 3xM2	M3 3xM2	4xM2	M3 4xM2	M3 4xM2
12,1 6	M3 5xM2	M3 5xM2	5xM2	M3 4xM2	M3 4xM2	M3 5xM2	6xM2	M3 4xM2	M3 5xM2	M3 5xM2	6xM2	M3 4xM2	M3 4xM2
14,1 6	M3 5xM2	M3 5xM2	7xM2	M3 6xM2	M3 6xM2	M3 5xM2	7xM2	M3 6xM2	M3 5xM2	M3 5xM2	6xM2	M3 6xM2	M3 6xM2
16,1 6	M3 7xM2	M3 7xM2	7xM2	M3 6xM2	M3 6xM2	M3 7xM2	8xM2	M3 6xM2	M3 7xM2	M3 7xM2	8xM2	M3 6xM2	M3 6xM2
18,1 6	M3 7xM2	M3 7xM2	9xM2	M3 8xM2	M3 8xM2	M3 7xM2	9xM2	M3 8xM2	M3 7xM2	M3 7xM2	8xM2	M3 8xM2	M3 8xM2
20,1 6	M3 9xM2	M3 9xM2	9xM2	M3 8xM2	M3 8xM2	M3 9xM2	10xM 2	M3 8xM2	M3 9xM2	M3 9xM2	10xM 2	M3 8xM2	M3 8xM2
22,1 6	M3 9xM2	M3 9xM2	11xM 2	M3 10xM 2	M3 10xM 2	M3 9xM2	11xM 2	M3 10xM 2	M3 9xM2	M3 9xM2	10xM 2	M3 10xM 2	M3 10xM 2
24,1 6	M3 11xM 2	M3 11xM 2	11xM 2	M3 10xM 2	M3 10xM 2	M3 11xM 2	12xM 2	M3 10xM 2	M3 11xM 2	M3 11xM 2	12xM 2	M3 10xM 2	M3 10xM 2
26,1 6	M3 11xM 2	M3 11xM 2	13xM 2	M3 12xM 2	M3 12xM 2	M3 11xM 2	13xM 2	M3 12xM 2	M3 11xM 2	M3 11xM 2	12xM 2	M3 12xM 2	M3 12xM 2
28,1 6	M3 13xM 2	M3 13xM 2	13xM 2	M3 12xM 2	M3 12xM 2	M3 13xM 2	14xM 2	M3 12xM 2	M3 13xM 2	M3 13xM 2	14xM 2	M3 12xM 2	M3 12xM 2

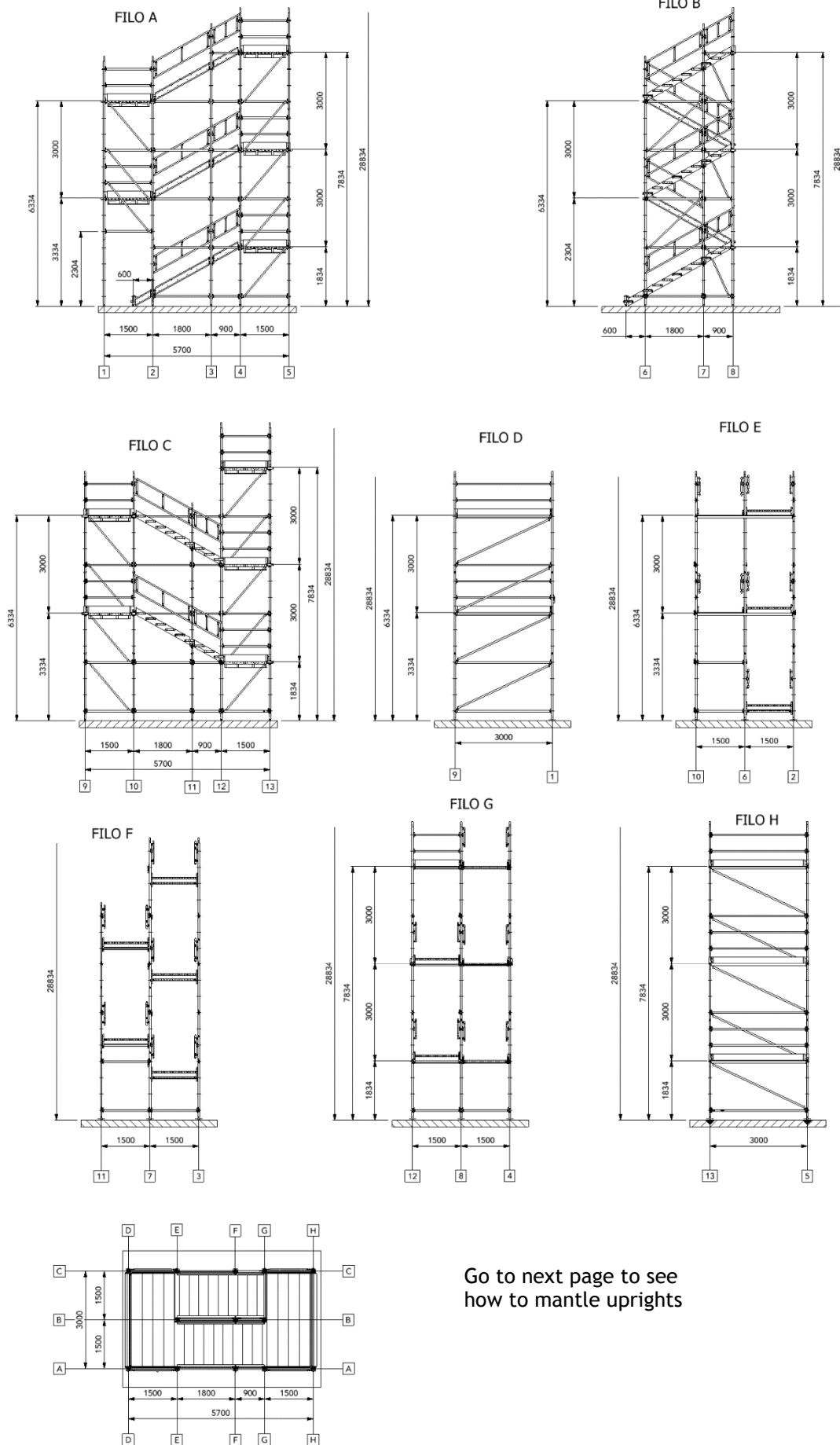
4. Staircase SM8/1200 from 3,0x5,7 meters. Starting with 2 steps - Ramps from 1,80 + 0,9 meters metri
4.1 Composition

Code	Description	Last landing height in meters																
		3,33	4,83	6,33	7,83	9,33	10,83	12,33	13,83	15,33	16,83	18,33	19,83	21,33	22,83	24,33	25,83	27,33
3040500562	330 mm adjustable base jock, Z.E.L.	15	15	15	15	15	15	15	15	15	15	15	15	15	15	15	15	15
3040701006	10 mm diameter spigot pin, Z.T.R.	7	14	20	27	33	40	46	53	59	66	72	79	85	92	98	105	111
3070020271	330x300x75 mm SECURDECK steel plank, Z.S.	8	12	16	20	24	28	32	36	40	44	48	52	56	60	64	68	72
3150100111	SM8, upright with pin 3000 mm, Z.C.	5	11	16	22	29	35	42	48	55	61	68	74	81	87	94	100	107
3150100121	SM8, upright with pin 2500 mm, Z.C.	6	6	6	6	6	6	6	6	6	6	6	6	6	6	6	6	6
3150100131	SM8, upright with pin 2000 mm, Z.C.	7	6	9	10	9	10	9	10	9	10	9	10	9	10	9	10	9
3150100141	SM8, upright with pin 1500 mm, Z.C.	2	2															
3150200251	SM8, ledger 1800 mm, Z.C.	8	9	14	15	20	21	26	27	32	33	38	39	44	45	50	51	56
3150200541	SM8, ledger 3000 mm, Z.C.	7	10	13	16	19	22	25	28	31	34	37	40	43	46	49	52	55
3150200681	SM8, toeboard 3000 mm, Z.S.	2	3	4	5	6	7	8	9	10	11	12	13	14	15	16	17	18
3150201511	SM8, 1200 staircase tower right stringer, 1800 x 6 steps, Z.C.	2	3	4	5	6	7	8	9	10	11	12	13	14	15	16	17	18
3150201521	SM8, 1200 staircase tower left stringer, 1800 x 6 steps, Z.C.	2	3	4	5	6	7	8	9	10	11	12	13	14	15	16	17	18
3150201551	SM8, 1200 staircase tower right stringer, 600 x 2 steps, Z.C.	1	1	1	1	1	1	1	1	1	1	1	1	1	1	1	1	1
3150201561	SM8, 1200 staircase tower left stringer, 600 x 2 steps, Z.C.	1	1	1	1	1	1	1	1	1	1	1	1	1	1	1	1	1
3150201591	SM8, 1200 staircase tower ABA GF step, 1350mm, Z.C.	20	29	38	47	56	65	74	83	92	101	110	119	128	137	146	155	164
3150201601	SM8, 1200 staircase tower top step support, h. 58mm, Z.C.	30	44	58	72	86	100	114	128	142	156	170	184	198	212	226	240	254
3150201611	SM8, 1200 staircase tower first step support, h. 58mm, Z.C.	10	14	18	22	26	30	34	38	42	46	50	54	58	62	66	70	74
3150201621	SM8, ledger 1500 mm, Z.C.	27	35	43	51	59	67	75	83	91	99	107	115	123	131	139	147	155
3150201641	SM8, toeboard, 1500 mm, Z.S.	5	7	9	11	13	15	17	19	21	23	25	27	29	31	33	35	37
3150201671	SM8, lowered beam 1500 mm, Z.C.	4	6	8	10	12	14	16	18	20	22	24	26	28	30	32	34	36
3150201711	SM8, 1200 staircase tower, deck filler 200x3000 mm with clamp, Z.C.	2	3	4	5	6	7	8	9	10	11	12	13	14	15	16	17	18
3150201721	SM8, steel decking filler 1500 mm with clamp, Z.C.	2	3	4	5	6	7	8	9	10	11	12	13	14	15	16	17	18
3150201931	SM8, 1200 staircase tower right stringer, 900 x 3 steps, Z.C.	2	3	4	5	6	7	8	9	10	11	12	13	14	15	16	17	18
3150201941	SM8, 1200 staircase tower left stringer, 900 x 3 steps, Z.C.	2	3	4	5	6	7	8	9	10	11	12	13	14	15	16	17	18
3150201951	SM8, vertical brace 1500x1500 mm, Z.C.	5	9	13	17	21	25	29	33	37	41	45	49	53	57	61	65	69
3150201961	SM8, vertical brace 900x1500 mm, Z.C.	1	2	2	3	3	5	5	7	7	9	9	11	11	13	13	15	15
3150201971	SM8, vertical brace 3000x1500 mm, Z.C.	3	5	7	9	11	13	15	17	19	21	23	25	27	29	31	33	35
3150201981	SM8, 1200 staircase tower right parapet 300 mm, Z.C.	2	3	4	5	6	7	8	9	10	11	12	13	14	15	16	17	18
3150201991	SM8, 1200 staircase tower left parapet 300 mm, Z.C.	2	3	4	5	6	7	8	9	10	11	12	13	14	15	16	17	18
3150202001	SM8, 1200 staircase tower right parapet 1800 mm, Z.C.	2	3	4	5	6	7	8	9	10	11	12	13	14	15	16	17	18
3150202011	SM8, 1200 staircase tower left parapet 1800 mm, Z.C.	2	3	4	5	6	7	8	9	10	11	12	13	14	15	16	17	18
3150300241	SM8, ledger 300 mm, Z.C.	6	11	12	17	18	23	24	29	30	35	36	41	42	47	48	53	54
3150400361	SM8, horizontal brace 3000x1500 mm, Z.C.	1	1	1	1	1	1	1	1	1	1	1	1	1	1	1	1	1
3150500231	SM8, vertical brace 1800x1500 mm, Z.C.	1	1	2	2	2	3	3	4	4	5	5	6	6	7	7	8	8
3150700211	SM8, top end Z.C.	2	2	2	2	2	2	2	2	2	2	2	2	2	2	2	2	2
6010203381	Screw M 8x20 5739 8.8 ZN	160	232	304	376	448	520	592	664	736	808	880	952	1024	1096	1168	1240	1312
6010400861	Nut 5588 M 8 6.S	160	232	304	376	448	520	592	664	736	808	880	952	1024	1096	1168	1240	1312
6010520681	Washer M8x8 UMMT51	160	232	304	376	448	520	592	664	736	808	880	952	1024	1096	1168	1240	1312

Staircase Total Weight in Kg

1400	1938	2604	3203	3809	4416	5022	5629	6235	6842	7447	8055	8661	9268	9874	10481	11087
------	------	------	------	------	------	------	------	------	------	------	------	------	------	------	-------	-------

4.2 Scheme



Go to next page to see how to mantle uprights

4.3 Installation procedures

HOW TO MANTLE THE LEDGERS FROM THE LOWER LEVEL													
H (m)	1	2	3	4	5	6	7	8	9	10	11	12	13
3,33	M2 M2,5	M2 M2,5	M2,5	M3	M3	M2 M2,5	M2 M1,5	M2,5	M2 M2,5	M2 M2,5	M2 M1,5	M3	M3
4,83	M2 M2,5	M2 M2,5	M2,5 M3	2xM3	2xM3	M2 M2,5	M2 M1,5 M2	2xM3	M2 M2,5	M2 M2,5	M2 M1,5	2xM3	2xM3
6,33	M2 M2,5 M3	M2 M2,5 M3	M2,5 M3	2xM3	2xM3	M2 M2,5 M3	2xM2 M2,5	2xM3	M2 M2,5 M3	M2 M2,5 M3	2xM2 M2,5	2xM3	2xM3
7,83	M2 M2,5 M3	M2 M2,5 M3	M2,5 2xM3	3xM3	3xM3	M2 M2,5 M3	2xM2 M2,5 M2	3xM3	M2 M2,5 M3	M2 M2,5 M3	2xM2 M2,5	3xM3	3xM3
9,33	M2 M2,5 2xM3	M2 M2,5 2xM3	M2,5 2xM3	3xM3	3xM3	M2 M2,5 2xM3	2xM2 M2,5 M3	3xM3	M2 M2,5 2xM3	M2 M2,5 2xM3	2xM2 M2,5 M3	3xM3	3xM3
10,83	M2 M2,5 2xM3	M2 M2,5 2xM3	M2,5 3xM3	4xM3	4xM3	M2 M2,5 2xM3	2xM2 M2,5 M3 M2	4xM3	M2 M2,5 2xM3	M2 M2,5 2xM3	2xM2 M2,5 M3	4xM3	4xM3
12,33	M2 M2,5 3xM3	M2 M2,5 3xM3	M2,5 3xM3	4xM3	4xM3	M2 M2,5 3xM3	2xM2 M2,5 2xM3	4xM3	M2 M2,5 3xM3	M2 M2,5 3xM3	2xM2 M2,5 M3	4xM3	4xM3
13,83	M2 M2,5 3xM3	M2 M2,5 3xM3	M2,5 4xM3	5xM3	5xM3	M2 M2,5 3xM3	2xM2 M2,5 2xM3 M2	5xM3	M2 M2,5 3xM3	M2 M2,5 3xM3	2xM2 M2,5 2xM3	5xM3	5xM3
15,33	M2 M2,5 4xM3	M2 M2,5 4xM3	M2,5 4xM3	5xM3	5xM3	M2 M2,5 4xM3	2xM2 M2,5 3xM3	5xM3	M2 M2,5 4xM3	M2 M2,5 4xM3	2xM2 M2,5 3xM3	5xM3	5xM3
16,83	M2 M2,5 4xM3	M2 M2,5 4xM3	M2,5 5xM3	6xM3	6xM3	M2 M2,5 4xM3	2xM2 M2,5 3xM3 M2	6xM3	M2 M2,5 4xM3	M2 M2,5 4xM3	2xM2 M2,5 3xM3	6xM3	6xM3
18,33	M2 M2,5 5xM3	M2 M2,5 5xM3	M2,5 5xM3	6xM3	6xM3	M2 M2,5 5xM3	2xM2 M2,5 4xM3	6xM3	M2 M2,5 5xM3	M2 M2,5 5xM3	2xM2 M2,5 4xM3	6xM3	6xM3
19,83	M2 M2,5 5xM3	M2 M2,5 5xM3	M2,5 6xM3	7xM3	7xM3	M2 M2,5 5xM3	2xM2 M2,5 4xM3 M2	7xM3	M2 M2,5 5xM3	M2 M2,5 5xM3	2xM2 M2,5 4xM3	7xM3	7xM3
21,33	M2 M2,5 6xM3	M2 M2,5 6xM3	M2,5 6xM3	7xM3	7xM3	M2 M2,5 6xM3	2xM2 M2,5 5xM3	7xM3	M2 M2,5 6xM3	M2 M2,5 6xM3	2xM2 M2,5 5xM3	7xM3	7xM3
22,83	M2 M2,5 6xM3	M2 M2,5 6xM3	M2,5 7xM3	8xM3	8xM3	M2 M2,5 6xM3	2xM2 M2,5 5xM3 M2	8xM3	M2 M2,5 6xM3	M2 M2,5 6xM3	2xM2 M2,5 5xM3	8xM3	8xM3
24,33	M2 M2,5 7xM3	M2 M2,5 7xM3	M2,5 7xM3	8xM3	8xM3	M2 M2,5 7xM3	2xM2 M2,5 6xM3	8xM3	M2 M2,5 7xM3	M2 M2,5 7xM3	2xM2 M2,5 6xM3	8xM3	8xM3
25,83	M2 M2,5 7xM3	M2 M2,5 7xM3	M2,5 8xM3	9xM3	9xM3	M2 M2,5 7xM3	2xM2 M2,5 6xM3 M2	9xM3	M2 M2,5 7xM3	M2 M2,5 7xM3	2xM2 M2,5 6xM3	9xM3	9xM3
27,33	M2 M2,5 8xM3	M2 M2,5 8xM3	M2,5 8xM3	9xM3	9xM3	M2 M2,5 8xM3	2xM2 M2,5 7xM3	9xM3	M2 M2,5 8xM3	M2 M2,5 8xM3	2xM2 M2,5 7xM3	9xM3	9xM3
28,83	M2 M2,5 8xM3	M2 M2,5 8xM3	M2,5 9xM3	10xM3	10xM3	M2 M2,5 8xM3	2xM2 M2,5 8xM3	10xM3	M2 M2,5 8xM3	M2 M2,5 8xM3	2xM2 M2,5 7xM3	10xM3	10xM3

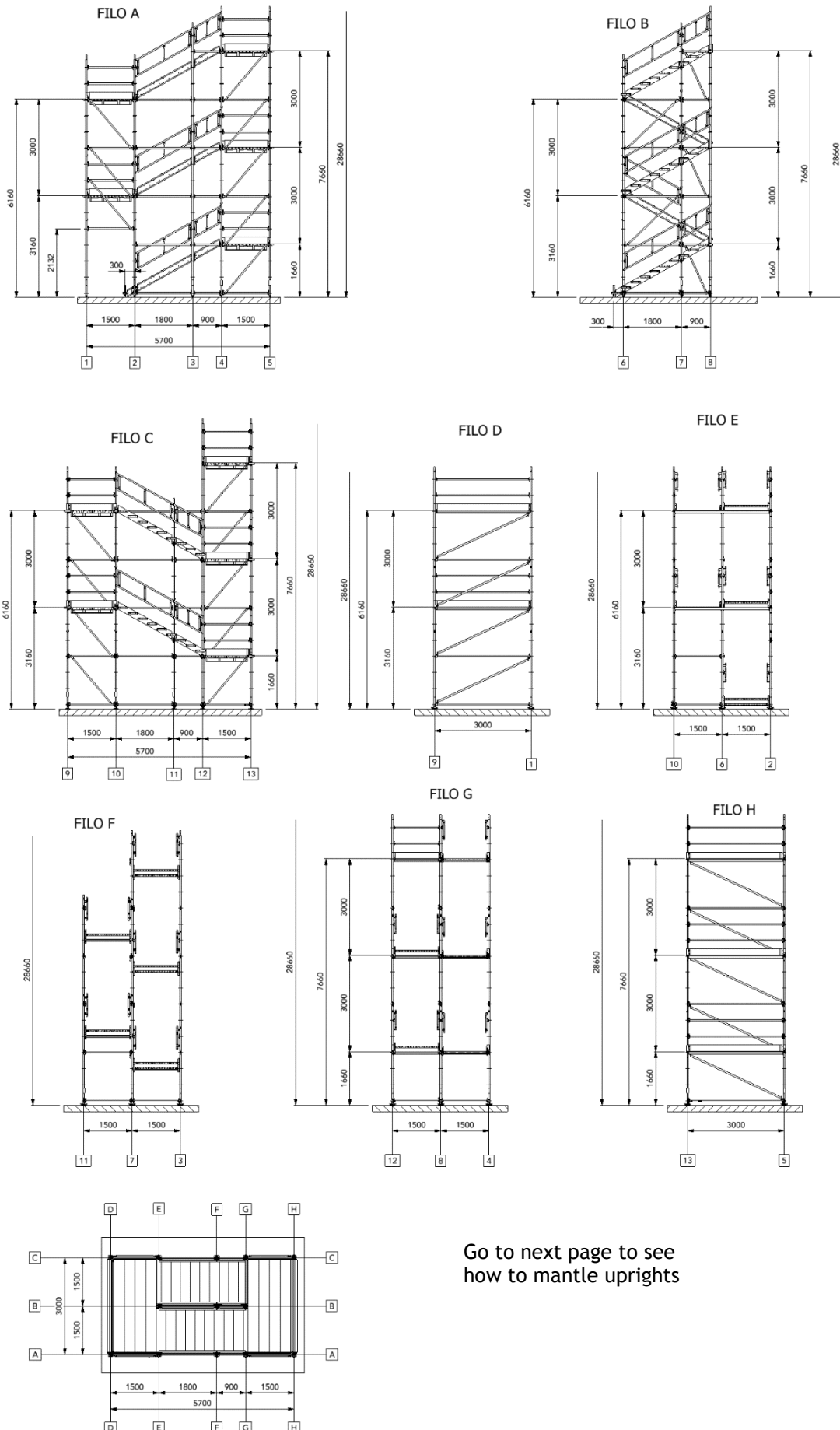
5. Staircase SM8/1200 from 3,0x5,7 meters. Starting with 1 step. Ramps from 1,80 + 0,9 meters
5.1 Composition

Code	Description	Lust landing Height in meters																
		3,16	4,66	6,16	7,66	9,16	10,66	12,16	13,66	15,16	16,66	18,16	19,66	21,16	22,66	24,16	25,66	27,16
3040501062	330 mm adjustable base jack, Z.E.L.	15	15	15	15	15	15	15	15	15	15	15	15	15	15	15	15	15
3040701006	10 mm diameter spigot pin, Z.TP.	5	12	18	24	31	38	44	51	57	64	70	77	83	90	96	103	109
3070102011	330x3000x15 mm SECURDECK steel plank, Z.S.	8	12	16	20	24	28	32	36	40	44	48	52	56	60	64	68	72
3150100011	SM8, upright with pin 3000 mm, Z.C.	2	8	15	21	28	34	41	47	54	60	67	73	80	86	93	99	106
3150100021	SM8, upright with pin 2500 mm, Z.C.	5	5	5	5	5	5	5	5	5	5	5	5	5	5	5	5	5
3150100031	SM8, upright with pin 2000 mm, Z.C.	11	12	11	12	11	12	11	12	11	12	11	12	11	12	11	12	11
3150100071	SM8, initial component	13	13	13	13	13	13	13	13	13	13	13	13	13	13	13	13	13
3150200251	SM8, ledger 1800 mm, Z.C.	8	9	14	15	20	21	26	27	32	33	38	39	44	45	50	51	56
3150200541	SM8, ledger 3000 mm, Z.C.	7	10	13	16	19	22	25	28	31	34	37	40	43	46	49	52	55
3150200681	SM8, toeboard 3000 mm, Z.S.	2	3	4	5	6	7	8	9	10	11	12	13	14	15	16	17	18
3150201511	SM8, 1200 staircase tower right stringer, 1800 x 6 steps, Z.C.	2	3	4	5	6	7	8	9	10	11	12	13	14	15	16	17	18
3150201521	SM8, 1200 staircase tower left stringer, 1800 x 6 steps, Z.C.	2	3	4	5	6	7	8	9	10	11	12	13	14	15	16	17	18
3150201531	SM8, 1200 staircase tower ABA GF step, 1350mm, Z.C.	19	28	37	46	55	64	73	82	91	100	109	118	127	136	145	154	163
3150201601	SM8, 1200 staircase tower top support, h.58mm, Z.C.	28	42	56	70	84	98	112	126	140	154	168	182	196	210	224	238	252
3150201611	SM8, 1200 staircase tower first step support, h.58mm, Z.C.	10	14	18	22	26	30	34	38	42	46	50	54	58	62	66	70	74
3150201621	SM8, ledger 1500 mm, Z.C.	27	35	43	51	59	67	75	83	91	99	107	115	123	131	139	147	155
3150201641	SM8, toeboard, 1500 mm, Z.S.	5	7	9	11	13	15	17	19	21	23	25	27	29	31	33	35	37
3150201671	SM8, lowered beam 1500 mm, Z.C.	4	6	8	10	12	14	16	18	20	22	24	26	28	30	32	34	36
3150201711	SM8, 1200 staircase tower, deck filler 200x3000 mm with clamp, Z	2	3	4	5	6	7	8	9	10	11	12	13	14	15	16	17	18
3150201721	SM8, steel decking filler 1500 mm with clamp, Z.C.	2	3	4	5	6	7	8	9	10	11	12	13	14	15	16	17	18
3150201811	SM8, 1200 staircase tower right stringer, 300 x 1 step, Z.C.	1	1	1	1	1	1	1	1	1	1	1	1	1	1	1	1	1
3150201821	SM8, 1200 staircase tower left stringer, 300 x 1 step, Z.C.	1	1	1	1	1	1	1	1	1	1	1	1	1	1	1	1	1
3150201931	SM8, 1200 staircase tower right stringer, 900 x 3 steps, Z.C.	2	3	4	5	6	7	8	9	10	11	12	13	14	15	16	17	18
3150201941	SM8, 1200 staircase tower left stringer, 900 x 3 steps, Z.C.	2	3	4	5	6	7	8	9	10	11	12	13	14	15	16	17	18
3150201951	SM8, vertical brace 1500x1500 mm, Z.C.	5	9	13	17	21	25	29	33	37	41	45	49	53	57	61	65	69
3150201961	SM8, vertical brace 900x1500 mm, Z.C.	1	2	2	3	3	4	4	5	5	6	6	7	7	8	8	9	9
3150201971	SM8, vertical brace 3000x1500 mm, Z.C.	3	5	7	9	11	13	15	17	19	21	23	25	27	29	31	33	35
3150201981	SM8, 1200 staircase tower right parapet 300 mm, Z.C.	2	3	4	5	6	7	8	9	10	11	12	13	14	15	16	17	18
3150201991	SM8, 1200 staircase tower left parapet 300 mm, Z.C.	2	3	4	5	6	7	8	9	10	11	12	13	14	15	16	17	18
3150202001	SM8, 1200 staircase tower right parapet 1800 mm, Z.C.	2	3	4	5	6	7	8	9	10	11	12	13	14	15	16	17	18
3150202011	SM8, 1200 staircase tower left parapet 1800 mm, Z.C.	2	3	4	5	6	7	8	9	10	11	12	13	14	15	16	17	18
3150300241	SM8, ledger 900 mm, Z.C.	6	11	12	17	18	23	24	29	30	35	36	41	42	47	48	53	54
3150400361	SM8, horizontal brace 3000x1500 mm, Z.C.	1	1	1	1	1	1	1	1	1	1	1	1	1	1	1	1	1
3150500231	SM8, vertical brace 1800x1500 mm, Z.C.	1	1	2	2	3	3	4	4	5	5	6	6	7	7	8	8	9
3150700021	SM8, top end Z.C.	2	2	2	2	2	2	2	2	2	2	2	2	2	2	2	2	2
6010200381	Screw M 8x20 5733 8.8 ZN	152	224	236	368	440	512	584	656	728	800	872	944	1016	1088	1160	1232	1304
6010400861	Nut 5588 M 8 6.3	152	224	236	368	440	512	584	656	728	800	872	944	1016	1088	1160	1232	1304
6010520881	Washer M08 LUMI751	152	224	236	368	440	512	584	656	728	800	872	944	1016	1088	1160	1232	1304

Staircase Total Weight in Kg

1363	1863	2588	3187	4398	4998	5597	6202	6801	7407	8006	8612	9211	9817	10416	11021
------	------	------	------	------	------	------	------	------	------	------	------	------	------	-------	-------

5.2 Scheme



Go to next page to see how to mantle uprights

5.3 Installation procedure

HOW TO MANTLE THE LEDGERS FROM THE LOWER LEVEL													
H (m)	A	B	C	D	E	F	G	H	I	L	M	N	O
3,16	2xM2	2xM2	M2	M2,5	M2,5	2xM2	M3	M2,5	2xM2	2xM2	M3	M2,5	M2,5
4,66	2xM2	2xM2	M2 M3	M2,5 M3	M2,5 M3	2xM2	M3 M2	M2,5 M3	2xM2	2xM2	M3	M2,5 M3	M2,5 M3
6,16	2xM2 M3	2xM2 M3	M2 M3	M2,5 M3	M2,5 M3	2xM2 M3	2xM3	M2,5 M3	2xM2 M3	2xM2 M3	2xM3	M2,5 M3	M2,5 M3
7,66	2xM2 M3	2xM2 M3	M2 2xM3	M2,5 2xM3	M2,5 2xM3	2xM2 M3	2xM3 M2	M2,5 2xM3	2xM2 M3	2xM2 M3	2xM3	M2,5 2xM3	M2,5 2xM3
9,16	2xM2 2xM3	2xM2 2xM3	M2 2xM3	M2,5 2xM3	M2,5 2xM3	2xM2 2xM3	3xM3	M2,5 2xM3	2xM2 2xM3	2xM2 2xM3	3xM3	M2,5 2xM3	M2,5 2xM3
10,66	2xM2 2xM3	2xM2 2xM3	M2 3xM3	M2,5 3xM3	M2,5 3xM3	2xM2 2xM3	3xM3 M2	M2,5 3xM3	2xM2 2xM3	2xM2 2xM3	3xM3	M2,5 3xM3	M2,5 3xM3
12,16	2xM2 3xM3	2xM2 3xM3	M2 3xM3	M2,5 3xM3	M2,5 3xM3	2xM2 3xM3	4xM3	M2,5 3xM3	2xM2 3xM3	2xM2 3xM3	4xM3	M2,5 3xM3	M2,5 3xM3
13,66	2xM2 3xM3	2xM2 3xM3	M2 4xM3	M2,5 4xM3	M2,5 4xM3	2xM2 3xM3	4xM3 M2	M2,5 4xM3	2xM2 3xM3	2xM2 3xM3	4xM3	M2,5 4xM3	M2,5 4xM3
15,16	2xM2 4xM3	2xM2 4xM3	M2 4xM3	M2,5 4xM3	M2,5 4xM3	2xM2 4xM3	5xM3	M2,5 4xM3	2xM2 4xM3	2xM2 4xM3	5xM3	M2,5 4xM3	M2,5 4xM3
16,66	2xM2 4xM3	2xM2 4xM3	M2 5xM3	M2,5 5xM3	M2,5 5xM3	2xM2 4xM3	5xM3 M2	M2,5 5xM3	2xM2 4xM3	2xM2 4xM3	5xM3	M2,5 5xM3	M2,5 5xM3
18,16	2xM2 5xM3	2xM2 5xM3	M2 5xM3	M2,5 5xM3	M2,5 5xM3	2xM2 5xM3	6xM3	M2,5 5xM3	2xM2 5xM3	2xM2 5xM3	6xM3	M2,5 5xM3	M2,5 5xM3
19,66	2xM2 5xM3	2xM2 5xM3	M2 6xM3	M2,5 6xM3	M2,5 6xM3	2xM2 5xM3	6xM3 M2	M2,5 6xM3	2xM2 5xM3	2xM2 5xM3	6xM3	M2,5 6xM3	M2,5 6xM3
21,16	2xM2 6xM3	2xM2 6xM3	M2 6xM3	M2,5 6xM3	M2,5 6xM3	2xM2 6xM3	7xM3	M2,5 6xM3	2xM2 6xM6	2xM2 6xM6	7xM3	M2,5 6xM3	M2,5 6xM3
22,66	2xM2 6xM3	2xM2 6xM3	M2 7xM3	M2,5 7xM3	M2,5 7xM3	2xM2 6xM3	7xM3 M2	M2,5 7xM3	2xM2 6xM6	2xM2 6xM6	7xM3	M2,5 7xM3	M2,5 7xM3
24,16	2xM2 7xM3	2xM2 7xM3	M2 7xM3	M2,5 7xM3	M2,5 7xM3	2xM2 7xM3	8xM3	M2,5 7xM3	2xM2 7xM3	2xM2 7xM3	8xM3	M2,5 7xM3	M2,5 7xM3
25,66	2xM2 7xM3	2xM2 7xM3	M2 8xM3	M2,5 8xM3	M2,5 8xM3	2xM2 7xM3	8xM3 M2	M2,5 8xM3	2xM2 7xM3	2xM2 7xM3	8xM3	M2,5 8xM3	M2,5 8xM3
27,16	2xM2 8xM3	2xM2 8xM3	M2 8xM3	M2,5 8xM3	M2,5 8xM3	2xM 8xM3	9xM3	M2,5 8xM3	2xM2 8xM3	2xM2 8xM3	9xM3	M2,5 8xM3	M2,5 8xM3
28,66	2xM2 8xM3	2xM2 8xM3	M2 9xM3	M2,5 9xM3	M2,5 9xM3	2xM 8xM3	9xM3 M2	M2,5 8xM3	2xM2 8xM3	2xM2 8xM3	9xM3	M2,5 9xM3	M2,5 9xM3